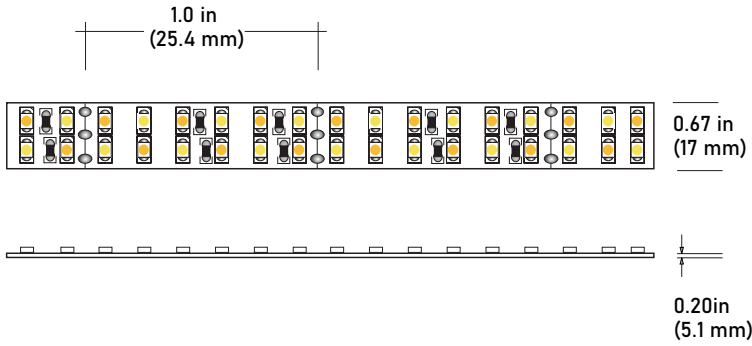


LSMW60MX

6.0W Outdoor Color-Tuning Flexible LED Strip

JOB NAME: _____
LOCATION: _____
QUOTE/REF#: _____



LSMW60MX is an outdoor hybrid version of our popular LSMW60 series. It features combined CCTs in one LED strip ranging from warm 2200K to cool 6000K. Rated to last 50,000 hours, making it an excellent replacement for halogen lighting. Ideal for most common indoor applications.

SPECIFICATIONS

INPUT VOLTAGE	24V DC
POWER CONSUMPTION	6W per foot
LUMEN OUTPUT	500+ Lumens per foot
NO. OF LEDs	72 LEDs per foot
BEAM ANGLE	120°
CRI	90+
DIMMING	MLV, ELV, 0-10V and TRIAC
MAXIMUM RUN LENGTH	16 Feet
FIELD CUTTABLE	Every 1.0 in (25.4MM)
IP RATING	IP65 Wet location (Outdoor)
LUMEN MAINTENANCE	50,000 hrs.
OPERATING TEMPERATURE	-40°F(-40°C)~+140°F(+60°C)
BINNING	1.5 Step Macadam Elipse
CERTIFICATIONS	UL listed
DIMENSIONS	0.67" x 0.20" (width x height)

6.0W
PER FT.

500+
LUMENS

90+
CRI

OUTDOOR

FIELD CUTTABLE

50,000
HOURS

DIMMABLE

FEATURES

- 6.0W per Foot
- 2 Channel Color-Tuning
- 500+ Lumens
- 90+ CRI
- California TITLE 24, JA8 compliant
- 16 Feet Maximum Run Length
- Ideal for accent and ambient lighting
- UL Listed
- Dimmable with CORE dimmable drivers
- Approved for closet / storage space installation per NEC 410.16(A)(3) and 410.16(C)(5)

	COLOR TEMP	CRI	LUMEN/FT
	2200K	94	410
	2500K	95	450
	2700K	98	465
	3000K	98	480
	3500K	97	485
	4000K	96	500
	5000K	95	515
	6000K	95	530

LSMW60MX

6.0W Outdoor Color-Tuning Flexible LED Strip

STANDARD ORDERING CODE

Model	Color Temp A	Color Temp B	Length	Voltage	Profile
LSMW60MX	22K 2200K	30K 3000K	16 16.4 Ft.	24 24 Volts	²See p3 for options
	27K 2700K	40K 4000K	32 32 Ft.		
	30K 3000K	50K 5000K	¹XX per Ft.		
		60K 6000K			

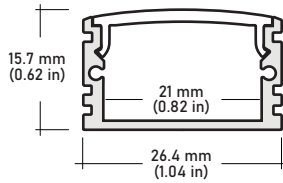
NOTE:

- 1** = Custom length per Ft.
Cuttable every 1"
- 2** = Custom color finishes require powder coating. Allow 7 days lead time.

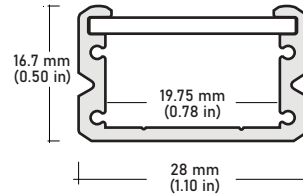
LSMW60MX

6.0W Outdoor Color-Tuning Flexible LED Strip

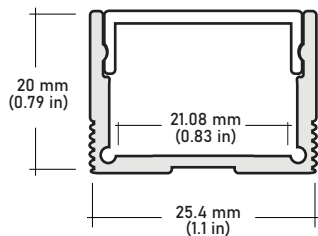
COMPATIBLE ALUMINUM PROFILES



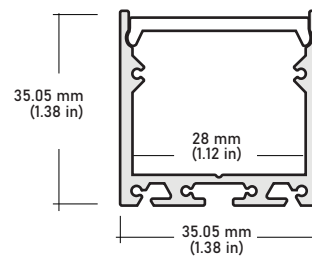
ALU-DS100 Surface Wide
LENGTHS 39^{3/8"} | 78^{7/8"} | 96"
LENS Clear, Frosted
FINISH Silver



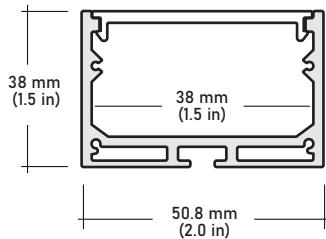
ALP-90 Surface
LENGTHS 48" | 96"
LENS Frosted
FINISH Silver



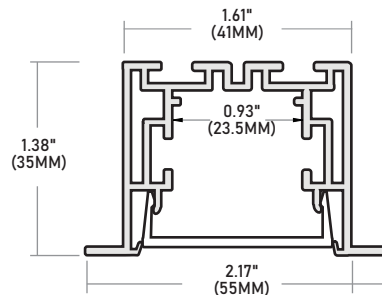
ALP-130 Surface, Suspended
LENGTHS 49.25" | 98.5"
LENS Frosted
FINISH Silver



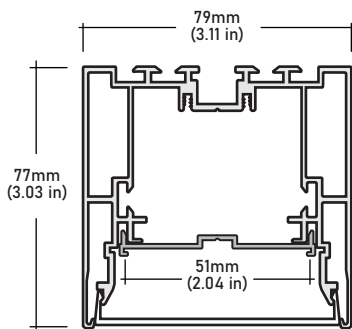
ALP-140 Surface, Suspended
LENGTHS 49.25" | 98.5"
LENS Frosted
FINISH Silver



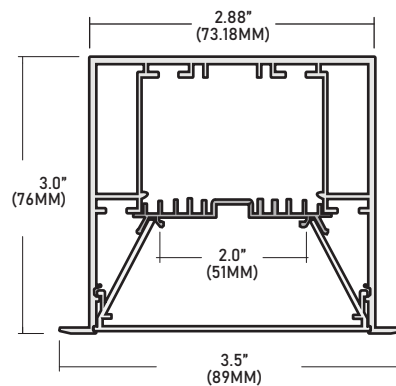
ALP-160 Surface, Suspended
LENGTHS 49.25" | 98.5"
LENS Frosted
FINISH Silver



ALP-210RN Recessed
LENGTHS 49.25" | 98.5"
LENS Frosted
FINISH Silver

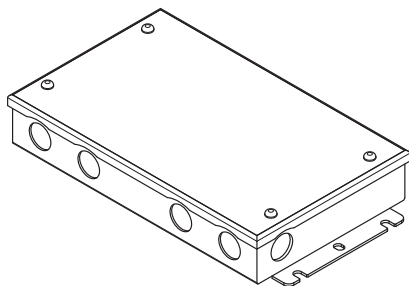


ALP-160 Surface, Suspended
Recessed
LENGTHS 49.25" | 98.5"
LENS Frosted
FINISH Silver



ALP-340R Recessed
LENGTHS 49.25" | 98.5"
LENS Frosted
FINISH Silver

COMPATIBLE TRANSFORMER



PSHK SERIES | NON-DIMMING WITH JUNCTION BOX

PSHK-30W-24V-UNV	CLASS 2	6.5" X 3.6" X 1.02"
PSHK-60W-24V-UNV	CLASS 2	7.4" X 3.62" X 1.02"
PSHK-96W-24V-UNV	CLASS 2	8.66" X 3.66" X 1.61"
PSHK-150W-24V-UNV		10.24" X 4.06" X 1.81"
PSHK-200W-24V-UNV		10.24" X 4.06" X 1.81"
PSHK-300W-24V-UNV		10.94" X 4.25" X 1.81"

DIMMING MODULE



PSDE-TW2-010-CT | TUNABLE WHITE DIMMING MODULE

INPUT VOLTAGE RANGE	8-48V DC
INPUT CURRENT	5.1A MAX (per channel)
INPUT CONTROL	2
MAX OUTPUT CURRENT	5A
MAX OUTPUT POWER	240W
DIMENSIONS	L (3.86") W (1.73") H (0.57")