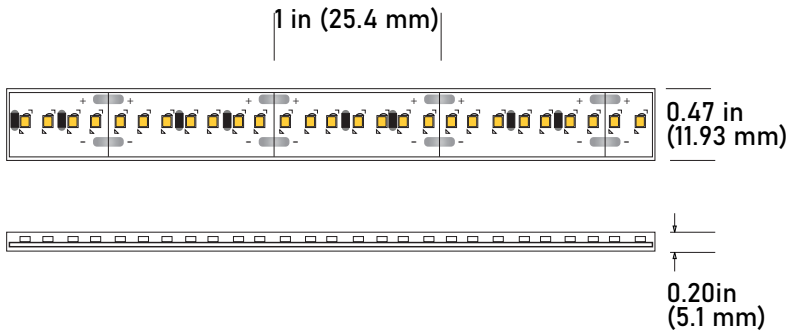


LSMW35

3.0W Outdoor Flexible LED Strip

JOB NAME: _____
LOCATION: _____
QUOTE/REF#: _____



LSMW-35 is a dimmable flexible LED strip capable of delivering 290 lumens of light output per ft. This LED strip is rated to last 50,000 hours making it an excellent replacement for halogen lighting. Its high lumen, excellent CRI and color temperature options make it the perfect choice for almost any commercial or residential lighting application.

SPECIFICATIONS

| | |
|------------------------------|--------------------------------|
| INPUT VOLTAGE | 24V DC |
| POWER CONSUMPTION | 3.0W per foot |
| LUMEN OUTPUT | 290 Lumens per foot |
| NO. OF LEDs | 81 LEDs per foot |
| BEAM ANGLE | 120° |
| CRI | 90+ |
| DIMMING | MLV, ELV, 0-10 and TRIAC |
| MAXIMUM RUN LENGTH | 20 Feet |
| FIELD CUTTABLE | Every 1 in |
| IP RATING | IP65 WET location (outdoor) |
| LUMEN MAINTENANCE | 50,000 hrs. |
| OPERATING TEMPERATURE | -40°F(-40°C)~+140°F(+60°C) |
| BINNING | 1.5 Step Macadam Elipse |
| CERTIFICATIONS | UL listed, TITLE 24 JA8 |
| DIMENSIONS | 0.47" x 0.20" (width x height) |

FEATURES

- 3.0W per Foot
- 290 Lumens
- 90+ CRI
- California TITLE 24 JA8 compliant
- Field cuttable
- Suitable for accent or ambient lighting
- Multiple CCT options available
- Superior COLOR RENDERING INDEX (CRI)
- Available in 24V
- UL Listed
- Dimmable with CORE Lighting dimmable drivers
- Approved for closet / storage space installation per NEC 410.16(A)(3) and 410.16(C)(5)

| | COLOR TEMP | CRI | LUMEN/FT |
|--|-------------------|------------|-----------------|
| | 2400K | 90 | 290 |
| | 2700K | 90 | 290 |
| | 3000K | 90 | 290 |
| | 3500K | 90 | 290 |
| | 4000K | 90 | 290 |
| | 5000K | 90 | 290 |



LSMW35

3.0W Outdoor Flexible LED Strip

STANDARD ORDERING CODE

| Model | Color Temp | Length | Voltage | Profile |
|---------|---------------------|-----------------------------------|-----------------------|---------------------------------|
| LSMW-35 | 24K 2400K | 20 20 Ft. | 24 24 Volts | ² See p3 for options |
| | 27K 2700K | ¹ XX per Ft. | | |
| | 30K 3000K | | | |
| | 35K 3500K | | | |
| | 40K 4000K | | | |
| | 50K 5000K | | | |

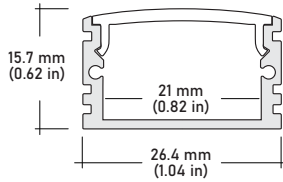
NOTE:

- 1** = Custom length per Ft. cuttable every 1"
- 2** = Custom color finishes require powder coating. Allow 7 days lead time.

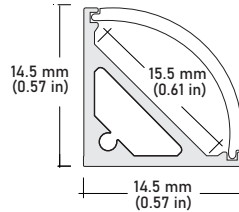
LSMW35

3.0W Outdoor Flexible LED Strip

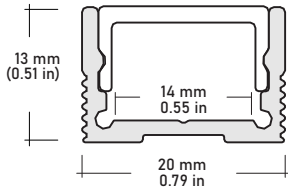
COMPATIBLE ALUMINUM PROFILES



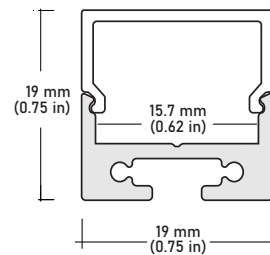
ALU-DS100 Surface Wide
LENGTHS 39^{3/8"} | 78^{7/8"} | 96"
LENS Clear, Frosted
FINISH Silver



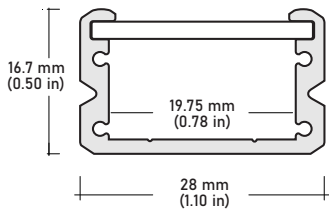
ALP-50C Surface, Corner
LENGTHS 49.25" | 98.5"
LENS Frosted
FINISH White | Black | Silver



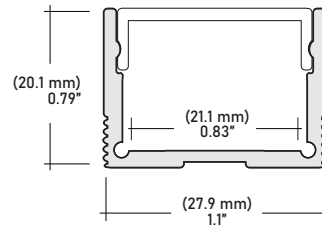
ALP-70 Surface
LENGTHS 49.25" | 98.5"
LENS Frosted
FINISH White | Black | Silver



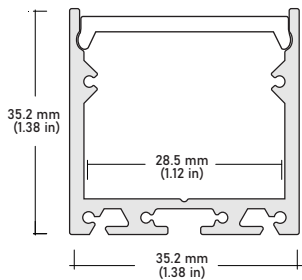
ALP-80 Surface, Suspended
LENGTHS 49.25" | 98.5"
LENS Frosted
FINISH Silver



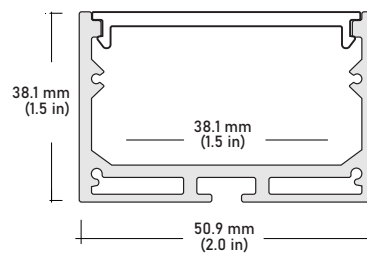
ALP-90 Surface
LENGTHS 48" | 96"
LENS Frosted
FINISH Silver



ALP-130 Surface, Suspended
LENGTHS 49.25" | 98.5"
LENS Frosted
FINISH Silver

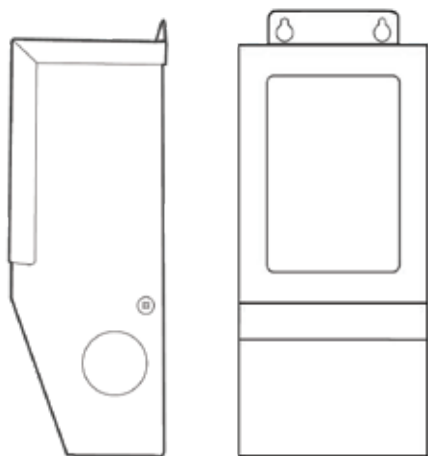


ALP-140 Surface, Suspended
LENGTHS 49.25" | 98.5"
LENS Frosted
FINISH Silver

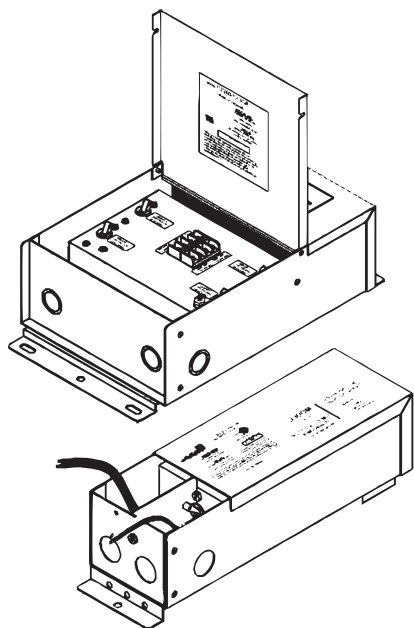


ALP-160 Surface, Suspended
LENGTHS 48" | 98"
LENS Frosted
FINISH Silver

COMPATIBLE TRANSFORMERS

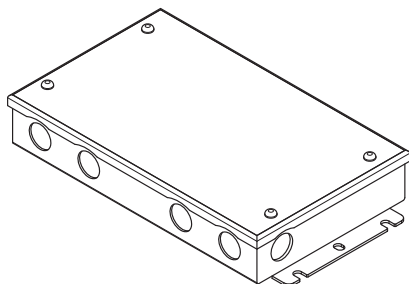


| PSDM SERIES | DIMMABLE MAGNETIC LOW VOLTAGE (MLV) | |
|----------------------|-------------------------------------|--------------------|
| PSDM-20W-24V | CLASS 2 | 5.6" x 2" x 2.14" |
| PSDM-40W-24V | CLASS 2 | 5.6" x 2" x 2.14" |
| PSDM-60W-24V | CLASS 2 | 6.5" x 2.3" x 2.5" |
| PSDM-100W-24V | CLASS 2 | 6.5" x 2.3" x 2.5" |
| PSDM-150W-24V | | 9.8" x 3" x 3" |
| PSDM-192W-24V | CLASS 2 | 7.0" x 7.0" x 3.2" |
| PSDM-200W-24V | | 9.8" x 3" x 3" |
| PSDM-288W-24V | CLASS 2 | 9.8" x 4.2" x 3.5" |
| PSDM-300W-24V | | 7.0" x 7.0" x 3.2" |



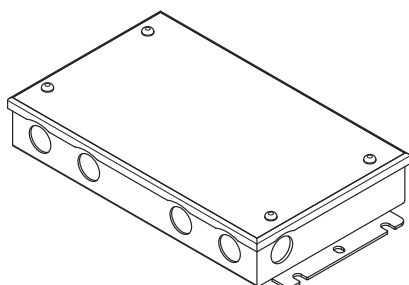
| PSDH SERIES | HIGH PERFORMANCE MAGNETIC LOW VOLTAGE (MLV) | |
|----------------------|---|------------------------|
| PSDH-48W-24V | CLASS 2 | 11.25" x 3.37" x 3.25" |
| PSDH-96W-24V | CLASS 2 | 11.25" x 3.37" x 3.25" |
| PSDH-288W-24V | CLASS 2 | 14.25" x 8.43" x 4.43" |

COMPATIBLE TRANSFORMERS



PSDL SERIES | TRIAC DIMMABLE

| | | |
|----------------------|---------|----------------------|
| PSDL-30W-24V | CLASS 2 | 6.5"x 3.63"x 1.03" |
| PSDL-60W-24V | CLASS 2 | 7.4"x 3.63"x 1.03" |
| PSDL-96W-24V | CLASS 2 | 8.67"x 3.67"x 1.62" |
| PSDL-150W-24V | CLASS 2 | 8.67"x 3.67"x 1.62" |
| PSDL-192W-24V | CLASS 2 | 10.25"x 4.06"x 1.82" |
| PSDL-200W-24V | CLASS 2 | 10.25"x 4.06"x 1.82" |
| PSDL-288W-24V | CLASS 2 | 10.25"x 4.06"x 1.82" |
| PSDL-300W-24V | CLASS 2 | 10.25"x 4.06"x 1.82" |



PSHK SERIES | NON-DIMMING W/ JUNCTION BOX

| | | |
|--------------------------|---------|------------------------|
| PSHK-30W-24V-UNV | CLASS 2 | 6.5" X 3.6" X 1.02" |
| PSHK-60W-24V-UNV | CLASS 2 | 7.4" X 3.62" X 1.02" |
| PSHK-96W-24V-UNV | CLASS 2 | 8.66" X 3.66" X 1.61" |
| PSHK-150W-24V-UNV | | 10.24" X 4.06" X 1.81" |
| PSHK-200W-24V-UNV | | 10.24" X 4.06" X 1.81" |
| PSHK-300W-24V-UNV | | 10.94" X 4.25" X 1.81" |

LSMW35

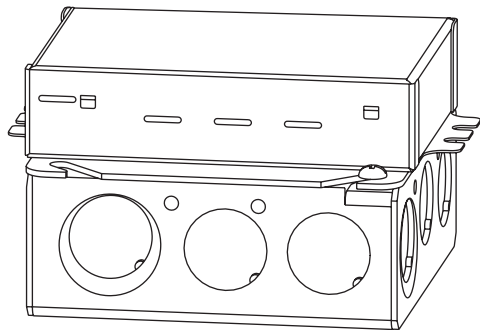
3.0W Outdoor Flexible LED Strip t

COMPATIBLE TRANSFORMERS



PSDE SERIES | 0-10V DIMMING W/ JUNCTION BOX

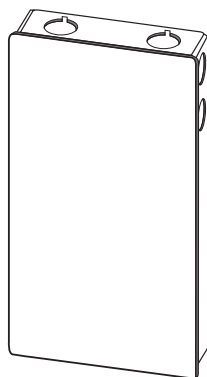
PSDE-100W-24V-010-JB CLASS 2 12.32" x 1.77" x 1.67"



LUTRON 1% | 2 OR 3-WIRE DIMMING

LTEA4U1UKL-CV240 CLASS 2 4.0" x 1.5" x 4.0"

L3DA4U1UKL-CV240 CLASS 2 4.0" x 1.5" x 4.0"



LUTRON 1%

PSDE-96W-24V-ECO CLASS 2 10.5" x 3.0" x 2.0"