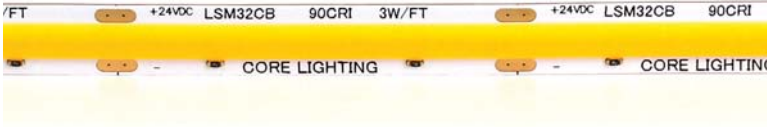


# LSMW32CB

3.2W Outdoor COB Linear LED Strip

JOB NAME: \_\_\_\_\_  
LOCATION: \_\_\_\_\_  
QUOTE/REF#: \_\_\_\_\_






Delivering a solid stream of linear light, the **LSMW32CB** features the latest in COB technology for total linear diffusion in a low profile package. Fits profiles up to **0.47" (12mm)** wide.

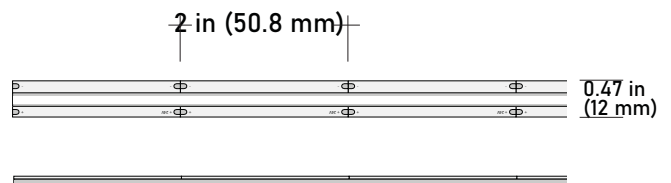
## FEATURES

- 3.2W per Foot
- 90+ CRI
- California TITLE 24 JA8 compliant
- Field cuttable
- Suitable for accent or ambient lighting
- 27K, 30K and 40K CCT options available
- Available in 24V
- UL Listed
- Dimmable with CORE Lighting dimmable drivers
- Approved for closet / storage space installation per NEC 410.16(A)(3) and 410.16(C)(5)

## SPECIFICATIONS

<b>INPUT VOLTAGE</b>	24V DC
<b>POWER CONSUMPTION</b>	3.2 per foot
<b>LUMEN OUTPUT</b>	(27K) 272 Lm/Ft. (30K) 292 Lm/Ft. (40K) 297 Lm/Ft.
<b>BEAM ANGLE</b>	180°
<b>CRI</b>	90+
<b>DIMMING</b>	MLV, ELV, 0-10 and TRIAC
<b>MAXIMUM RUN LENGTH</b>	16.4 Feet
<b>FIELD CUTTABLE</b>	Every 2 in
<b>IP RATING</b>	IP65 wet location (outdoor)
<b>LUMEN MAINTENANCE</b>	50,000 hrs.
<b>OPERATING TEMPERATURE</b>	-40°F(-40°C)~+140°F(+60°C)
<b>BINNING</b>	2 Step Macadam Elipse
<b>CERTIFICATIONS</b>	UL listed, TITLE 24 JA8
<b>DIMENSIONS</b>	0.4" x 0.08 (width x height)
<b>WARRANTY</b>	5 Years

	COLOR TEMP	CRI	LUMEN/FT
	2700K	90	272
	3000K	90	292
	4000K	90	297



# LSMW32CB

3.2W Outdoor COB Linear LED Strip

## STANDARD ORDERING CODE

Model	Color Temp	Length	Voltage	Profile
LSMW32CB	27K 2700K	16 16.4 Ft.	24 24 Volts	<sup>2</sup> See p3 for options
	30K 3000K	<sup>1</sup> XX per Ft.		
	40K 4000K			

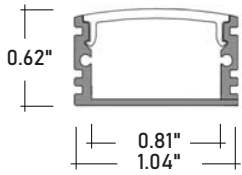
### NOTE:

- 1** = Custom length per Ft. cuttable every 2"
- 2** = Custom color finishes require powder coating. Allow 7 days lead time.

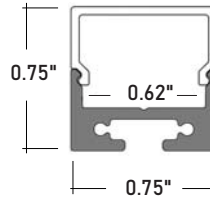
# LSMW32CB

3.2W Outdoor COB Linear LED Strip

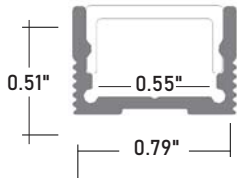
## COMPATIBLE ALUMINUM PROFILES



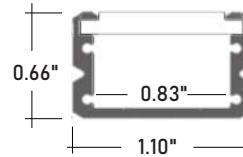
**ALU-DS100** **SURFACE MOUNT**  
**LENGTHS** 39<sup>3</sup>/<sub>8</sub>" 78"  
**LENS** Clear and Frosted  
**FINISH** Anodized Aluminum



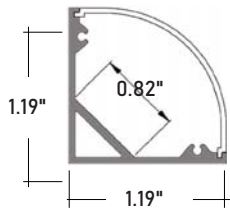
**ALP-80** **SURFACE / SUSPENDED**  
**LENGTHS** 49.25" , 98.5"  
**LENS** Frosted  
**FINISH** Anodized Aluminum



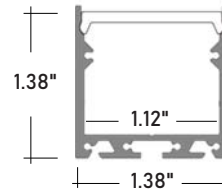
**ALP-70** **SURFACE MOUNT**  
**LENGTHS** 49.25" , 98.5"  
**LENS** Frosted  
**FINISH** Anodized Aluminum



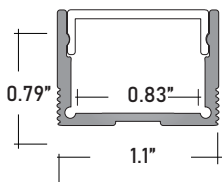
**ALP-90** **SURFACE MOUNT**  
**LENGTHS** 48" and 96"  
**LENS** Frosted  
**FINISH** Anodized Aluminum



**ALP-100C** **SURFACE / CORNER**  
**LENGTHS** 49.25" and 98.5"  
**LENS** Frosted  
**FINISH** Anodized Aluminum



**ALP-140** **SURFACE / SUSPENDED**  
**LENGTHS** 49.25" and 98.5"  
**LENS** Frosted  
**FINISH** Anodized Aluminum

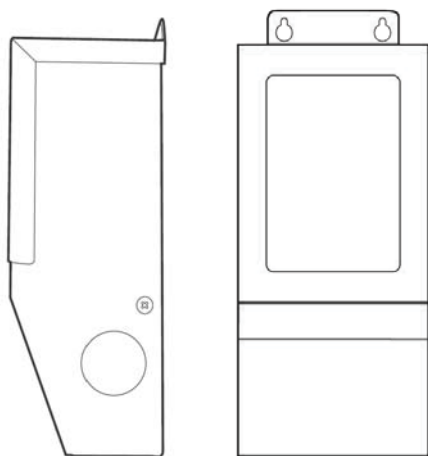


**ALP-130** **SURFACE / SUSPENDED**  
**LENGTHS** 49.25" and 98.5"  
**LENS** Frosted  
**FINISH** Anodized Aluminum

# LSMW32CB

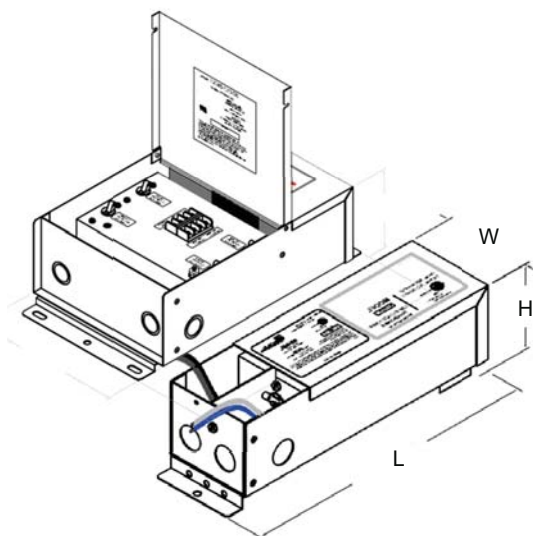
3.2W Outdoor COB Linear LED Strip

## COMPATIBLE TRANSFORMERS



### PSDM SERIES | DIMMABLE MAGNETIC LOW VOLTAGE (MLV)

<b>PSDM-20W-24V</b>	CLASS 2	5.6" x 2" x 2.14"
<b>PSDM-40W-24V</b>	CLASS 2	5.6" x 2" x 2.14"
<b>PSDM-60W-24V</b>	CLASS 2	6.5" x 2.3" x 2.5"
<b>PSDM-100W-24V</b>	CLASS 2	6.5" x 2.3" x 2.5"
<b>PSDM-150W-24V</b>		9.8" x 3" x 3"
<b>PSDM-192W-24V</b>	CLASS 2	7.0" x 7.0" x 3.2"
<b>PSDM-200W-24V</b>		9.8" x 3" x 3"
<b>PSDM-288W-24V</b>	CLASS 2	9.8" x 4.2" x 3.5"
<b>PSDM-300W-24V</b>		7.0" x 7.0" x 3.2"



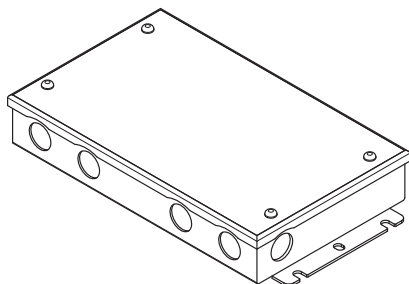
### PSDH SERIES | HIGH PERFORMANCE MAGNETIC LOW VOLTAGE (MLV)

<b>PSDH-48W-24V</b>	CLASS 2	11.25" x 3.37" x 3.25"
<b>PSDH-96W-24V</b>	CLASS 2	11.25" x 3.37" x 3.25"
<b>PSDH-288W-24V</b>	CLASS 2	14.25" x 8.43" x 4.43"

# LSMW32CB

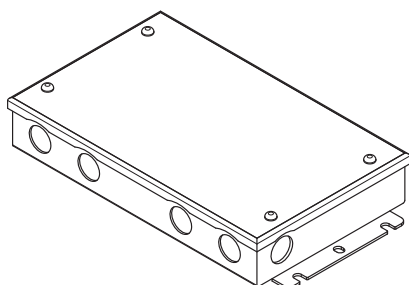
3.2W Outdoor COB Linear LED Strip

## COMPATIBLE TRANSFORMERS



### PSDL SERIES | TRIAC DIMMABLE

<b>PSDL-30W-24V</b>	CLASS 2	6.5"x 3.63"x 1.03"
<b>PSDL-60W-24V</b>	CLASS 2	7.4"x 3.63"x 1.03"
<b>PSDL-96W-24V</b>	CLASS 2	8.67"x 3.67"x 1.62"
<b>PSDL-150W-24V</b>	CLASS 2	8.67"x 3.67"x 1.62"
<b>PSDL-192W-24V</b>	CLASS 2	10.25"x 4.06"x 1.82"
<b>PSDL-200W-24V</b>	CLASS 2	10.25"x 4.06"x 1.82"
<b>PSDL-288W-24V</b>	CLASS 2	10.25"x 4.06"x 1.82"
<b>PSDL-300W-24V</b>	CLASS 2	10.25"x 4.06"x 1.82"



### PSHK SERIES | NON-DIMMING W/ JUNCTION BOX

<b>PSHK-30W-24V-UNV</b>	CLASS 2	6.5" X 3.6" X 1.02"
<b>PSHK-60W-24V-UNV</b>	CLASS 2	7.4" X 3.62" X 1.02"
<b>PSHK-96W-24V-UNV</b>	CLASS 2	8.66" X 3.66" X 1.61"
<b>PSHK-150W-24V-UNV</b>	CLASS 2	10.24" X 4.06" X 1.81"
<b>PSHK-200W-24V-UNV</b>	CLASS 2	10.24" X 4.06" X 1.81"
<b>PSHK-300W-24V-UNV</b>	CLASS 2	10.94" X 4.25" X 1.81"

# LSMW32CB

3.2W Outdoor COB Linear LED Strip

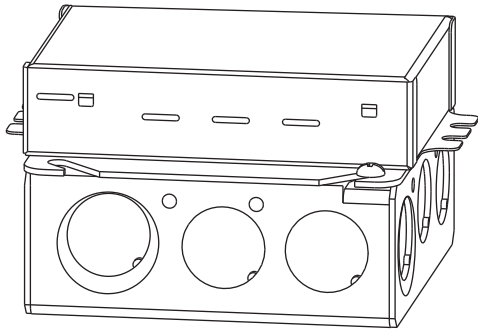
## COMPATIBLE TRANSFORMERS



**PSDE SERIES** | 0-10V DIMMING W/ JUNCTION BOX



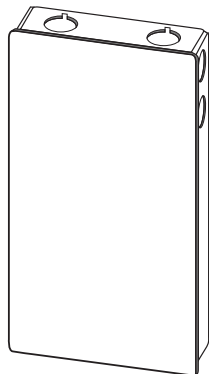
**PSDE-100W-24V-010-JB** CLASS 2 12.32" x 1.77" x 1.67"



**LUTRON 1%** | 2 OR 3-WIRE DIMMING

**LTEA4U1UKL-CV240** CLASS 2 4.0" x 1.5" x 4.0"

**L3DA4U1UKL-CV240** CLASS 2 4.0" x 1.5" x 4.0"



**LUTRON 1%**

**PSDE-96W-24V-ECO** CLASS 2 10.5" x 3.0" x 2.0"