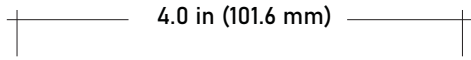


# LSMW25

## 2.2W Outdoor Flexible LED Strip

JOB NAME: \_\_\_\_\_  
LOCATION: \_\_\_\_\_  
QUOTE/REF#: \_\_\_\_\_



0.47 in  
(11.9 mm)



0.20in  
(5.1 mm)

**LSMW25** is an outdoor flexible LED strip capable of delivering 185 Lumens of light output per Ft. This 24V LED strip is dimmable and rated to last 50,000 hours making it an excellent replacement for halogen lighting. Its innovative low profile design makes it suitable for cove lighting, architectural and aesthetic enhancements.

### SPECIFICATIONS

<b>INPUT VOLTAGE</b>	24V DC
<b>POWER CONSUMPTION</b>	2.2W per foot
<b>LUMEN OUTPUT</b>	185 Lumens per foot
<b>NO. OF LEDs</b>	18 LEDs per foot
<b>BEAM ANGLE</b>	120°
<b>CRI</b>	95+
<b>DIMMING</b>	MLV, ELV, 0-10 and TRIAC
<b>MAXIMUM RUN LENGTH</b>	30 Feet
<b>FIELD CUTTABLE</b>	Every 4 in
<b>IP RATING</b>	IP65 wet location (outdoor)
<b>LUMEN MAINTENANCE</b>	50,000 hrs.
<b>OPERATING TEMPERATURE</b>	-40°F(-40°C)~+140°F(+60°C)
<b>BINNING</b>	1.5 Step Macadam Elipse
<b>CERTIFICATIONS</b>	UL listed, TITLE 24 JA8
<b>DIMENSIONS</b>	0.4" x 0.08 (width x height)

### FEATURES

- 2.2W per Foot
- 185 Lumens
- 95+ CRI
- California TITLE 24 JA8 compliant
- Ideal for outdoor / wet rated applications
- Suitable for accent or ambient lighting
- Multiple CCT options available
- Superior COLOR RENDERING INDEX (CRI)
- UL Listed
- Dimmable with CORE Lighting dimmable drivers
- Approved for closet / storage space installation per NEC 410.16(A)(3) and 410.16(C)(5)

	COLOR TEMP	CRI	LUMEN/FT
	2700K	94	176
	3000K	94	178
	3500K	94	180
	4000K	94	182
	5000K	96	184
	6000K	97	185



## STANDARD ORDERING CODE

Model	Color Temp	Length	Voltage	Profile
LSMW25	<b>27K</b> 2700K	<b>16</b> 16.4 Ft.	<b>12</b> 12 Volts	<sup>2</sup> See p3 for options
	<b>30K</b> 3000K	<b>25</b> 25 Ft.	<b>24</b> 24 Volts	
	<b>35K</b> 3500K	<b>32</b> 32 Ft.		
	<b>40K</b> 4000K			
	<b>50K</b> 5000K			
	<b>60K</b> 6000K			

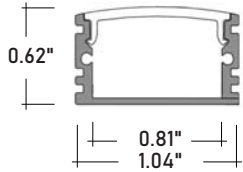
### NOTE:

- 1** = Custom length per Ft. cuttable every 4"
- 2** = Custom color finishes require powder coating. Allow 7 days lead time.

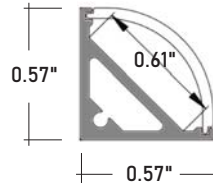
# LSMW25

2.2W Outdoor Flexible LED Strip

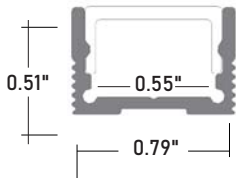
## COMPATIBLE ALUMINUM PROFILES



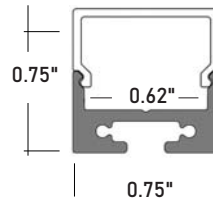
**ALU-DS100** SURFACE MOUNT  
**LENGTHS** 39<sup>3</sup>/<sub>8</sub>" 78  
**LENS** Clear and Frosted  
**FINISH** Anodized Aluminum



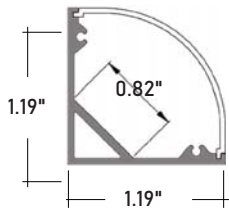
**ALP-50C** SURFACE / CORNER  
**LENGTHS** 49.25" , 98.5"  
**LENS** Frosted  
**FINISH** Anodized Aluminum



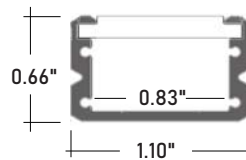
**ALP-70** SURFACE MOUNT  
**LENGTHS** 49.25" , 98.5"  
**LENS** Frosted  
**FINISH** Anodized Aluminum



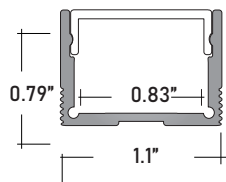
**ALP-80** SURFACE / SUSPENDED  
**LENGTHS** 49.25" , 98.5"  
**LENS** Frosted  
**FINISH** Anodized Aluminum



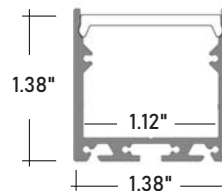
**ALP-100C** SURFACE / CORNER  
**LENGTHS** 49.25" and 98.5"  
**LENS** Frosted  
**FINISH** Anodized Aluminum



**ALP-90** SURFACE MOUNT  
**LENGTHS** 48" and 96"  
**LENS** Frosted  
**FINISH** Anodized Aluminum

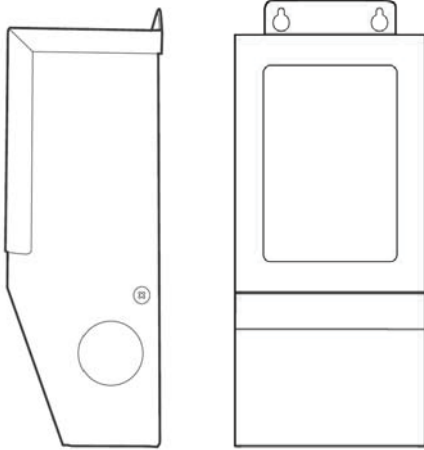


**ALP-130** SURFACE / SUSPENDED  
**LENGTHS** 49.25" and 98.5"  
**LENS** Frosted  
**FINISH** Anodized Aluminum



**ALP-140** SURFACE / SUSPENDED  
**LENGTHS** 49.25" and 98.5"  
**LENS** Frosted  
**FINISH** Anodized Aluminum

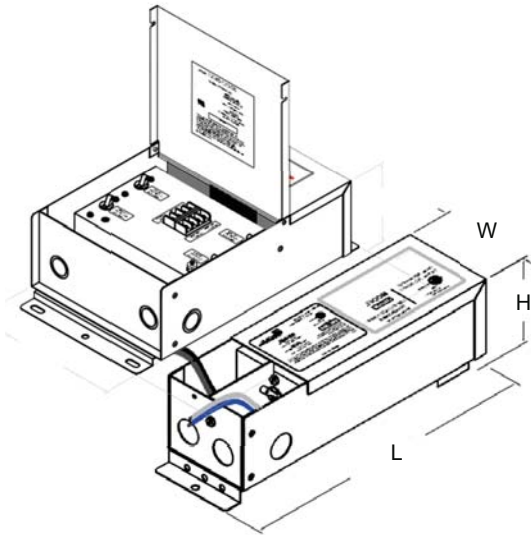
## COMPATIBLE TRANSFORMERS



### PSDM 24V SERIES | DIMMABLE MAGNETIC LOW VOLTAGE (MLV)

<b>PSDM-20W-12V</b>	CLASS 2	5.6" x 2" x 2.14"
<b>PSDM-40W-12V</b>	CLASS 2	5.6" x 2" x 2.14"
<b>PSDM-60W-12V</b>	CLASS 2	6.5" x 2.3" x 2.5"
<b>PSDM-100W-12V</b>	CLASS 2	9.8" x 3" x 3"
<b>PSDM-150W-12V</b>		9.8" x 3" x 3"
<b>PSDM-180W-12V</b>		9.8" x 3" x 3"
<b>PSDM-200W-12V</b>		9.8" x 3" x 3"
<b>PSDM-300W-12V</b>		9.8" x 4.2" x 3.5"
<b>PSDM-300W-12V</b>		7.0" x 7.0" x 3.2"

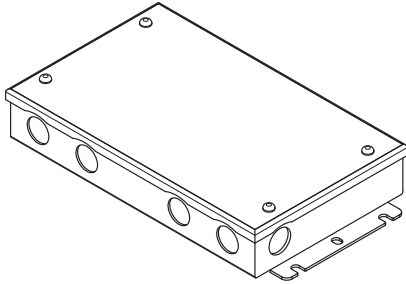
<b>PSDM-20W-24V</b>	CLASS 2	5.6" x 2" x 2.14"
<b>PSDM-40W-24V</b>	CLASS 2	5.6" x 2" x 2.14"
<b>PSDM-60W-24V</b>	CLASS 2	6.5" x 2.3" x 2.5"
<b>PSDM-100W-24V</b>	CLASS 2	6.5" x 2.3" x 2.5"
<b>PSDM-150W-24V</b>		9.8" x 3" x 3"
<b>PSDM-192W-24V</b>	CLASS 2	7.0" x 7.0" x 3.2"
<b>PSDM-200W-24V</b>		9.8" x 3" x 3"
<b>PSDM-288W-24V</b>	CLASS 2	9.8" x 4.2" x 3.5"
<b>PSDM-300W-24V</b>		7.0" x 7.0" x 3.2"



### PSDH SERIES | HIGH PERFORMANCE MAGNETIC LOW VOLTAGE (MLV)

<b>PSDH-48W-24V</b>	CLASS 2	11.25" x 3.37" x 3.25"
<b>PSDH-96W-24V</b>	CLASS 2	11.25" x 3.37" x 3.25"
<b>PSDH-288W-24V</b>	CLASS 2	14.25" x 8.43" x 4.43"

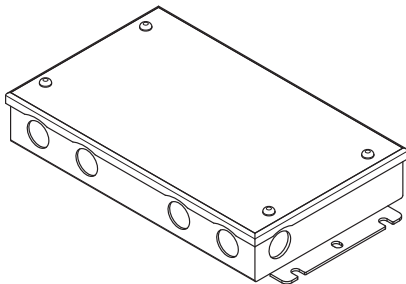
## COMPATIBLE TRANSFORMERS



### PSDL SERIES | TRIAC DIMMABLE

<b>PSDL-30W-12V</b>	CLASS 2	6.5"x 3.63"x 1.03"
<b>PSDL-60W-12V</b>	CLASS 2	7.4"x 3.63"x 1.03"
<b>PSDL-100W-12V</b>	CLASS 2	8.67"x 3.67"x 1.62"
<b>PSDL-120W-12V</b>		8.67"x 3.67"x 1.62"
<b>PSDL-150W-12V</b>		10.25"x 4.06"x 1.82"
<b>PSDL-200W-12V</b>		10.25"x 4.06"x 1.82"
<b>PSDL-300W-12V</b>		10.25"x 4.06"x 1.82"

<b>PSDL-30W-24V</b>	CLASS 2	6.5"x 3.63"x 1.03"
<b>PSDL-60W-24V</b>	CLASS 2	7.4"x 3.63"x 1.03"
<b>PSDL-96W-24V</b>	CLASS 2	8.67"x 3.67"x 1.62"
<b>PSDL-150W-24V</b>	CLASS 2	8.67"x 3.67"x 1.62"
<b>PSDL-192W-24V</b>	CLASS 2	10.25"x 4.06"x 1.82"
<b>PSDL-200W-24V</b>		10.25"x 4.06"x 1.82"
<b>PSDL-288W-24V</b>		10.25"x 4.06"x 1.82"
<b>PSDL-300W-24V</b>		10.25"x 4.06"x 1.82"



### PSHK SERIES | NON-DIMMING W/ JUNCTION BOX

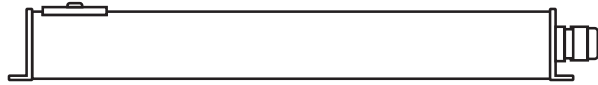
<b>PSHK-30W-24V-UNV</b>	CLASS 2	6.5" X 3.6" X 1.02"
<b>PSHK-60W-24V-UNV</b>	CLASS 2	7.4" X 3.62" X 1.02"
<b>PSHK-96W-24V-UNV</b>	CLASS 2	8.66" X 3.66" X 1.61"
<b>PSHK-150W-24V-UNV</b>		10.24" X 4.06" X 1.81"
<b>PSHK-200W-24V-UNV</b>		10.24" X 4.06" X 1.81"
<b>PSHK-300W-24V-UNV</b>		10.94" X 4.25" X 1.81"

## COMPATIBLE TRANSFORMERS



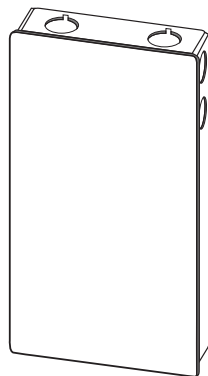
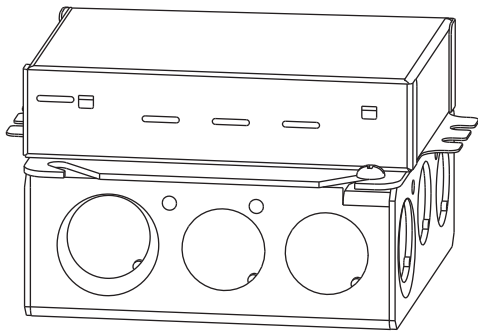
**PSDE SERIES** | 0-10V DIMMING W/ JUNCTION BOX

**PSDE-100W-24V-010-JB** CLASS 2 12.32" x 1.77" x 1.67"



**LUTRON 1%** | 2 OR 3-WIRE DIMMING

**LTEA4U1UKL-CV240** CLASS 2 4.0" x 1.5" x 4.0"  
**L3DA4U1UKL-CV240** CLASS 2 4.0" x 1.5" x 4.0"



**LUTRON 1%**

**PSDE-96W-24V-ECO** CLASS 2 10.5" x 3.0" x 2.0"