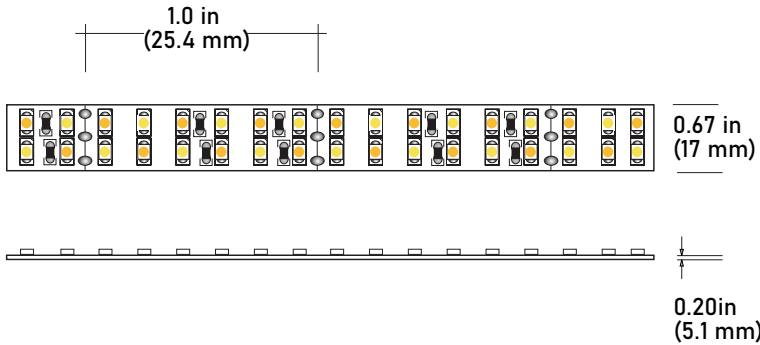


# LSM60MX

6.0W Indoor Color-Tuning Flexible LED Strip

JOB NAME: \_\_\_\_\_  
LOCATION: \_\_\_\_\_  
QUOTE/REF#: \_\_\_\_\_



**LSM60MX** is a hybrid version of our popular LSM60 series. It features combined CCTs in one LED strip ranging from warm 2200K to cool 6000K. Rated to last 50,000 hours, making it an excellent replacement for halogen lighting. Ideal for most common indoor applications.

## SPECIFICATIONS

|                              |                                |
|------------------------------|--------------------------------|
| <b>INPUT VOLTAGE</b>         | 24V DC                         |
| <b>POWER CONSUMPTION</b>     | 6W per Ft.                     |
| <b>LUMEN OUTPUT</b>          | 500+ Lumens per Ft.            |
| <b>NO. OF LEDs</b>           | 72 LEDs per Ft.                |
| <b>BEAM ANGLE</b>            | 120°                           |
| <b>CRI</b>                   | 90+                            |
| <b>DIMMING</b>               | MLV, ELV, 0-10V and TRIAC      |
| <b>MAXIMUM RUN LENGTH</b>    | 16 Feet                        |
| <b>FIELD CUTTABLE</b>        | Every 1.0 in (25.4MM)          |
| <b>IP RATING</b>             | IP45 dry location (indoor)     |
| <b>LUMEN MAINTENANCE</b>     | 50,000 hrs.                    |
| <b>OPERATING TEMPERATURE</b> | -40°F(-40°C)~+140°F(+60°C)     |
| <b>BINNING</b>               | 1.5 Step Macadam Elipse        |
| <b>CERTIFICATIONS</b>        | UL listed                      |
| <b>DIMENSIONS</b>            | 0.67" x 0.20" (width x height) |

**6.0W**  
PER FT.

**500+**  
LUMENS

**90+**  
CRI

INDOOR

FIELD CUTTABLE

50,000 HOURS

DIMMABLE

## FEATURES

- 6.0W per Ft
- 2 Channel Color-Tuning
- 500+ Lumens
- 90+ CRI
- Outdoor (WET) Rated
- 16 Feet Maximum Run Length
- Field cuttable
- Ideal for accent and ambient lighting
- Dimmable with CORE dimmable drivers
- Approved for closet / storage space installation per NEC 410.16(A)(3) and 410.16(C)(5)

|  | COLOR TEMP | CRI | LUMEN/FT |
|--|------------|-----|----------|
|  | 2200K      | 94  | 410      |
|  | 2500K      | 95  | 450      |
|  | 2700K      | 98  | 465      |
|  | 3000K      | 98  | 480      |
|  | 3500K      | 97  | 485      |
|  | 4000K      | 96  | 500      |
|  | 5000K      | 95  | 515      |
|  | 6000K      | 95  | 530      |

# LSM60MX

6.0W Indoor Color-Tuning Flexible LED Strip

## STANDARD ORDERING CODE

| Model   | Color Temp A        | Color Temp B        | Length                | Voltage               | Profile                         |
|---------|---------------------|---------------------|-----------------------|-----------------------|---------------------------------|
| LSM60MX | <b>22K</b><br>2200K | <b>30K</b><br>3000K | <b>16</b><br>16.4 Ft. | <b>24</b><br>24 Volts | <sup>2</sup> See p3 for options |
|         | <b>27K</b><br>2700K | <b>40K</b><br>4000K | <b>100</b><br>100 Ft. |                       |                                 |
|         | <b>30K</b><br>3000K | <b>50K</b><br>5000K | <b>1XX</b><br>per Ft. |                       |                                 |
|         |                     | <b>60K</b><br>6000K |                       |                       |                                 |

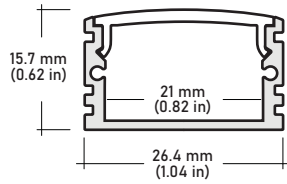
### NOTE:

- 1 =** Custom length per Ft. cuttable every 1.0"
- 2 =** Custom color finishes require powder coating. Allow 7 days lead time.

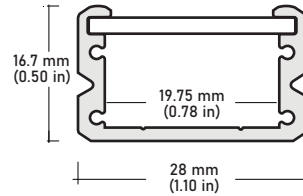
# LSM60MX

6.0W Indoor Color-Tuning Flexible LED Strip

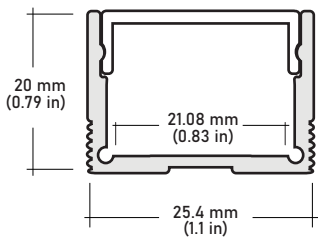
## COMPATIBLE ALUMINUM PROFILES



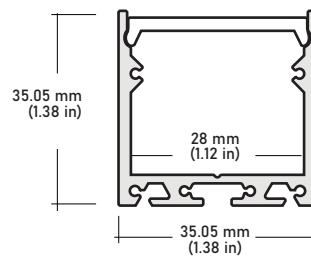
**ALU-DS100** Surface Wide  
**LENGTHS** 39<sup>3/8"</sup> | 78<sup>7/8"</sup> | 96"  
**LENS** Clear, Frosted  
**FINISH** Silver



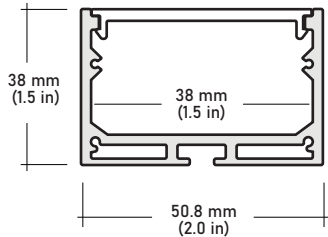
**ALP-90** Surface  
**LENGTHS** 48" | 96"  
**LENS** Frosted  
**FINISH** Silver



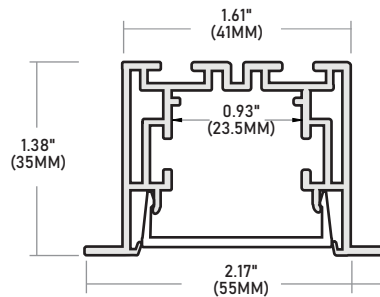
**ALP-130** Surface, Suspended  
**LENGTHS** 49.25" | 98.5"  
**LENS** Frosted  
**FINISH** Silver



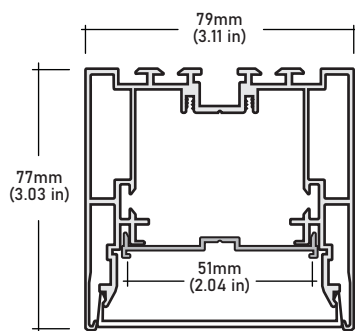
**ALP-140** Surface, Suspended  
**LENGTHS** 49.25" | 98.5"  
**LENS** Frosted  
**FINISH** Silver



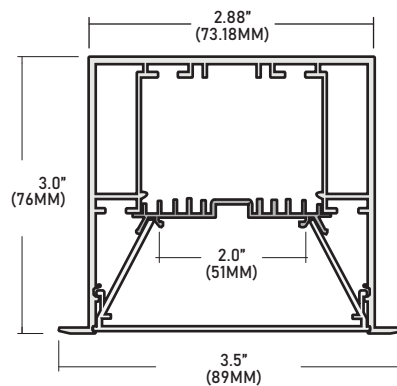
**ALP-160** Surface, Suspended  
**LENGTHS** 49.25" | 98.5"  
**LENS** Frosted  
**FINISH** Silver



**ALP-210RN** Recessed  
**LENGTHS** 49.25" | 98.5"  
**LENS** Frosted  
**FINISH** Silver

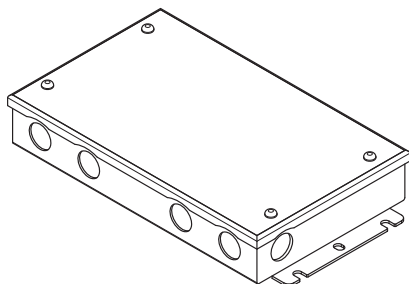


**ALP-160** Surface, Suspended  
 Recessed  
**LENGTHS** 49.25" | 98.5"  
**LENS** Frosted  
**FINISH** Silver



**ALP-340R** Recessed  
**LENGTHS** 49.25" | 98.5"  
**LENS** Frosted  
**FINISH** Silver

## COMPATIBLE TRANSFORMER



### PSHK SERIES | NON-DIMMING WITH JUNCTION BOX

|                          |         |                        |
|--------------------------|---------|------------------------|
| <b>PSHK-30W-24V-UNV</b>  | CLASS 2 | 6.5" X 3.6" X 1.02"    |
| <b>PSHK-60W-24V-UNV</b>  | CLASS 2 | 7.4" X 3.62" X 1.02"   |
| <b>PSHK-96W-24V-UNV</b>  | CLASS 2 | 8.66" X 3.66" X 1.61"  |
| <b>PSHK-150W-24V-UNV</b> |         | 10.24" X 4.06" X 1.81" |
| <b>PSHK-200W-24V-UNV</b> |         | 10.24" X 4.06" X 1.81" |
| <b>PSHK-300W-24V-UNV</b> |         | 10.94" X 4.25" X 1.81" |

## DIMMING MODULE



### PSDE-TW2-010-CT | TUNABLE WHITE DIMMING MODULE

|                            |                                     |
|----------------------------|-------------------------------------|
| <b>INPUT VOLTAGE RANGE</b> | 8-48V DC                            |
| <b>INPUT CURRENT</b>       | 5.1A MAX (per channel)              |
| <b>INPUT CONTROL</b>       | 2                                   |
| <b>MAX OUTPUT CURRENT</b>  | 5A                                  |
| <b>MAX OUTPUT POWER</b>    | 240W                                |
| <b>DIMENSIONS</b>          | L (3.86")<br>W (1.73")<br>H (0.57") |