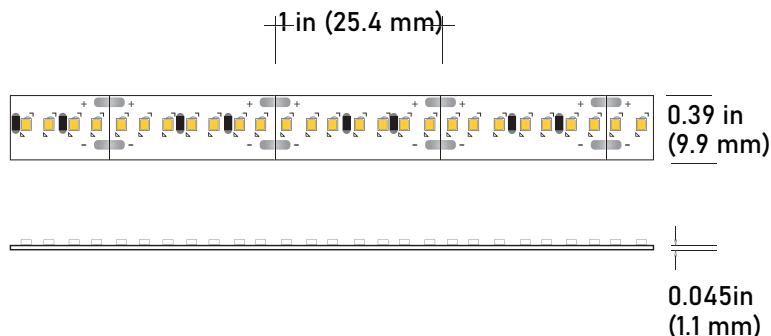


LSM55

5.5W Indoor Flexible LED Strip

JOB NAME: _____
LOCATION: _____
QUOTE/REF#: _____



LSM55 is a dimmable, flexible LED strip capable of delivering 500 lumens of light output per ft. rated to last 50,000 hours making it an excellent replacement for halogen lighting. Its high lumen, excellent CRI and color temperature options make it the perfect choice for almost any commercial or residential lighting application.

SPECIFICATIONS

INPUT VOLTAGE	24V DC
POWER CONSUMPTION	5.5W per foot
LUMEN OUTPUT	500+ Lumens per foot
NO. OF LEDs	81 LEDs per foot
BEAM ANGLE	120°
CRI	90+
DIMMING	MLV, ELV, 0-10 and TRIAC
MAXIMUM RUN LENGTH	12 Feet
FIELD CUTTABLE	Every 1 in
IP RATING	IP45 dry location (indoor)
LUMEN MAINTENANCE	50,000 hrs.
OPERATING TEMPERATURE	-40°F(-40°C)~+140°F(+60°C)
BINNING	1.5 Step Macadam Elipse
CERTIFICATIONS	UL listed, TITLE 24 JA8
DIMENSIONS	0.39" x 0.045 (width x height)

FEATURES

- 5.5W per Foot
- 500+ Lumens
- 90+ CRI
- California TITLE 24 JA8 compliant
- Field cuttable
- Suitable for accent or ambient lighting
- Multiple CCT options available
- Superior COLOR RENDERING INDEX (CRI)
- Available in 24V
- UL Listed
- Dimmable with CORE Lighting dimmable drivers
- Approved for closet / storage space installation per NEC 410.16(A)(3) and 410.16(C)(5)

	COLOR TEMP	CRI	LUMEN/FT
	2400K	95	500+
	2700K	95	500+
	3000K	95	500+
	3500K	95	500+
	4000K	95	500+
	5000K	95	500+



LSM55

5.5W Indoor Flexible LED Strip

STANDARD ORDERING CODE

Model	Color Temp	Length	Voltage	Profile
LSM55	24K 2400K	16 16.4 Ft.	24 24 Volts	² See p3 for options
	27K 2700K	100 100 Ft.		
	30K 3000K	1XX per Ft.		
	35K 3500K			
	40K 4000K			
	50K 5000K			
	60K 6000K			

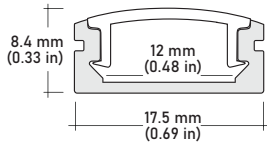
NOTE:

- 1** = Custom length per Ft. cuttable every 1"
- 2** = Custom color finishes require powder coating. Allow 7 days lead time.

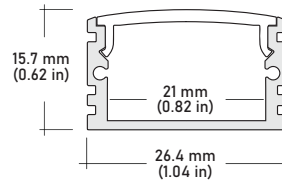
LSM55

5.5W Indoor Flexible LED Strip

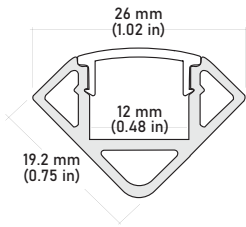
COMPATIBLE ALUMINUM PROFILES



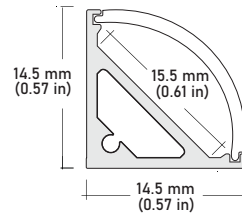
ALU-SF Surface
LENGTHS 39^{3/8"} | 78^{7/8"} | 98"
LENS Clear, Frosted
FINISH Silver | Black



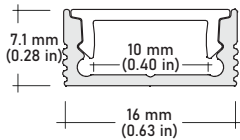
ALU-DS100 Surface Wide
LENGTHS 39^{3/8"} | 78^{7/8"} | 96"
LENS Clear, Frosted
FINISH Silver



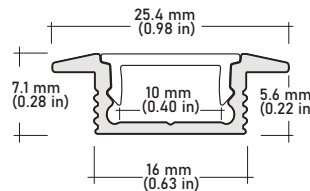
ALU-CN Surface, Corner
LENGTHS 39^{3/8"} | 78^{7/8"} | 96"
LENS Clear, Frosted
FINISH Silver | Black



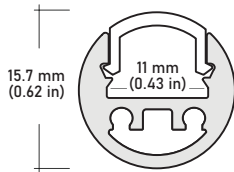
ALP-50C Surface, Corner
LENGTHS 49.25" | 98.5"
LENS Frosted
FINISH White | Black | Silver



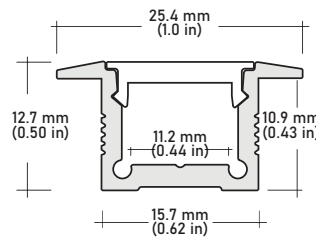
ALP-20 Surface
LENGTHS 49.25" | 98.5"
LENS Frosted
FINISH White | Black | Silver



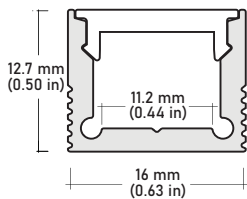
ALP-20R Recessed
LENGTHS 49.25" | 98.5"
LENS Frosted
FINISH White | Black | Silver



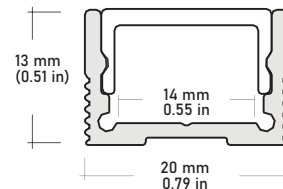
ALP-35 Surface
LENGTHS 48" | 96"
LENS Frosted
FINISH Silver



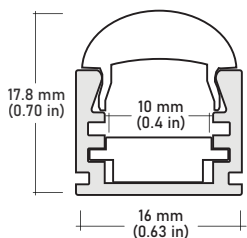
ALP-60R Recessed
LENGTHS 49.25" | 98.5"
LENS Frosted
FINISH White | Black | Silver



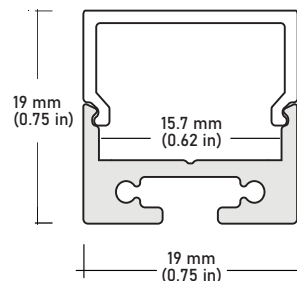
ALP-60 Surface
LENGTHS 49.25" | 98.5"
LENS Frosted
FINISH White | Black | Silver



ALP-70 Surface
LENGTHS 49.25" | 98.5"
LENS Frosted
FINISH White | Black | Silver

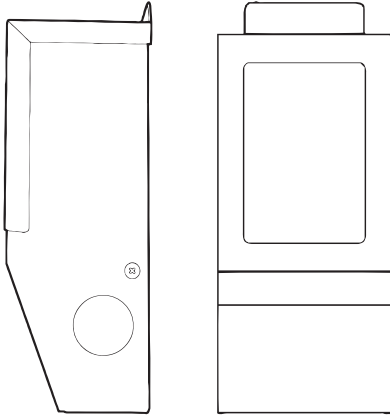


ALP-65 Surface
LENGTHS 49.25" | 98.5"
LENS Frosted
FINISH Silver
OPTICS 10° | 30° | 60°



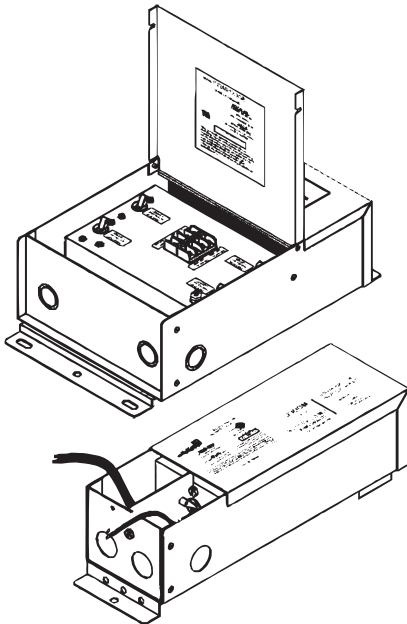
ALP-80 Surface, Suspended
LENGTHS 49.25" | 98.5"
LENS Frosted
FINISH Silver

COMPATIBLE TRANSFORMERS



PSDM 24V SERIES | DIMMABLE MAGNETIC LOW VOLTAGE (MLV)

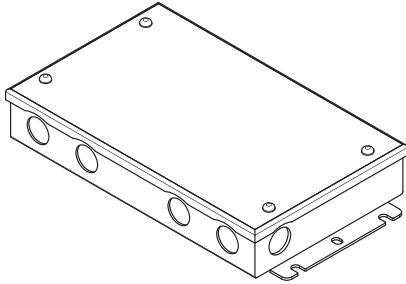
PSDM-20W-24V	CLASS 2	5.6" x 2" x 2.14"
PSDM-40W-24V	CLASS 2	5.6" x 2" x 2.14"
PSDM-60W-24V	CLASS 2	6.5" x 2.3" x 2.5"
PSDM-100W-24V	CLASS 2	6.5" x 2.3" x 2.5"
PSDM-150W-24V		9.8" x 3" x 3"
PSDM-192W-24V	CLASS 2	7.0" x 7.0" x 3.2"
PSDM-200W-24V		9.8" x 3" x 3"
PSDM-288W-24V	CLASS 2	9.8" x 4.2" x 3.5"
PSDM-300W-24V		7.0" x 7.0" x 3.2"



PSDH SERIES | HIGH PERFORMANCE MAGNETIC LOW VOLTAGE (MLV)

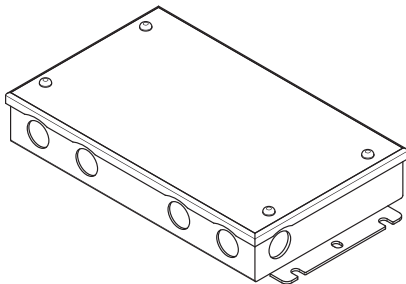
PSDH-48W-24V	CLASS 2	11.25" x 3.37" x 3.25"
PSDH-96W-24V	CLASS 2	11.25" x 3.37" x 3.25"
PSDH-288W-24V	CLASS 2	14.25" x 8.43" x 4.43"

COMPATIBLE TRANSFORMERS



PSDL SERIES | TRIAC DIMMABLE

PSDL-30W-24V	CLASS 2	6.5"x 3.63"x 1.03"
PSDL-60W-24V	CLASS 2	7.4"x 3.63"x 1.03"
PSDL-96W-24V	CLASS 2	8.67"x 3.67"x 1.62"
PSDL-150W-24V		8.67"x 3.67"x 1.62"
PSDL-192W-24V	CLASS 2	10.25"x 4.06"x 1.82"
PSDL-200W-24V		10.25"x 4.06"x 1.82"
PSDL-288W-24V		10.25"x 4.06"x 1.82"
PSDL-300W-24V		10.25"x 4.06"x 1.82"



PSHK SERIES | NON-DIMMING W/ JUNCTION BOX

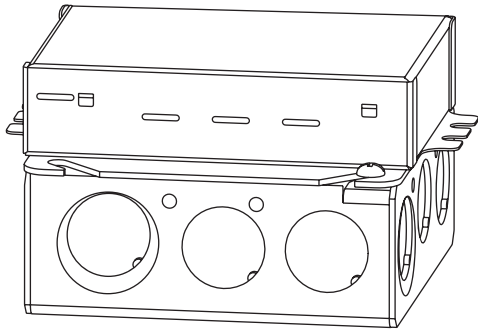
PSHK-30W-24V-UNV	CLASS 2	6.5" X 3.6" X 1.02"
PSHK-60W-24V-UNV	CLASS 2	7.4" X 3.62" X 1.02"
PSHK-96W-24V-UNV	CLASS 2	8.66" X 3.66" X 1.61"
PSHK-150W-24V-UNV		10.24" X 4.06" X 1.81"
PSHK-200W-24V-UNV		10.24" X 4.06" X 1.81"
PSHK-300W-24V-UNV		10.94" X 4.25" X 1.81"

COMPATIBLE TRANSFORMERS



PSDE SERIES | 0-10V DIMMING W/ JUNCTION BOX

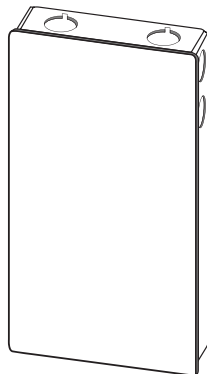
PSDE-100W-24V-010-JB CLASS 2 12.32" x 1.77" x 1.67"



LUTRON 1% | 2 OR 3-WIRE DIMMING

LTEA4U1UKL-CV240 CLASS 2 4.0" x 1.5" x 4.0"

L3DA4U1UKL-CV240 CLASS 2 4.0" x 1.5" x 4.0"



LUTRON 1%

PSDE-96W-24V-ECO CLASS 2 10.5" x 3.0" x 2.0"