

LSM-32CB 3.2W Indoor COB Linear LED Strip

JOB NAME: _____
LOCATION: _____
QUOTE/REF#: _____






Delivering a solid stream of linear light, the LSM32CB features the latest in COB technology for total linear diffusion in a low profile package. Fits profiles up to 0.4" (10mm) wide.

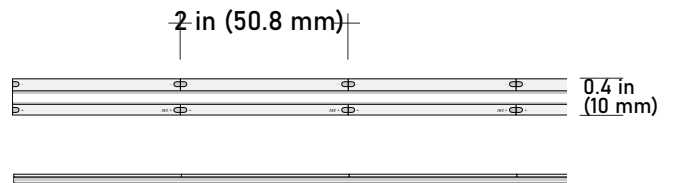
SPECIFICATIONS

INPUT VOLTAGE	24V DC
POWER CONSUMPTION	3.2 per foot
LUMEN OUTPUT	(27K) 272 Lm/Ft. (30K) 292 Lm/Ft. (40K) 297 Lm/Ft.
BEAM ANGLE	180°
CRI	90+
DIMMING	MLV, ELV, 0-10 and TRIAC
MAXIMUM RUN LENGTH	16.4 Feet
FIELD CUTTABLE	Every 2 in
IP RATING	IP54 dry location (indoor)
LUMEN MAINTENANCE	50,000 hrs.
OPERATING TEMPERATURE	-40°F(-40°C)~+140°F(+60°C)
BINNING	2 Step Macadam Elipse
CERTIFICATIONS	UL listed, TITLE 24 JA8
DIMENSIONS	0.4" x 0.08 (width x height)
WARRANTY	5 Years

FEATURES

- 3.2W per Foot
- 90+ CRI
- California TITLE 24 JA8 compliant
- Field cuttable
- Suitable for accent or ambient lighting
- 27K, 30K and 40K CCT options available
- Available in 24V
- UL Listed
- Dimmable with CORE Lighting dimmable drivers

	COLOR TEMP	CRI	LUMEN/FT
	2700K	90	272
	3000K	90	292
	4000K	90	297



LSM-32CB 3.2W Indoor COB Linear LED Strip

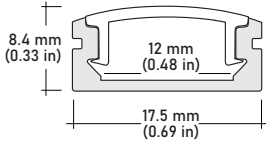
STANDARD ORDERING CODE

Model	Color Temp	Length	Voltage	Profile
LSM-32CB	27K 2700K	16 16.4 Ft.	24 24 Volts	² See p3 for options
	30K 3000K	100 100 Ft.		
	40K 4000K	¹ XX per Ft.		

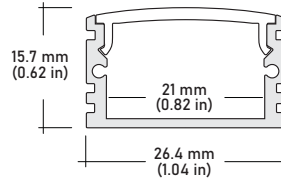
NOTE:

- 1** = Custom length per Ft. cuttable every 2"
- 2** = Custom color finishes require powder coating. Allow 7 days lead time.

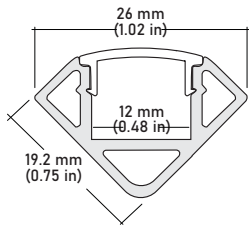
COMPATIBLE ALUMINUM PROFILES



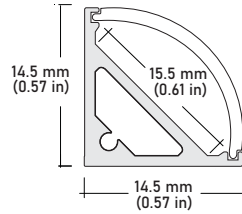
ALU-SF Surface
LENGTHS 39^{3/8"} | 78^{7/8"} | 98"
LENS Clear, Frosted
FINISH Silver | Black



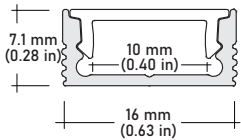
ALU-DS100 Surface Wide
LENGTHS 39^{3/8"} | 78^{7/8"} | 96"
LENS Clear, Frosted
FINISH Silver



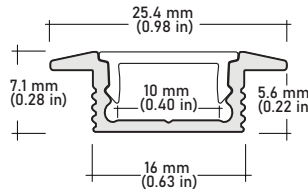
ALU-CN Surface, Corner
LENGTHS 39^{3/8"} | 78^{7/8"} | 96"
LENS Clear, Frosted
FINISH Silver | Black



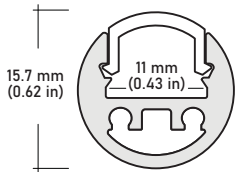
ALP-50C Surface, Corner
LENGTHS 49.25" | 98.5"
LENS Frosted
FINISH White | Black | Silver



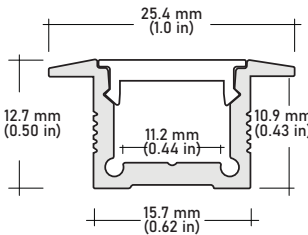
ALP-20 Surface
LENGTHS 49.25" | 98.5"
LENS Frosted
FINISH White | Black | Silver



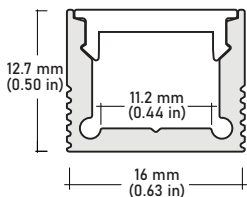
ALP-20R Recessed
LENGTHS 49.25" | 98.5"
LENS Frosted
FINISH White | Black | Silver



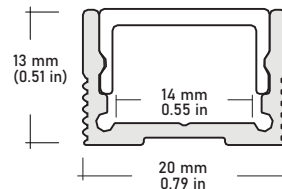
ALP-35 Surface
LENGTHS 48" | 96"
LENS Frosted
FINISH Silver



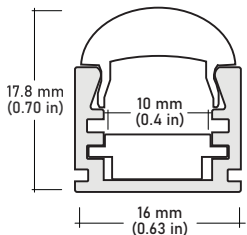
ALP-60R Recessed
LENGTHS 49.25" | 98.5"
LENS Frosted
FINISH White | Black | Silver



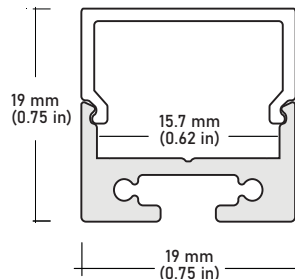
ALP-60 Surface
LENGTHS 49.25" | 98.5"
LENS Frosted
FINISH White | Black | Silver



ALP-70 Surface
LENGTHS 49.25" | 98.5"
LENS Frosted
FINISH White | Black | Silver

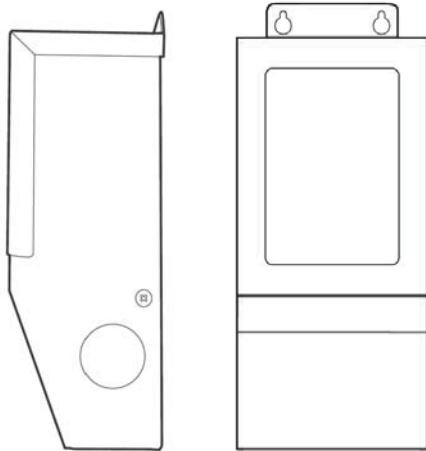


ALP-65 Surface
LENGTHS 49.25" | 98.5"
LENS Frosted
FINISH Silver
OPTICS 10° | 30° | 60°



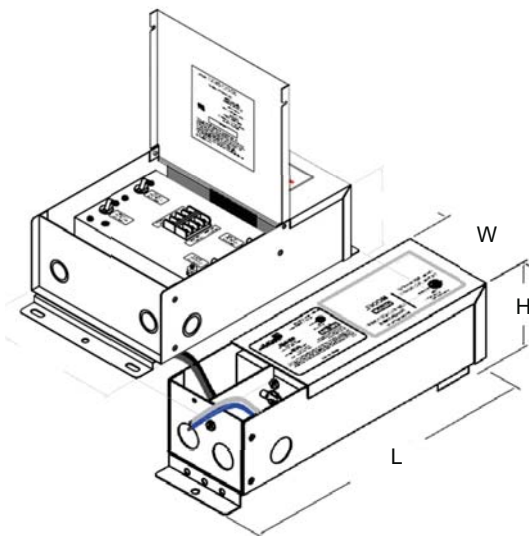
ALP-80 Surface, Suspended
LENGTHS 49.25" | 98.5"
LENS Frosted
FINISH Silver

COMPATIBLE TRANSFORMERS



PSDM SERIES | DIMMABLE MAGNETIC LOW VOLTAGE (MLV)

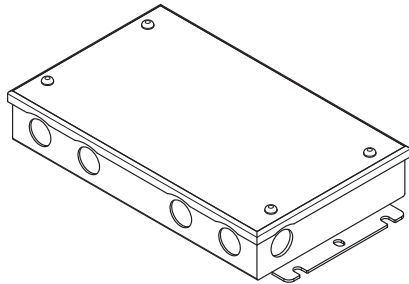
PSDM-20W-24V	CLASS 2	5.6" x 2" x 2.14"
PSDM-40W-24V	CLASS 2	5.6" x 2" x 2.14"
PSDM-60W-24V	CLASS 2	6.5" x 2.3" x 2.5"
PSDM-100W-24V	CLASS 2	6.5" x 2.3" x 2.5"
PSDM-150W-24V		9.8" x 3" x 3"
PSDM-192W-24V	CLASS 2	7.0" x 7.0" x 3.2"
PSDM-200W-24V		9.8" x 3" x 3"
PSDM-288W-24V	CLASS 2	9.8" x 4.2" x 3.5"
PSDM-300W-24V		7.0" x 7.0" x 3.2"



PSDH SERIES | HIGH PERFORMANCE MAGNETIC LOW VOLTAGE (MLV)

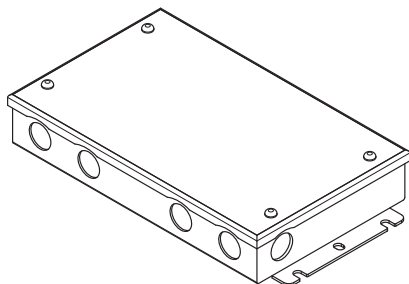
PSDH-48W-24V	CLASS 2	11.25" x 3.37" x 3.25"
PSDH-96W-24V	CLASS 2	11.25" x 3.37" x 3.25"
PSDH-288W-24V	CLASS 2	14.25" x 8.43" x 4.43"

COMPATIBLE TRANSFORMERS



PSDL SERIES | TRIAC DIMMABLE

PSDL-30W-24V	CLASS 2	6.5"x 3.63"x 1.03"
PSDL-60W-24V	CLASS 2	7.4"x 3.63"x 1.03"
PSDL-96W-24V	CLASS 2	8.67"x 3.67"x 1.62"
PSDL-150W-24V	CLASS 2	8.67"x 3.67"x 1.62"
PSDL-192W-24V	CLASS 2	10.25"x 4.06"x 1.82"
PSDL-200W-24V	CLASS 2	10.25"x 4.06"x 1.82"
PSDL-288W-24V	CLASS 2	10.25"x 4.06"x 1.82"
PSDL-300W-24V	CLASS 2	10.25"x 4.06"x 1.82"

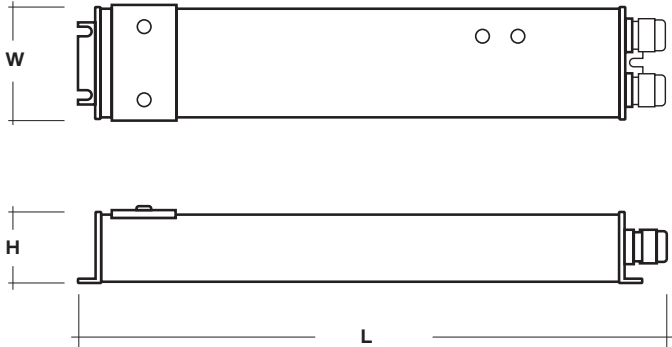


PSHK SERIES | NON-DIMMING W/ JUNCTION BOX

PSHK-30W-24V-UNV	CLASS 2	6.5" X 3.6" X 1.02"
PSHK-60W-24V-UNV	CLASS 2	7.4" X 3.62" X 1.02"
PSHK-96W-24V-UNV	CLASS 2	8.66" X 3.66" X 1.61"
PSHK-150W-24V-UNV	CLASS 2	10.24" X 4.06" X 1.81"
PSHK-200W-24V-UNV	CLASS 2	10.24" X 4.06" X 1.81"
PSHK-300W-24V-UNV	CLASS 2	10.94" X 4.25" X 1.81"

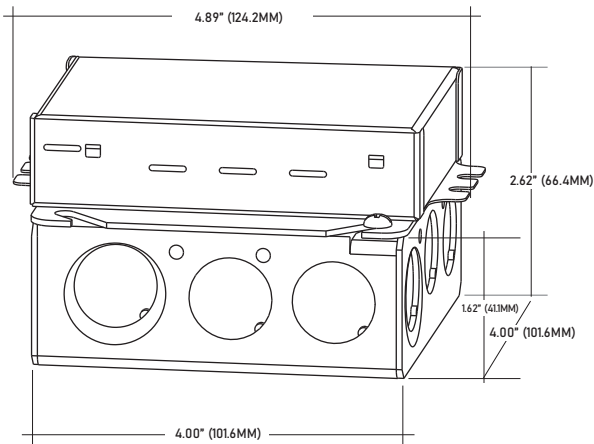
LSM-32CB 3.2W Indoor COB Linear LED Strip

COMPATIBLE TRANSFORMERS



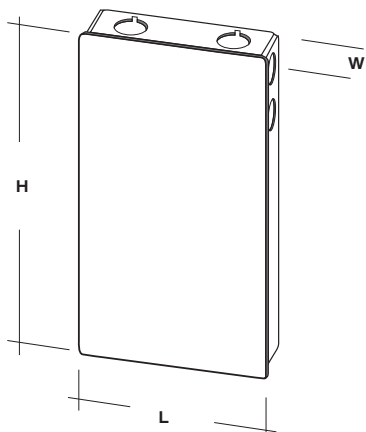
PSDE SERIES | 0-10V DIMMING W/ JUNCTION BOX

PSDE-100W-24V-010-JB CLASS 2 12.32" x 1.77" x 1.67"



LUTRON 1% | 2 OR 3-WIRE DIMMING

LTEA4U1UKL-CV240 CLASS 2 4.0" x 1.5" x 4.0"
L3DA4U1UKL-CV240 CLASS 2 4.0" x 1.5" x 4.0"



LUTRON 1%

PSDE-96W-24V-ECO CLASS 2 10.5" x 3.0" x 2.0"