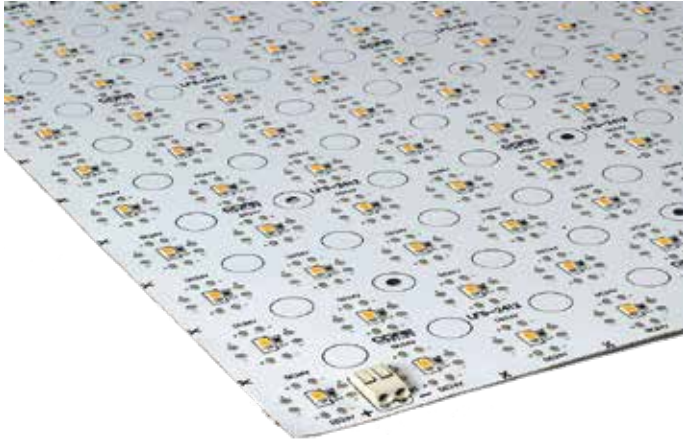


LFS-2412

Flexible Indoor LED Sheet Modules

JOB NAME: _____
LOCATION: _____
QUOTE/REF#: _____



The LFS-2412 is a high-efficiency flexible LED sheet module capable of delivering 108 Lumens per watt. This flexible light sheet can be cut to create a unique light shape. The LFS-2412 is ideal for creating backlights for photos, graphics, signs, displays and photography applications.

FEATURES

- 120 Lumens per Watt
- 288 LEDs per sheet
- Superior Color Rendering Index (90+ CRI)
- Field cuttable
- Multiple CCT options
- Ultra-thin LED light sheet
- Dimmable
- Flexible, 50MM bend diameter

SPECIFICATIONS

INPUT VOLTAGE	24V
POWER CONSUMPTION	22W
LUMEN OUTPUT	2600 Lumens per sheet
BEAM ANGLE	120°
CCT	27K / 30K / 35K / 40K / 50K / 60K
CRI	90+
DIMMING	YES
# OF LEDs	288 per sheet
OPERATING TEMPERATURE	-30° ~ 40°C
MOUNTING	Surface
LUMEN MAINTENANCE	50,000 hrs.
CERTIFICATIONS	UL Listed
DIMENSIONS	24" L x 12" W

Series Connection Maximum: 5Amps / 120W / 4 Sheets

	COLOR TEMP	CRI	LUMEN/W
	2700K	90+	120
	3000K	90+	120
	3500K	90+	120
	4000K	90+	120
	5000K	90+	120
	6000K	90+	120

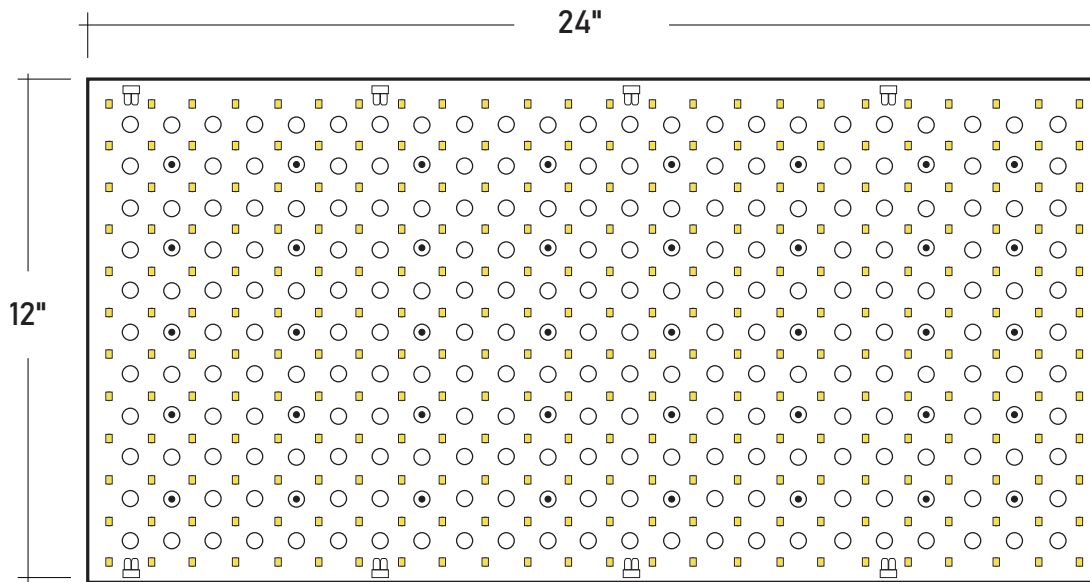


NOT COMPATIBLE WITH PSDM SERIES DRIVERS

STANDARD ORDERING CODE

Model	Color Temp	Voltage
LFS-2412	27K 2700K	24 24 Volts
	30K 3000K	
	35K 3500K	
	40K 4000K	
	50K 5000K	
	60K 6000K	

DIMENSIONS PER SHEET



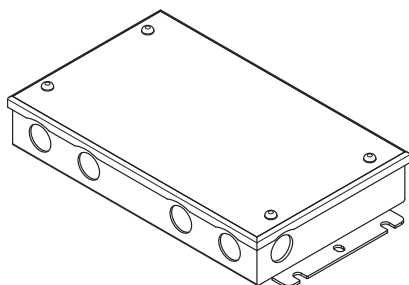
ACCESSORIES



LFS-BMP | 1/2" Round Screw-In Bumper

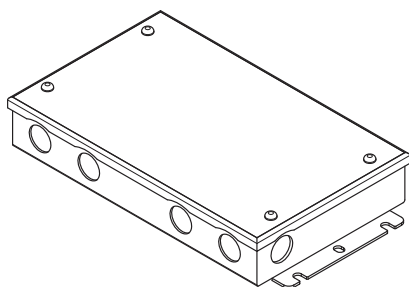
COMPATIBLE TRANSFORMERS

PSDL SERIES | TRIAC DIMMABLE



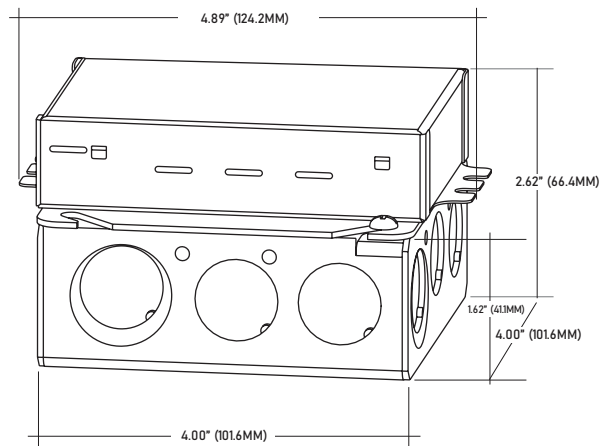
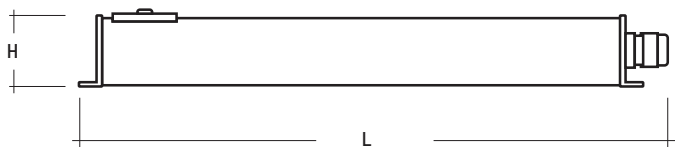
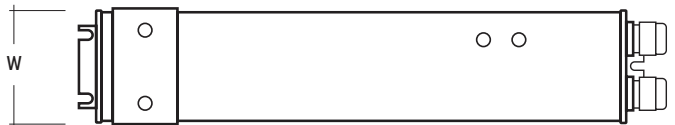
PSDL-30W-24V	CLASS 2	6.5"x 3.63"x 1.03"
PSDL-60W-24V	CLASS 2	7.4"x 3.63"x 1.03"
PSDL-96W-24V	CLASS 2	8.67"x 3.67"x 1.62"
PSDL-150W-24V	CLASS 2	8.67"x 3.67"x 1.62"
PSDL-192W-24V	CLASS 2	10.25"x 4.06"x 1.82"
PSDL-200W-24V	CLASS 2	10.25"x 4.06"x 1.82"
PSDL-288W-24V	CLASS 2	10.25"x 4.06"x 1.82"
PSDL-300W-24V	CLASS 2	10.25"x 4.06"x 1.82"

PSHK SERIES | NON-DIMMING W/ JUNCTION BOX



PSHK-30W-24V-UNV	CLASS 2	6.5" X 3.6" X 1.02"
PSHK-60W-24V-UNV	CLASS 2	7.4" X 3.62" X 1.02"
PSHK-96W-24V-UNV	CLASS 2	8.66" X 3.66" X 1.61"
PSHK-150W-24V-UNV		10.24" X 4.06" X 1.81"
PSHK-200W-24V-UNV		10.24" X 4.06" X 1.81"
PSHK-300W-24V-UNV		10.94" X 4.25" X 1.81"

COMPATIBLE TRANSFORMERS



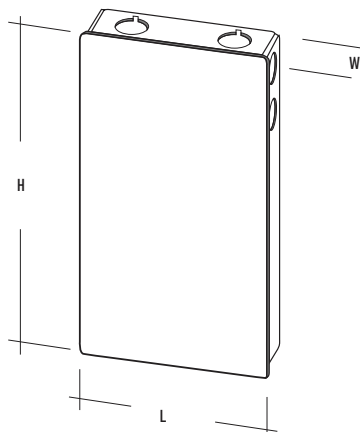
PSDE SERIES | 0-10V DIMMING W/ JUNCTION BOX

PSDE-100W-24V-010-JB CLASS 2 12.32" x 1.77" x 1.67"

LUTRON 1% | 2 OR 3-WIRE DIMMING

LTEA4U1UKL-CV240 CLASS 2 4.0" x 1.5" x 4.0"

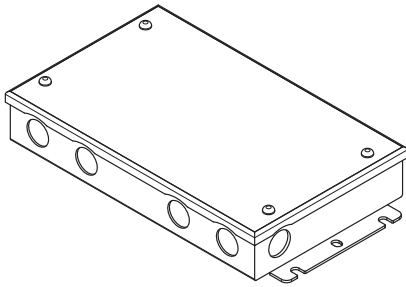
L3DA4U1UKL-CV240 CLASS 2 4.0" x 1.5" x 4.0"



LUTRON 1%

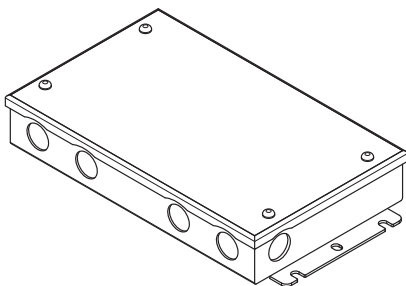
PSDE-96W-24V-ECO CLASS 2 10.5" x 3.0" x 2.0"

COMPATIBLE TRANSFORMERS



PSVT SERIES | 0-10V DIMMING DRIVER

PSVT-60W-24V	CLASS 2	7.4" X 3.72" X 1.57"
PSVT-96W-24V	CLASS 2	8.66" X 3.72" X 1.57"
PSVT-200W-24V		10.24" X 4.13" X 1.77"
PSVT-288W-24V	CLASS 2	11.85" X 4.25" X 1.81"
PSVT-300W-24V	CLASS 2	10.94" X 4.33" X 1.77"



PSRX SERIES | 4-in-1 DIMMING DRIVER W/ JUNCTION BOX

PSRX-30W-24V-UNV	CLASS 2	6.5" X 3.7" X 1.57"
PSRX-60W-24V-UNV	CLASS 2	7.4" X 3.72" X 1.57"
PSRX-96W-24V-UNV	CLASS 2	10.24" X 4.13" X 1.77"
PSRX-150W-24V-UNV		10.24" X 4.13" X 1.77"
PSRX-200W-24V-UNV		10.24" X 4.13" X 1.77"
PSRX-300W-24V-UNV		10.94" X 4.33" X 1.77"