

## SPECIFICATION SHEET

JOB NAME: \_\_\_\_\_  
 LOCATION: \_\_\_\_\_  
 QUOTE/REF#: \_\_\_\_\_



The CTL-430 is a powerful LED track head luminaire that delivers up to 3000 lumens of light. It features rotating and tilt functions for added beam angle versatility. An integrated class 2 isolated driver is built into the housing to provide a minimalist appearance. Available in a wide array of beam angles, track adapters and color temperatures.

### FEATURES

- Adjustable beam angle
- Available in Black, White and Silver
- 355° rotation, 150° Tilt
- Dimmable down to 1%
- Die-cast aluminum heat sink for optimal thermal management
- Available in white and black finishes
- Spot, Flood and Wide Flood optic options
- Integrated Class 2 driver
- Dry and damp locations
- TRIAC / ELV dimmable

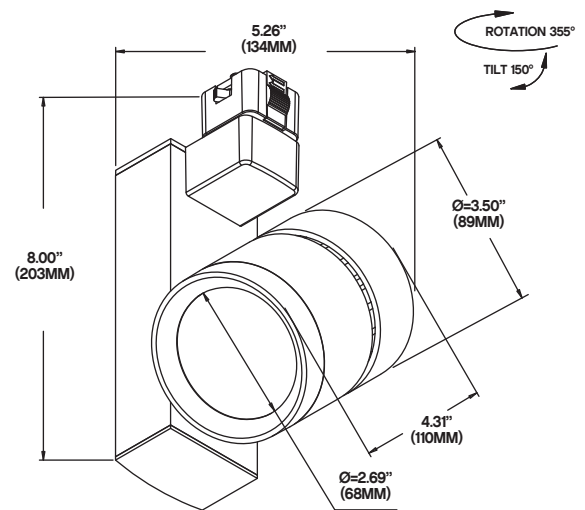
### SPECIFICATIONS

INPUT VOLTAGE	120-277VAC 50-60Hz
POWER CONSUMPTION	29W / 37W
LUMEN OUTPUT	3000 Lm / 2200 Lm
OPTICS	Spot 19° / Flood 30° / Wide Flood 45°
ADAPTER	Compatible with H, J and L type systems
COLOR TEMPERATURE	2700K / 3000K / 3500K / 4000K
CRI	80+
FINISH OPTIONS	White / Black
DIMMING	TRIAC / ELV
LUMEN MAINTENANCE	50,000 Hrs.
ADJUSTABILITY	355° Rotation / 150° Tilt
DRIVER	Integrated Class 2, power factor >.90

### FINISH CRI LUMEN

	80+	700
	80+	700

### DIMENSIONS



**29W**  
**37W**

up to  
**3000**  
lumens

**80+**  
CRI

INDOOR

DRY &  
DAMP  
LOCATION

**50,000**  
HOURS

DIMMABLE

**RoHS**  
COMPLIANT

**UL** US  
LISTED

### ORDERING GUIDE EX: CTL430-L3-30K-BK-SP-HT-120

CTL-430	WATTAGE	COLOR TEMP	FINISH	OPTICS	ADAPTER	VOLTAGE
MODEL						
	<b>L3</b> - 29W / 2200lm <b>L4</b> - 37W / 3000lm	<b>27K</b> - 2700K <b>30K</b> - 3000K <b>35K</b> - 3500K <b>40K</b> - 4000K	<b>WH</b> - WHITE <b>BK</b> - BLACK	<b>SP</b> - 19° Spot <b>FL</b> - 30° Flood <b>WF</b> - 45° Wide	<b>H</b> - Halo type <b>J</b> - Juno type <b>L</b> - Lightolier type	<b>120</b> - 120V <b>277</b> - 277V

# CTL-430 3000 Lumen LED Track Head

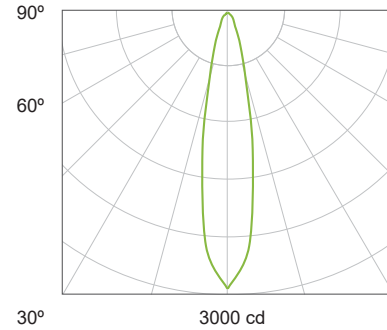
## PHOTOMETRICS

29W | 80CRI | 3000K | 2200 lm

Delivered Output : 2990 lm | CBCP : 10025 cd | Beam Angle : 19°

Center Beam Intensity	Beam Width	Height
8176 lx	39cm	1m
2044 lx	78cm	2m
908 lx	118cm	3m
511 lx	157cm	4m
327 lx	196cm	5m

### Spot 19°

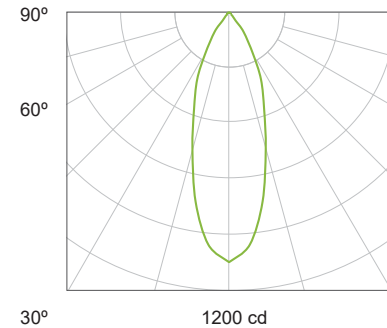


29W | 80CRI | 3000K | 2200 lm

Delivered Output : 3024 lm | CBCP : 6148 cd | Beam Angle : 30°

Center Beam Intensity	Beam Width	Height
6859 lx	47cm	1m
1715 lx	95cm	2m
762 lx	143cm	3m
428 lx	190cm	4m
274 lx	238cm	5m

### Flood 30°

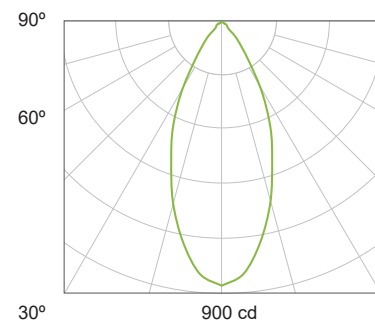


29W | 80CRI | 3000K | 2200 lm

Delivered Output : 590 lm | CBCP : 883 cd | Beam Angle : 45°

Center Beam Intensity	Beam Width	Height
3516 lx	81cm	1m
879 lx	162cm	2m
390 lx	243cm	3m
219 lx	324cm	4m
140 lx	405cm	5m

### Wide Flood 45°



# CTL-430 3000 Lumen LED Track Head

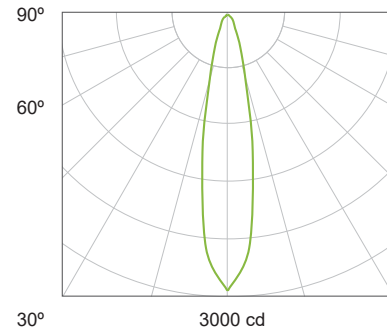
## PHOTOMETRICS

37W | 80CRI | 3000K | 3000 lm

Delivered Output : 2990 lm | CBCP : 10025 cd | Beam Angle : 19°

Center Beam Intensity	Beam Width	Height
10009 lx	42cm	1m
2502 lx	84cm	2m
1112 lx	126cm	3m
626 lx	169cm	4m
400 lx	211cm	5m

### Spot 19°

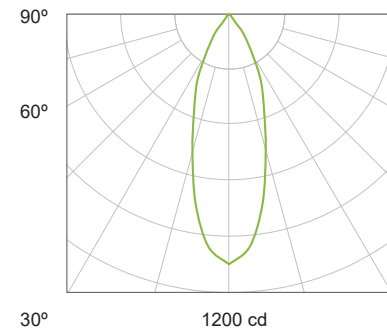


37W | 80CRI | 3000K | 3000 lm

Delivered Output : 3024 lm | CBCP : 6148 cd | Beam Angle : 30°

Center Beam Intensity	Beam Width	Height
8408 lx	52cm	1m
2102 lx	104cm	2m
934 lx	156cm	3m
526 lx	208cm	4m
336 lx	260cm	5m

### Flood 30°



37W | 80CRI | 3000K | 3000 lm

Delivered Output : 590 lm | CBCP : 883 cd | Beam Angle : 45°

Center Beam Intensity	Beam Width	Height
6148 lx	67cm	1m
1537 lx	134cm	2m
683 lx	201cm	3m
384 lx	268cm	4m
246 lx	335cm	5m

### Wide Flood 45°

