

## SPECIFICATION SHEET

JOB NAME: \_\_\_\_\_  
 LOCATION: \_\_\_\_\_  
 QUOTE/REF#: \_\_\_\_\_



The CTL-420 is a modern, high performance LED track head luminaire that delivers up to 1200 lumens of light. It features rotating and tilt functions for added beam angle versatility. An integrated class 2 isolated driver is built into the housing to provide a minimalist appearance. Available in a wide array of beam angles, track adapters and color temperatures.

### FEATURES

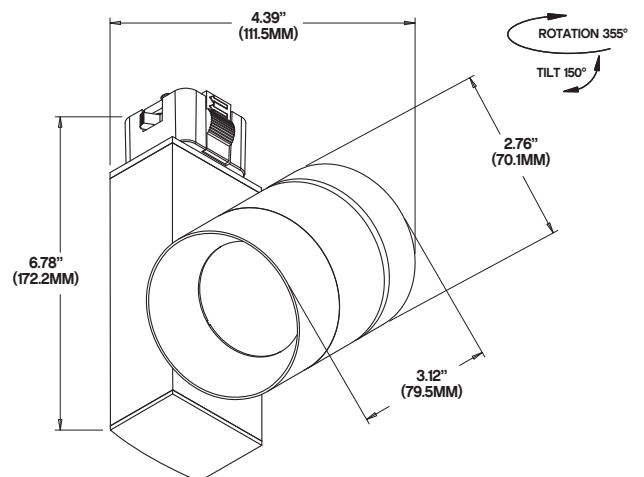
- 120V NO TRANSFORMER REQUIRED
- 1200 Lumens using only 16W.
- 355° rotation, 150° Tilt
- Available in Black, White and Silver
- Die-cast aluminum heat sink for optimal thermal management
- Available in white and black finishes
- Spot, Flood and Wide Flood optic options
- Integrated Class 2 driver
- Dry and damp locations
- TRIAC / ELV dimmable

### SPECIFICATIONS

INPUT VOLTAGE	120-277VAC 50-60Hz
POWER CONSUMPTION	16W
LUMEN OUTPUT	1200 Lm
OPTICS	Spot 19° / Flood 30° / Wide Flood 45°
ADAPTER	Compatible with H, J and L type systems
COLOR TEMPERATURE	2700K / 3000K / 4000K
CRI	85+
FINISH OPTIONS	White / Black / Silver
DIMMING	TRIAC / ELV
LUMEN MAINTENANCE	50,000 Hrs.
ADJUSTABILITY	355° Rotation / 150° Tilt
DRIVER	Integrated Class 2, power factor >.90

FINISH	CRI	LUMEN
	85+	1200
	85+	1200
	85+	1200

### DIMENSIONS



### ORDERING GUIDE EX: CTL420-L2-30K-BK-SP-HT-120

CTL-420	WATTAGE	COLOR TEMP	FINISH	OPTICS	ADAPTER	VOLTAGE
MODEL	L2 - 16W	27K - 2700K 30K - 3000K 40K - 4000K	BK - Black WH - White SI - Silver	SP - 19° Spot FL - 30° Flood WF - 45° Wide	H - Halo type J - Juno type L - Lightolier type	120 - 120V 277 - 277V

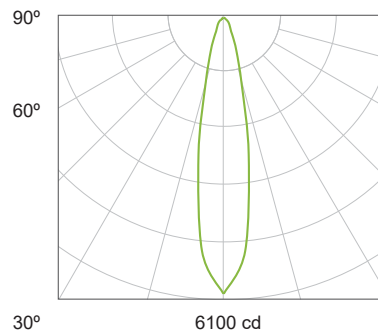
# CTL-420 1200 Lumen LED Track Head

## PHOTOMETRICS

16W | 85CRI | 3000K | 1200 lm

Center Beam Intensity	Beam Width	Height
6038 lx	41cm	1m
1510 lx	83cm	2m
671 lx	124cm	3m
377 lx	165cm	4m
242 lx	207cm	5m

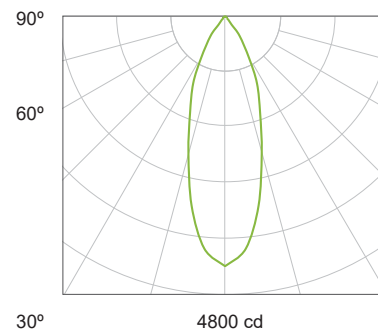
### Spot 19°



16W | 85CRI | 3000K | 1200 lm

Center Beam Intensity	Beam Width	Height
4712 lx	52cm	1m
1178 lx	104cm	2m
524 lx	156cm	3m
295 lx	208cm	4m
188 lx	260cm	5m

### Flood 30°



16W | 85CRI | 3000K | 1200 lm

Center Beam Intensity	Beam Width	Height
3594 lx	70cm	1m
898 lx	140cm	2m
399 lx	210cm	3m
225 lx	280cm	4m
144 lx	350cm	5m

### Wide Flood 45°

