

## SPECIFICATION SHEET

JOB NAME: \_\_\_\_\_  
 LOCATION: \_\_\_\_\_  
 QUOTE/REF#: \_\_\_\_\_



The CTL-420MP is a modern, high performance LED track head luminaire that delivers up to 1200 lumens of light. This monopoint LED fixture features rotating and tilt functions for added beam angle versatility. An integrated class 2 isolated driver is built into the housing to provide a minimalist appearance. Available in a three optic options, and color temperatures.

### FEATURES

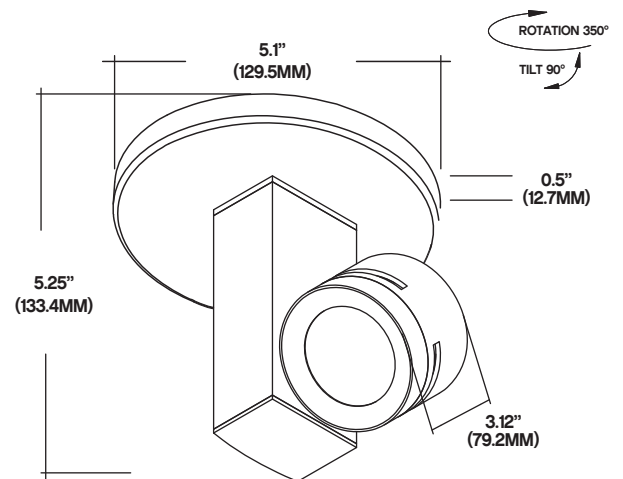
- 120V NO TRANSFORMER REQUIRED
- 1200 Lumens using only 16W.
- 355° rotation, 150° Tilt
- Available in Black, White and Silver
- Die-cast aluminum heat sink for optimal thermal management
- Available in white and black finishes
- Spot, Flood and Wide Flood optic options
- Integrated Class 2 driver
- Dry and damp locations
- TRIAC / ELV dimmable

### SPECIFICATIONS

INPUT VOLTAGE	120-277VAC 50-60Hz
POWER CONSUMPTION	16W
LUMEN OUTPUT	1200 Lm
OPTICS	Spot 19° / Flood 30° / Wide Flood 45°
ADAPTER	Monopoint
COLOR TEMPERATURE	2700K / 3000K / 4000K
CRI	85+
FINISH OPTIONS	White / Black / Silver
DIMMING	TRIAC / ELV
LUMEN MAINTENANCE	50,000 Hrs.
ADJUSTABILITY	355° Rotation / 90° Tilt
DRIVER	Integrated Class 2, power factor >.90

FINISH	CRI	LUMEN
	85+	1200
	85+	1200
	85+	1200

### DIMENSIONS



ORDERING GUIDE EX: CTL420MP-L2-30K-BK-SP-HT-120

CTL-420MP	MODEL	WATTAGE	COLOR TEMP	FINISH	OPTICS	ADAPTER	VOLTAGE
		L2 - 16W	27K - 2700K 30K - 3000K 40K - 4000K	BK - Black WH - White SI - Silver	SP - 19° Spot FL - 30° Flood WF - 45° Wide	MP - Monopoint	120 - 120V 277 - 277V

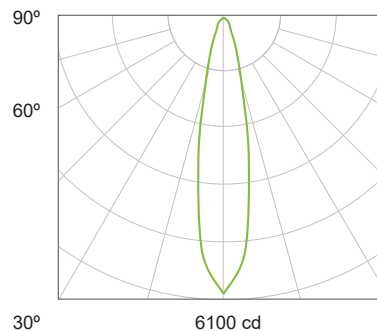
## PHOTOMETRICS

16W | 85CRI | 3000K | 1200 lm

Center Beam Intensity	Beam Width	Height
-----------------------	------------	--------

6038 lx	41cm	1m
1510 lx	83cm	2m
671 lx	124cm	3m
377 lx	165cm	4m
242 lx	207cm	5m

### Spot 19°

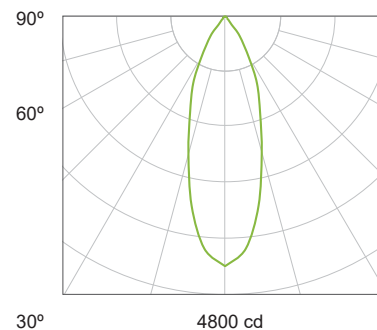


16W | 85CRI | 3000K | 1200 lm

Center Beam Intensity	Beam Width	Height
-----------------------	------------	--------

4712 lx	52cm	1m
1178 lx	104cm	2m
524 lx	156cm	3m
295 lx	208cm	4m
188 lx	260cm	5m

### Flood 30°



16W | 85CRI | 3000K | 1200 lm

Center Beam Intensity	Beam Width	Height
-----------------------	------------	--------

3594 lx	70cm	1m
898 lx	140cm	2m
399 lx	210cm	3m
225 lx	280cm	4m
144 lx	350cm	5m

### Wide Flood 45°

