

CTL-410MP 700 Lumen Vertical Monopoint Track Head

SPECIFICATION SHEET

JOB NAME: _____
 LOCATION: _____
 QUOTE/REF#: _____



The classic CTL-410MP is packed with performance and versatility into a sleek and compact design. This monopoint version is a 12.5 watt luminaire that delivers up to 700 lumens of light. An integrated class 2 isolated driver built into the housing provides a minimalist appearance. Available in a wide array of beam angles, track adapters and color temperatures.

FEATURES

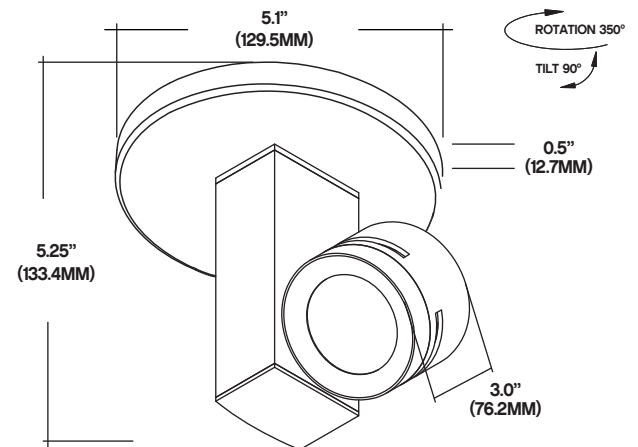
- Adjustable beam angle
- Available in Black, White and Silver
- Die-cast aluminum heat sink for optimal thermal management
- 355° rotation, 100° Tilt
- Dry and damp locations
- Ideal for retail, commercial and residential applications
- Great for displays and showcases
- Built-in Constant current driver

SPECIFICATIONS

INPUT VOLTAGE	120-277VAC 50-60Hz
POWER CONSUMPTION	12.5W
LUMEN OUTPUT	700 Lm
OPTICS	Spot 19° / Flood 30° / Wide Flood 45°
ADAPTER	Monopoint
COLOR TEMPERATURE	2700K / 3000K / 4000K
CRI	80+
FINISH OPTIONS	White / Black / Silver
DIMMING	TRIAC / ELV
LUMEN MAINTENANCE	50,000 Hrs.
ADJUSTABILITY	350° Rotation / 90° Tilt
DRIVER	Integrated Class 2, power factor >.90

FINISH	CRI	LUMEN
	80+	700
	80+	700
	80+	700

DIMENSIONS



12.5W

700 lumens

80+ CRI

INDOOR

DRY & DAMP LOCATION

50,000 HOURS

DIMMABLE



ORDERING GUIDE EX: CTL410-L1-30K-BK-SP-HT-120

CTL-410MP	WATTAGE	COLOR TEMP	FINISH	OPTICS	ADAPTER	VOLTAGE
MODEL	L1 - 12.5W	27K - 2700K 30K - 3000K 40K - 4000K	WH - WHITE BK - BLACK SI - SILVER	SP - 19° Spot FL - 30° Flood WF - 45° Wide	MP - Monopoint	120 - 120V 277 - 277V

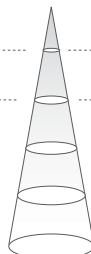
CTL-410MP 700 Lumen Vertical Monopoint Track Head

PHOTOMETRICS

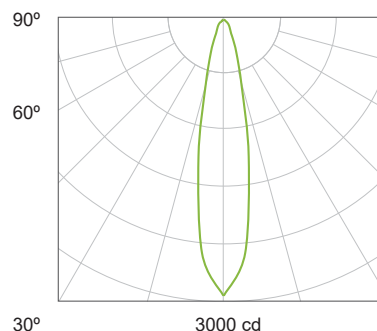
12.5W | 80CRI | 3000K

Delivered Output : 592 lm | CBCP : 2982 cd | Beam Angle : 19°

Center Beam Intensity	Beam Width	Height
2982 lx	38cm	1m
745 lx	76cm	2m
331 lx	113cm	3m
186 lx	151cm	4m
119 lx	189cm	5m



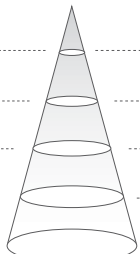
Spot 19°



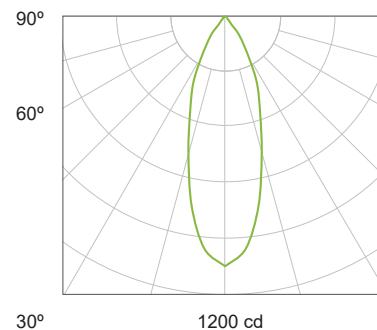
12.5W | 80CRI | 3000K

Delivered Output : 575 lm | CBCP : 1126 cd | Beam Angle : 30°

Center Beam Intensity	Beam Width	Height
1126 lx	68cm	1m
281 lx	136cm	2m
125 lx	203cm	3m
70 lx	271cm	4m
45 lx	339cm	5m



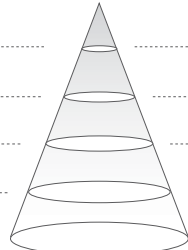
Flood 30°



12.5W | 80CRI | 3000K

Delivered Output : 590 lm | CBCP : 883 cd | Beam Angle : 45°

Center Beam Intensity	Beam Width	Height
883 lx	84cm	1m
221 lx	169cm	2m
98 lx	253cm	3m
55 lx	338cm	4m
35 lx	422cm	5m



Wide Flood 45°

