

BFL-501-AB 7W Antique Bronze LED Accent Light

SPECIFICATION SHEET

JOB NAME: _____
 LOCATION: _____
 QUOTE/REF#: _____

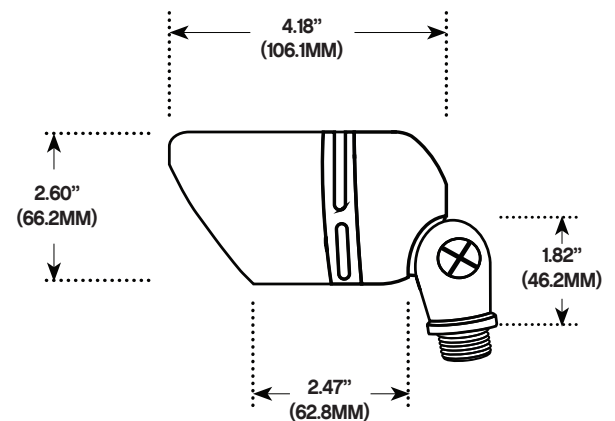


The BFL-501 is a professional and architectural grade spotlight with an integrated LED suitable for uplighting applications. Its heavy, solid cast brass body features a sleek and modern design which also acts as a heat sink allowing the fixture to operate at a much cooler temperature. Outdoor rated, waterproof.

FEATURES

- Solid Brass construction.
- Antique Bronze finish.
- High performance CREE LED's
- 450 Lumens
- Available in 40K
- Dimmable
- IP65 Outdoor / Wet Rated
- ETL LISTED
- MOUNTING STAKE INCLUDED WITH EVERY FIXTURE

DIMENSIONS



SPECIFICATIONS

VOLTAGE	12V
POWER CONSUMPTION	7W
LUMEN OUTPUT	450 Lumens
OPERATING FREQUENCY	50 / 60Hz
CCT	4000K
CRI	80+
DIMMING	YES
FINISH	Antique Bronze
IP RATING	IP65 wet location
OPERATING TEMPERATURE	-4 ~ 122°F (-20 ~ 50°C)
AMBIENT TEMPERATURE	-4 ~ 176°F (-20 ~ 80°C)
LUMEN MAINTENANCE	50,000 hrs.
MOUNTING	10" Hammer stake with cutout for wire
LENS	Clear flat glass
OPTICS	35° flood / 60° wide flood



ORDERING GUIDE EX: BFL-501-AB-30K-35-12V

BFL-501-AB			
MODEL	COLOR TEMPERATURE	BEAM ANGLE	VOLTAGE
	40K - 4000K	35 - 35° 60 - 60°	12V - 12V DC