

MODEL S50 S70

Description:

- Ventilating fan should be ceiling or wall mounted and capable of exhausting air quietly and efficiently.
- The S50, S70 fan is HVI certified.
- Torsion mounting-no tools required

Housing

- Built-in mounting ears
- Made of rugged 26 GA galvanized steel
- Ceiling or wall installation
- Detachable 3 inch or 4 inch polymeric collar
- Housing size:7 1/4"x7 1/2"x3 5/8"

Motor/Blower

- Plug-in permanently lubricated motor for continuous operation
- Power rating should be 120 volts and 60 Hz
- Fan should be ETL and cETL listed for tub/shower when used with a GFCI branch circuit.
- Low RPM for quiet performance
- Motor comes with a built in overload disconnect for safety and longer motor life

Grille

- The grille is low profile that has elegance and still able to maintain its simplicity.
- Made of a rugged polymeric resin that's known for its long life durability

Typical specification

- Ceiling ventilator shall have corrosion resistance galvanized steel.
- It shall be ducted to a roof vent or wall cap using 3 inch or 4 inch round pipe.
- Blower assembly shall be removable,have a centrifugal type blower wheel and permanently lubricated motor designed for continuous operation
- Air and sound delivery shall meet the HVI certified rating as per the fan curves attached.



Optional
Fluorescent Light

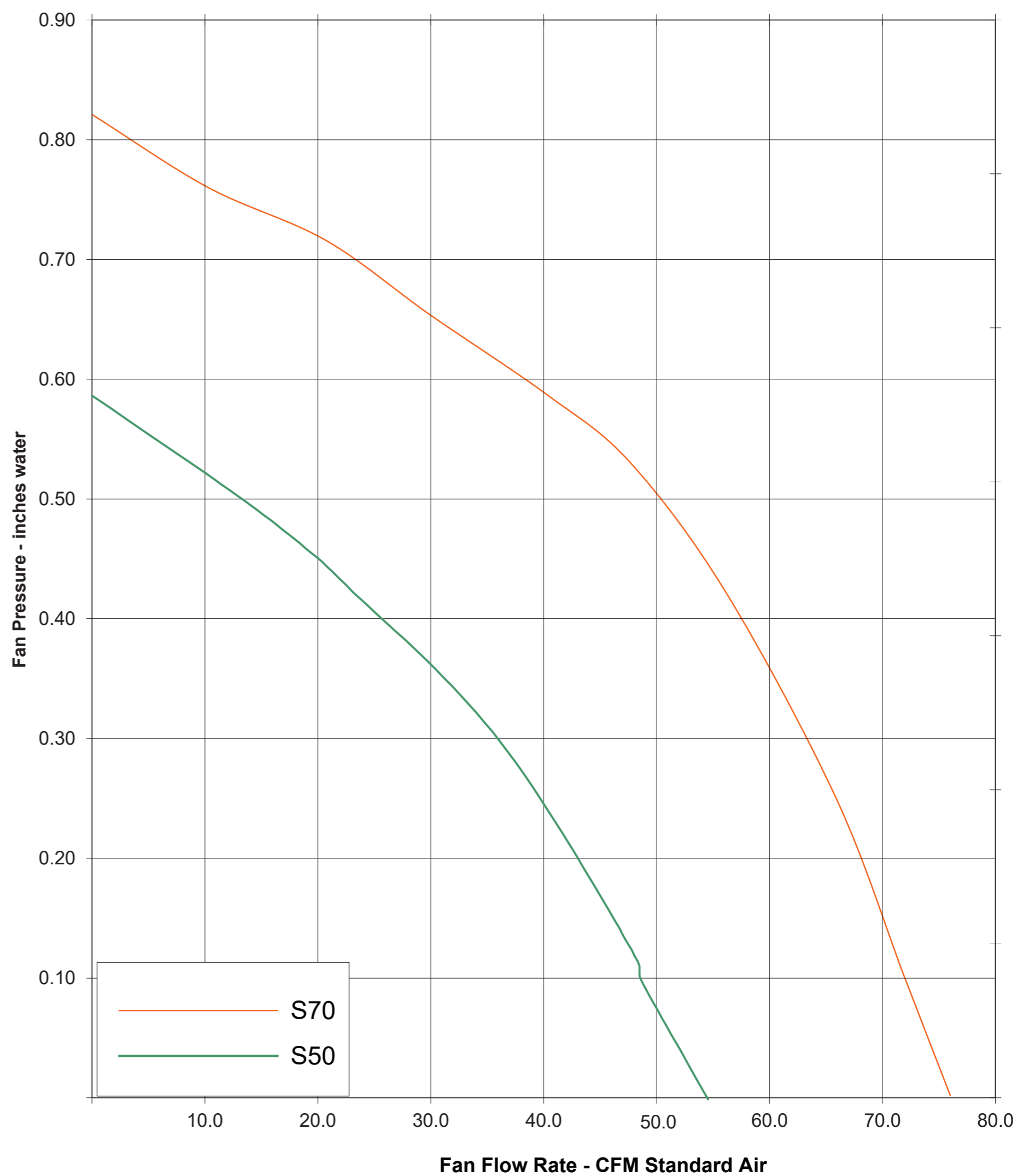
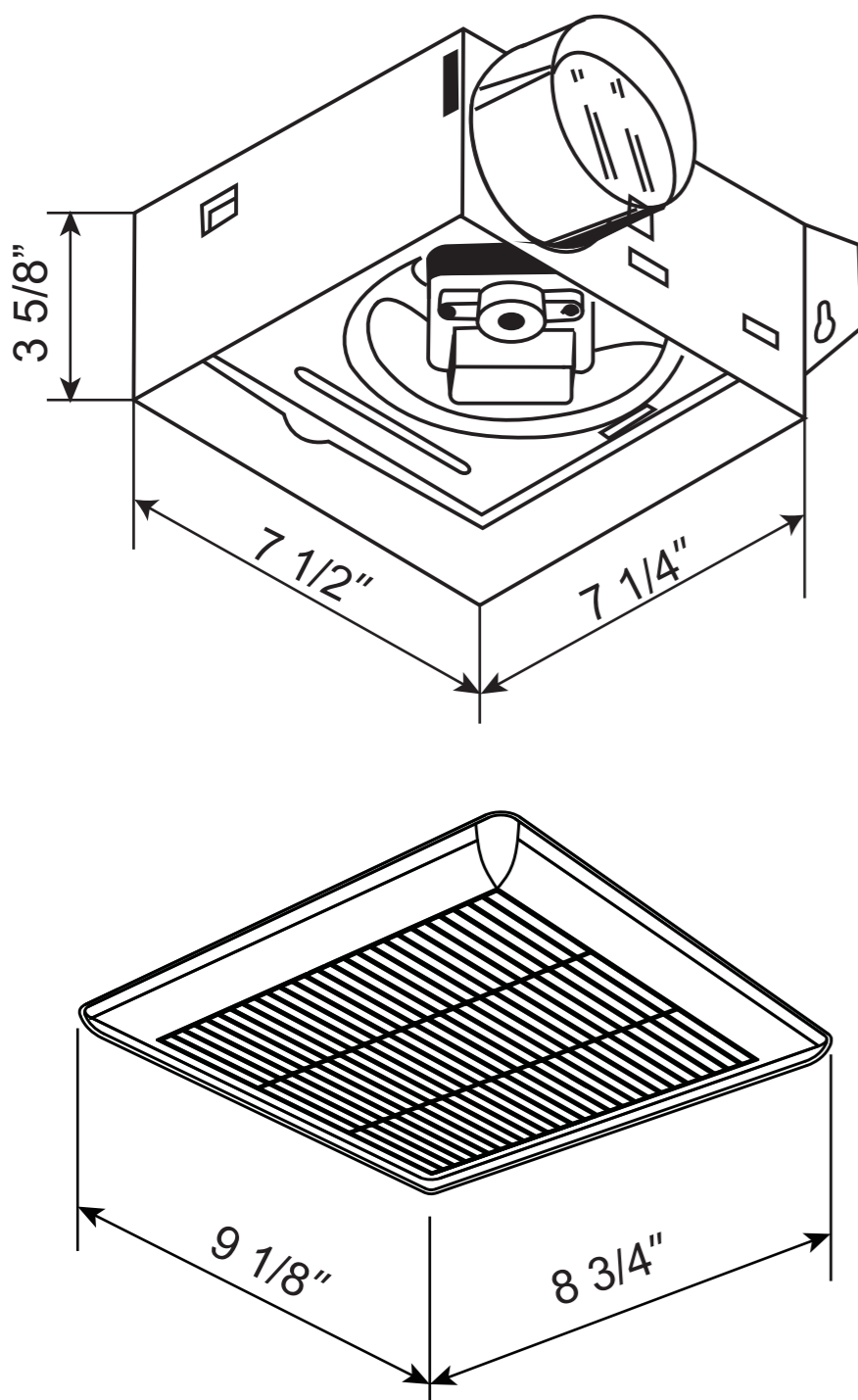
Reference	QTY.	Remarks	Project:
			Location:
			Architect:
			Engineer:
			Contractor:
			Submitted by:
			Date:

CERTIFICATIONS



MODEL S50 S70

Model Number	S50	S70
Static Pressure in inches w.g.	0.1	0.1
Air Volume (CFM)	50	70
Noise (sonse)	4.8	4.0
Fan Watts	45W	55W
Duct Diameter	3"	4"
Power Rating (V/Hz)	120/60	



CERTIFICATIONS

