



SES Low Profile Series

Moves Air Quietly Efficiently Economically

MODELS SES80 SES100

Ultra Silent, High Performance, Attractive Design Grille

Description

Ventilating fan should be ceiling or wall mounted and capable of exhausting air quietly and efficiently. The SES series is HVI and ENERGY STAR certified. It comes with a capacitor start motor which is known for its high efficiency and long lasting reliability. It holds an ETL evaluation and conforms to UL and cUL safety standards. This fan has a unique plug and play concept that allows you to add accessories such as motion sensor, humidistat, light, or even speed/controller without changing the fan.



Optional Humidity Sensor

Housing

Rust proof paint housing
 Detachable 4 inch round compatible collar which includes a light weight built in back draft damper.
 Double hanger bar mounting brackets that are adjustable up to 24 inch span allows for ideal positioning.

Motor/Blower

Plug in permanently lubricated motor- Engineered for continuous operation.
 The motor is energy efficient and surpasses the minimum ENERGY STAR requirements for continuous duty operation.
 Power rating should be 120 volts and 60 Hz
 Fan shall be ETL and cETL listed for tub/shower enclosure when used with a GFCI branch circuit.
 Motor comes with a built in overload disconnect for safety and longer motor life.
 Our SES series operates at lower RPM's to give you quieter operation.

Grille

The Premium grille is low profile that has elegance and still able to maintain its simplicity.
 Made of a rugged polymeric resin that's known for its long life durability.
 Comes with torsion spring clips that helps mount grille evenly.

Typical specification

Ventilation fan shall be ceiling or wall mount optional.
 It shall be ducted to a roof vent or wall cap using 4 inch round pipe.
 Blower assembly shall be removable, have a centrifugal type blower wheel and a permanently lubricated motor designed for continuous operation.
 Air and sound delivery shall meet the HVI certified ratings as per the fan curves attached.
 STERLING ventilators come with permanent split capacitor motor which improves efficiency this is why it has qualified to carry the ENERGY STAR label.

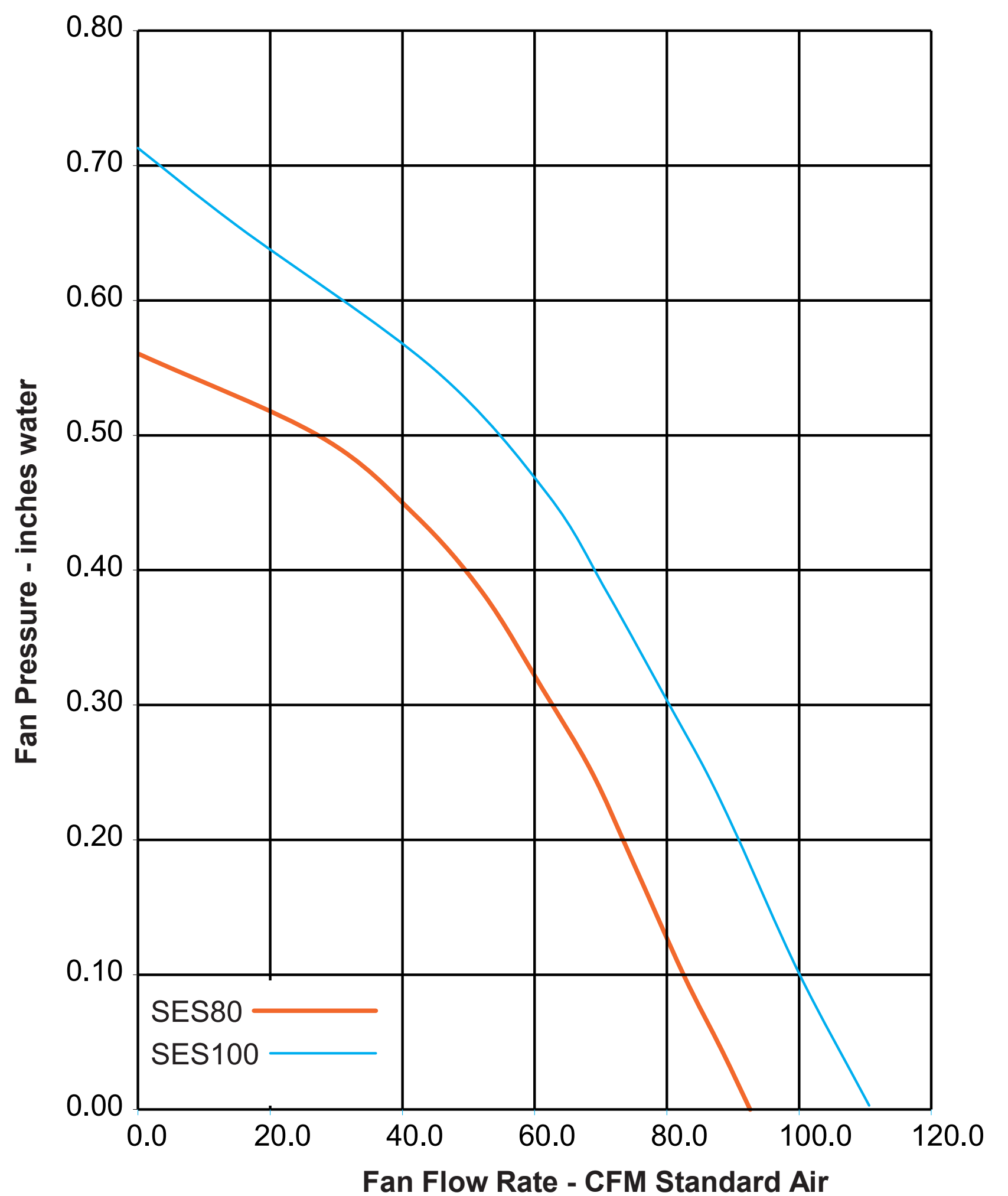
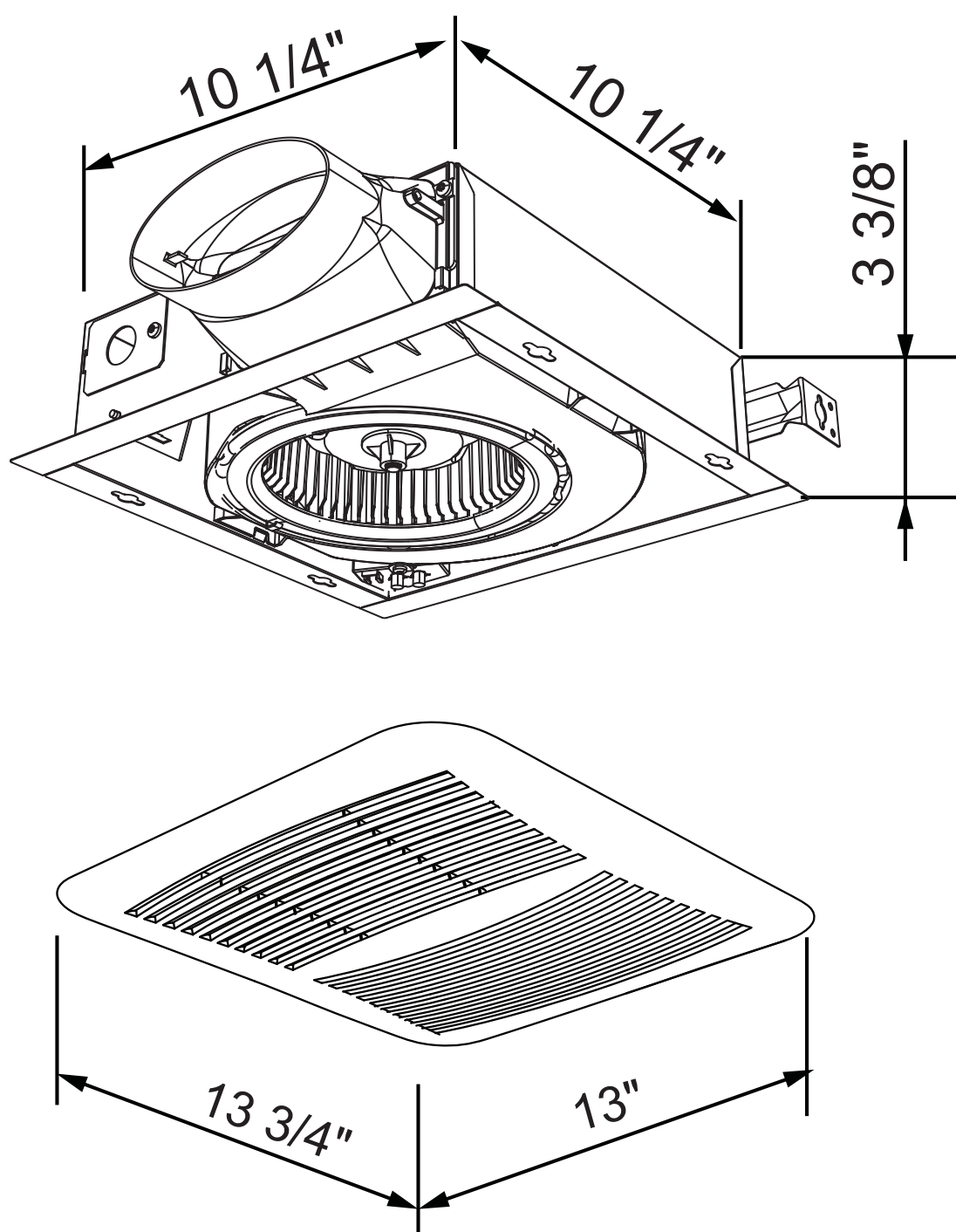
Reference	QTY.	Remarks	Project:
			Location:
			Architect:
			Engineer:
			Contractor:
			Submitted by:
			Date:

CERTIFICATIONS



SES Low Profile Series

Model Number	SES80		SES100	
Static Pressure in inches w.g.	0.1	0.25	0.1	0.25
Air Volume (CFM)	80	70	100	88
Noise (sonse)	0.7	N/A	1.1	N/A
Fan Watts	25W		25W	
Duct Diameter	3"		4"	
Power Rating (V/Hz)	120/60			



CERTIFICATIONS

