

COOPER LIGHTING SOLUTIONS - SURE-LITES®

Catalog #		Type
Project		
Comments		Date
Prepared by		

SPECIFICATION FEATURES

Construction

- Protects fixtures from tampering, vandalism, and accidental damage
- Made of durable, high-impact, UV resistant clear polycarbonate material
- Integral mounting holes (6 on VS1, 8 on VS2) facilitates installation (mounting hardware provided by others)
- Angled top surface to improve moisture runoff

- Angled front surface to minimize glare from ambient lighting
- Self-adhesive closed-cell neoprene gaskets provided with WP weather resistant versions
- WP weather resistant versions are provided with gasketed breather vent

Code Compliance

- UL 924 Rain Test (SD4.6)
- UL 924 Water Shield Impact Test (SD4.10)

Warranty

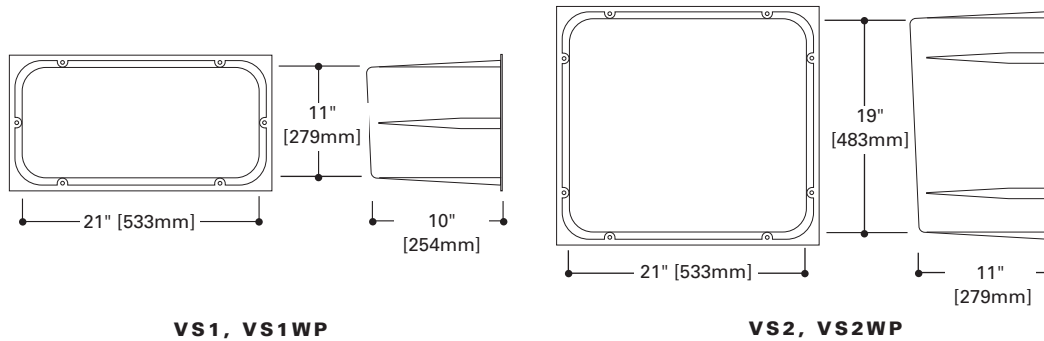
- 1-year



POLYCARBONATE VANDAL SHIELD WEATHER SHIELD

FIELD INSTALLED
ACCESSORIES

EMERGENCY & EXIT
LIGHTING



VS1, VS1WP

VS2, VS2WP

ORDERING INFORMATION

Catalog Number	Length	Height	Depth	For use with
VS1	21" (533mm)	11" (279mm)	10" (254mm)	AA, CAX, CC, CCX (AC only or Self-Powered), CHX (AC only), CU, LM, P4C, PLX (AC only), R/G/CX/OF, CX, LPX (without heads), ST Series; Remote Heads, EAX (AC only)
VS1WP	21" (533mm)	11" (279mm)	10" (254mm)	AA, CAX, CC, CCX (AC only or Self-Powered), CHX (AC only), CU, LM, P4C, PLX (AC only), R/G/CX/OF, CX, LPX (without heads), ST Series; Remote Heads
VS2	21" (533mm)	19" (483mm)	11" (279mm)	CCX (with Heads), CHX (Self-Powered), EAX (Self-Powered), EP/EPH/UN/UNH (Self-Powered or with Heads), HR, NCB (except NCB12225), PLX (Self-Powered or with Heads), LPX (with heads), UMB, XR Series, CC7, CC8
VS2WP	21" (533mm)	19" (483mm)	11" (279mm)	CCX (with Heads), CHX (Self-Powered), EP/EPH/UN/UNH (Self-Powered or with Heads), HR, NCB (except NCB12225), PLX (Self-Powered or with Heads), LPX (with heads), UMB, XR Series, CC7, CC8

TOTALLY PREDICTABLE
RELIABILITY