



Color: White

Weight: 0.0 lbs

Project:	Type:
Prepared By:	Date:

Technical Specifications

Performance

Description:

This 4-inch adjustable gimbal wafer downlight has an ultra low-profile design and 5 field adjustable color temperatures making them a flexible solution for both new construction and retrofit applications. The remote driver box has quick connectors, knockouts, and plenty of space for daisy chain wiring or adding an emergency backup unit.

Product Type:

Recessed Downlights

Input Wattage:

8W

Lumens (Nominal):

650lm

Efficacy:

81.3 lm/W

L70 Lifespan:

50,000-Hour LED lifespan based on IES LM-70 results

Dimming:

Yes, See Dimmer Compatibility List

Compliance

UL Listed:

Suitable for wet locations

Electrical

THD:

≤20%

Power Factor:

0.9

Operating Frequency:

60 Hz

Construction

Material:

Plastic

Trim Style:

Smooth Trim

Shape:

Round

Technical Specifications (continued)

Construction

Mounting:

Recessed ceiling

Operating Temperature Range:

-20°C to 40°C

Other

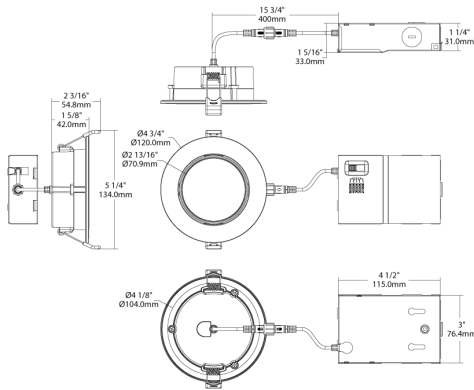
Warranty:

RAB warrants that our LED products will be free from defects in materials and workmanship for a period of five (5) years from the date of delivery to the end user, including coverage of light output, color stability, driver performance and fixture finish. RAB's warranty is subject to all terms and conditions found at rablighting.com/warranty.

Buy American Act Compliance:

RAB values USA manufacturing! Upon request, RAB may be able to manufacture this product to be compliant with the Buy American Act (BAA). Please contact customer service to request a quote for the product to be made BAA compliant.

Dimensions



Features

- 5 color temperatures in 1 SKU (2700K, 3000K, 3500K, 4000K, 5000K)
- Super slim Edge-lit fixture for thin fixture depth
- No recessed housing or J-box required
- New construction or retrofit applications
- UL wet location rated
- Smooth diffused uniform light distribution
- Dimmable down to 5% on compatible dimmers
- Spring loaded retention clips
- Robust, die cast aluminum construction
- IC and airtight rated
- 5-Year, No-Compromise Warranty

Ordering Matrix

Family	Size	Shape	Wattage	CRI/Color Temp	Voltage	Finish	Trim
WFRLA	4	R	8	9FA	120	W	S
	3 = 3"	R = Round	6 = 6W	9FA = 90 CRI, 5000/4000/3500/2700K	120 = 120V	W = White	B = Baffle S = Smooth
	4 = 4"		9 = 9W	9CCT = 90 CRI, 5000/4000/3500/2700K	D = 120V/277V		
	6 = 6"		10.5 = 10.5W				
	8 = 8"		13 = 13W				
			14 = 14W				
			23 = 23W				