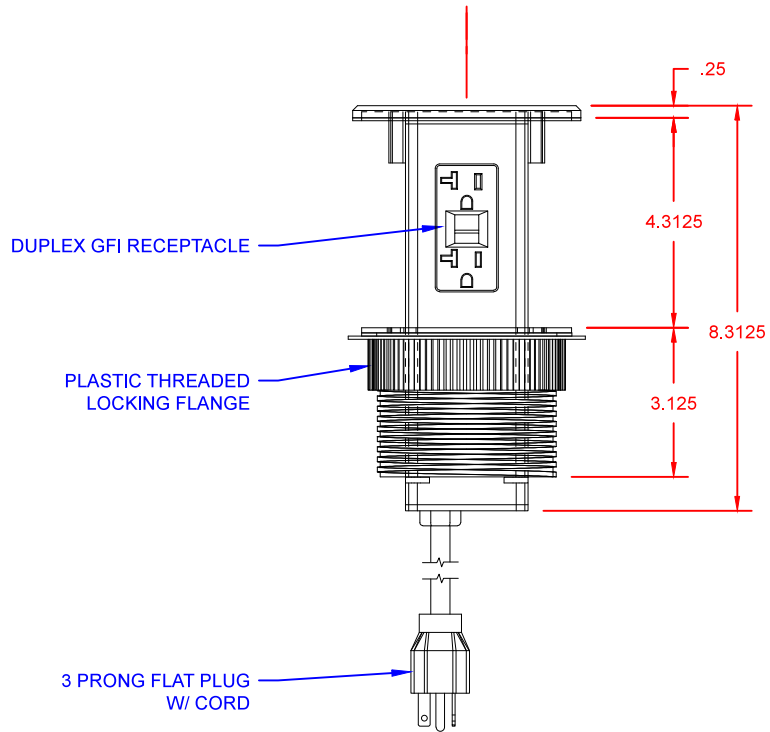
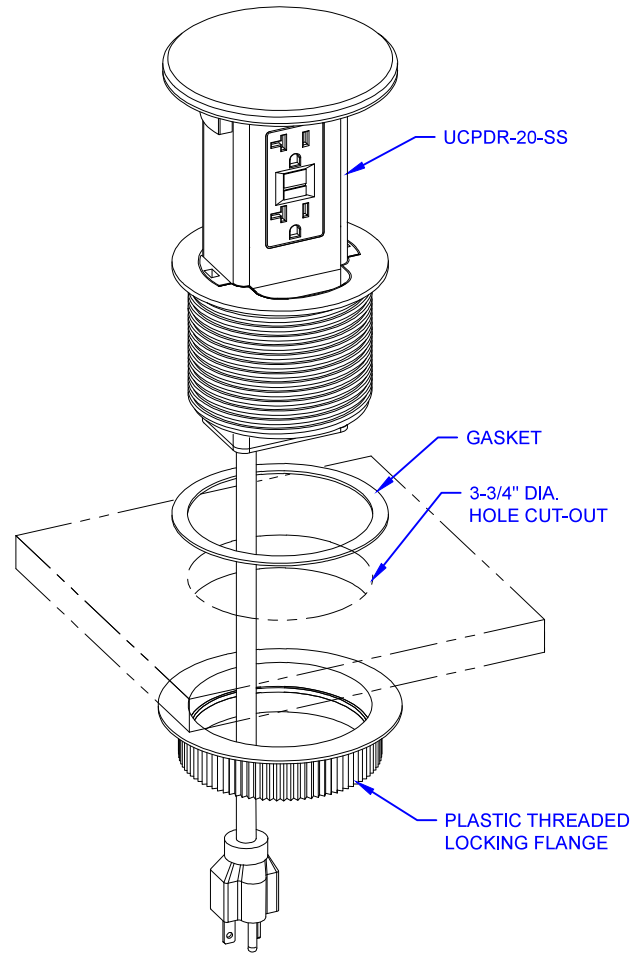



TOP VIEW



FRONT VIEW





LEW ELECTRIC FITTINGS COMPANY
SERVING THE ELECTRICAL INDUSTRY SINCE 1901

371 Randy Rd, Carol Stream, IL 60188
PHONE: 630.665.2075

| | | | |
|--------------------------------------|---------------|--------------|--------------------|
| UNLESS OTHERWISE SPECIFIED: | | NAME | DATE |
| DIMENSIONS ARE IN INCHES: | | DRAWN | SMK 09/20/2021 |
| FRACTIONAL ± | | | |
| TOLERANCES: | | | |
| ANGULAR: MACH ± | | | |
| BEND ± | | | |
| TWO PLACE DECIMAL ± | | | |
| THREE PLACE DECIMAL ± | | | |
| INTERPRET GEOMETRIC TOLERANCING PER: | | COMMENTS: | |
| MATERIAL | | | |
| FINISH | | | |
| DO NOT SCALE DRAWING | | | |
| TITLE: | | | UCPDR-20-SS |
| | | | |
| SIZE | DWG. NO. | REV | |
| A | 000001 | A | |
| WEIGHT: | | SHEET 1 OF 1 | |