

decora® SureSlide® Controls



6672



6674



66DF

APPLICATION

Leviton Decora SureSlide® controls provide smooth, slide-action, full-range dimming for a variety of load types. Pre-set models feature a separate ON/OFF switch, allowing the user to set the desired brightness level to operate automatically with the ON/OFF function. The 6672 is a slide-to-off model for users who choose to adjust lighting levels each time the device is used. The SureSlide line offers models that are designed specifically for dimmable LED and CFL lamps, models for ELV applications, and also a fan speed control.

FEATURES AND BENEFITS

- Integrated linear full-range slide control for easy, precise operation
- Preset versions provide single pole or 3-way lighting control when used with a 3-way switch
- Slim, compact housing fits easily into a standard wallbox and is suitable for multi-gang installations
- Built-in radio/TV interference filter

LED/CFL/Incandescent Dimmer

- Designed specifically for dimmable LED and CFL lamps as well as incandescent
- Features a built-in starting technology for CFL lamps
- Wider dimming range on LED and CFL lamps than conventional incandescent dimmers
- Optional programming feature allows for users to modify the dimming range to optimize low light level performance when required
- 6672 and 6674 can be used to comply with 2016 California Title 24, Part 6 Indoor Lighting Switching Devices and Controls

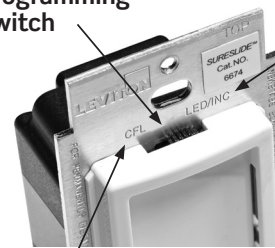
Quiet Fan Speed Control

- Special circuitry to reduce fan motor noise at low speeds
- Quiet 1.5 amp fan speed control is perfect for libraries, home offices, bedrooms and any area where ceiling fan noise could become distracting
- Selection of low, medium or high fan speeds

Dual Quiet Fan/Light Control

- Separate controls for fan and light level selection
- Designed for use with LED/CFL and incandescent lamps
- Minimum adjustment dial to modify the dimming range
- Special circuitry to reduce fan motor noise at low speeds
- Selection of low, medium or high fan speeds

Lamp Selector/ Programming Switch



LED/Incandescent mode optimizes dimming of LED lamps

CFL Mode provides “kick start” for CFL lamps. Also can be used to re-calibrate the preset to ensure lamp starts at lowest light level

Leviton Mfg. Co., Inc.

SPECIFICATIONS

Electrical

- Input 120VAC @ 60Hz
- 6672/6674: 150W LED and CFL, 600W Incandescent
- 66EV: 300W ELV
- 661F: 1.5A Fan
- 66DF: 1.5A Fan, 150W LED/CFL, 300W INC
- RFI noise suppression

Mechanical for 6672

- Dimmer control – slide bar
- Slide to OFF
- Single Pole
- Optional locator light

Mechanical for 6674, 66EV & 661F

- Dimmer and fan speed control – slide bar
- ON/OFF rocker switch
- 3-way capable with 3-way switch
- ON/OFF switch provides air-gap switch for servicing device

Mechanical for 66DF

- Separate dimmer and fan speed control slide bars
- Slide to OFF
- Single Pole

TYPICAL SPECIFICATIONS

- Operating Temperature Range: 0°C to 55°C
- Storage Temperature Range: -10°C to 85°C
- Relative Humidity: 20% to 90% non-condensing

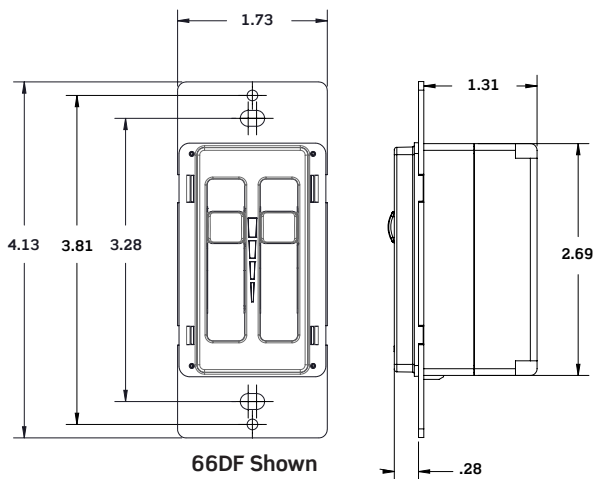
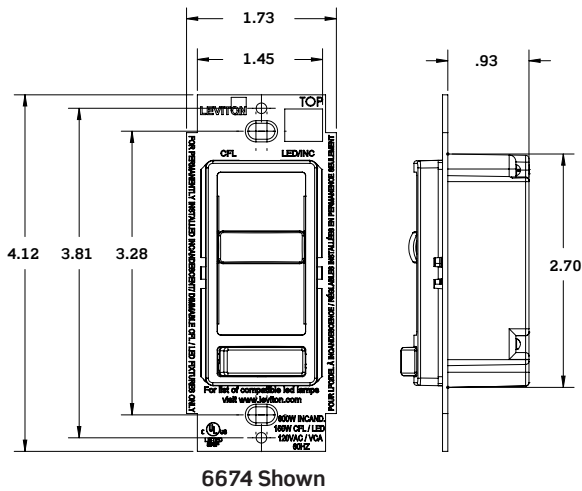
AGENCY STANDARDS AND COMPLIANCE

- UL 1472 Solid State Dimming Controls
- CSA 22.2 No. 184.1
- UL 1917 Fan Control
- NEMA SSL 7A Compliant (6672 and 6674 only)
- California Title 24 Compliant (6672 and 6674 only)

WARRANTY INFORMATION

Five-Year Limited Warranty

DIMENSIONAL DRAWINGS



WIRING DIAGRAMS

Diagram 1

Single pole wiring for incandescent, LED and compact fluorescent dimmers.

Cat. No. 6672

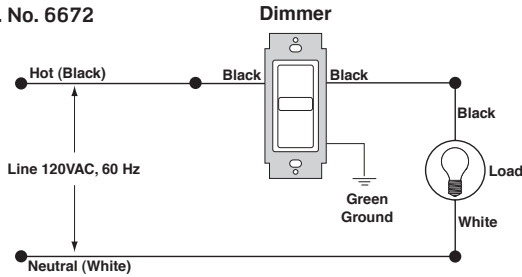


Diagram 2

Single pole wiring for incandescent, LED, CFL dimmers or fan speed control.

Cat. No. 6674/661F

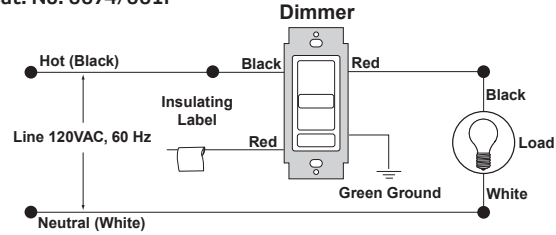


Diagram 3

3-way wiring for incandescent, LED, CFL dimmers or fan speed control.

Cat. No. 6674/661F

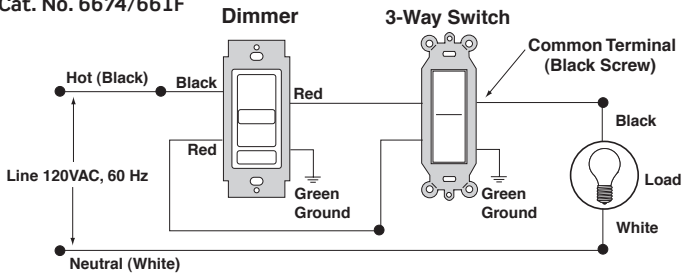


Diagram 4

Single pole wiring for electronic low voltage dimmer.

Cat. No. 66EV

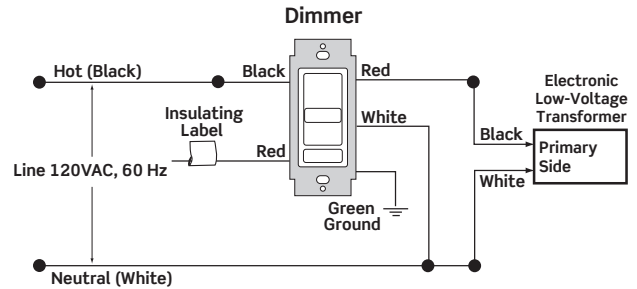


Diagram 5

3-way wiring for electronic low voltage dimmer.

Cat. No. 66EV

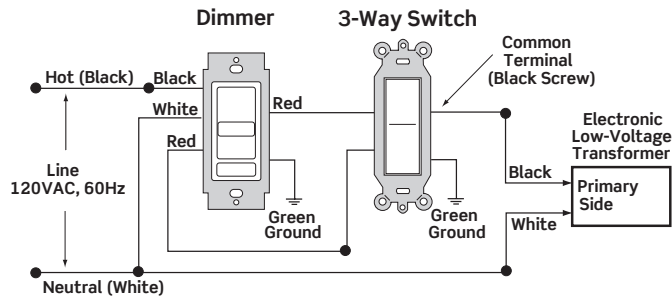
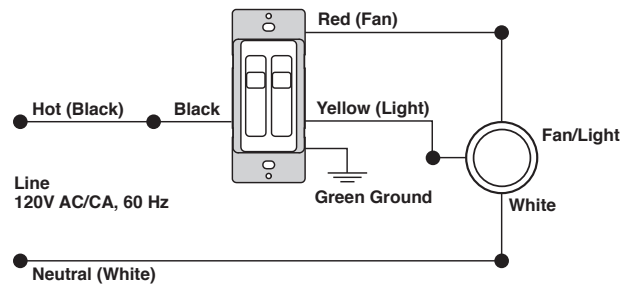


Diagram 6

Single pole wiring for dual fan/light dimmer.

Cat. No. 66DF



ORDERING INFORMATION

CAT. NO.	DESCRIPTION	RATING	COLOR
6672	LED/CFL/Incandescent Dimmer, Single Pole, Slide to OFF	150W LED/CFL 600W Incandescent	W, I, T
6674	LED/CFL/Incandescent Dimmer, Single Pole or 3-way with pre-set ON/OFF switch	150W LED/CFL 600W Incandescent	W, I, T, E, B
66EV	Electronic Low Voltage Dimmer, Single Pole or 3-way with pre-set ON/OFF switch	300W ELV	W, I, T
66DF	Dual Quiet Fan/Light Control, Single Pole, Slide-to-OFF - 1.5A Fan	150W LED/CFL, 300W Incandescent	W, I, T
661F	Quiet Fan Speed Control, Single Pole or 3-way with pre-set ON/OFF switch	1.5A Fan	W, I, T

To order colors, add suffix to basic Cat. No. White (-W), Ivory (-I), Light Almond (-T), Black (-E) and Brown (-B).

Leviton Manufacturing Co., Inc.

201 North Service Road, Melville, NY 11747-3138

Telephone: 1-800-323-8920 • Fax: 1-800-832-9538 • Tech Line: 1-800-824-3005 - Mon-Fri 8am-10pm EST, Saturday 9am-7pm EST

Leviton Manufacturing of Canada, Ltd.

165 Hymus Boulevard, Pointe Claire, Quebec H9R 1E9 • Telephone: 1-800-469-7890 • Fax: 1-800-563-1853

Leviton S. de R.L. de C.V.

Lago Tana 43, Mexico DF, Mexico CP 11290 • Tel. (+52) 55-5082-1040 • Fax. (+52) 5386-1797 • www.leviton.com.mx

Visit our website at www.leviton.com/dimmers

© 2019 Leviton Manufacturing Co., Inc. All rights reserved. Subject to change without notice.



G-8643C/B19-dp