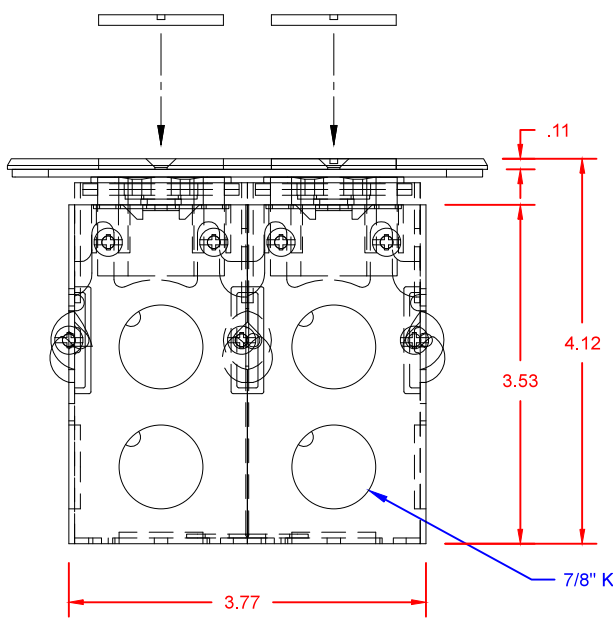
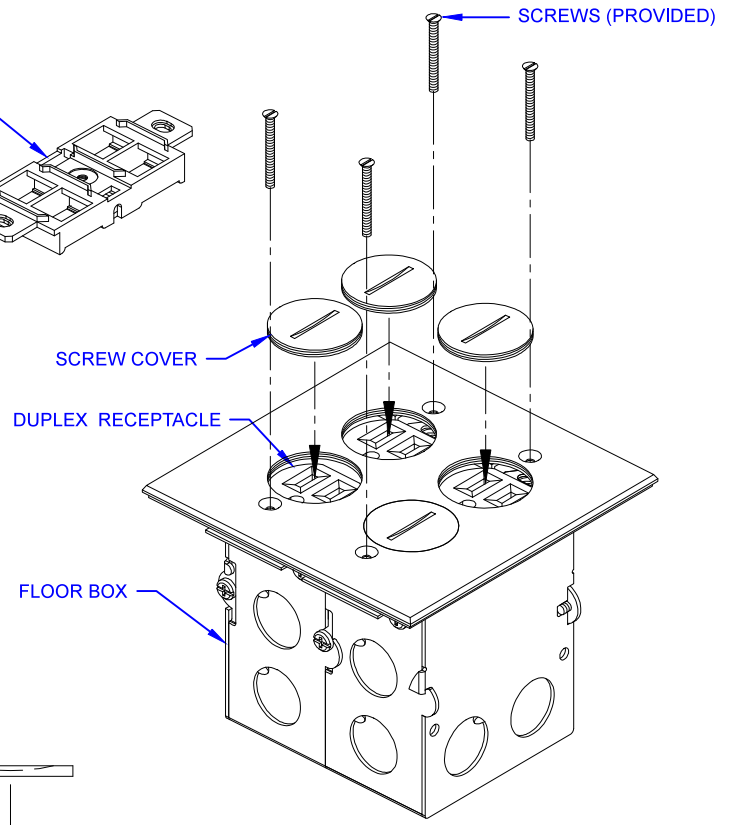
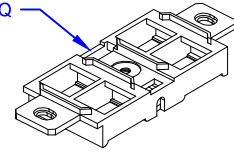
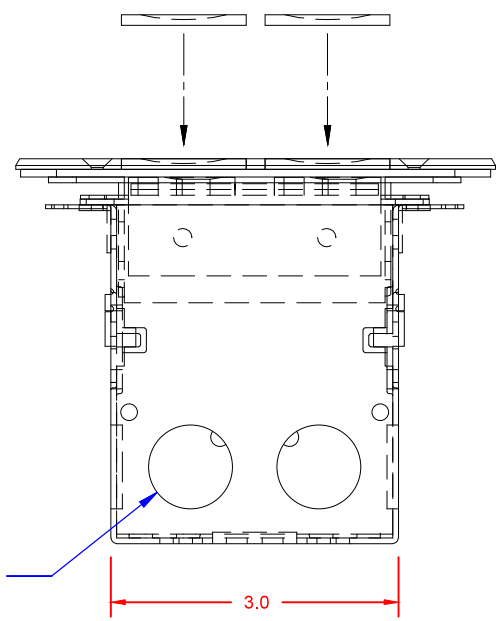


TOP VIEW


OPTIONAL RRP2-PQ
QUAD PORT DATA
DEVICE



FRONT VIEW



SIDE VIEW



**LEW ELECTRIC
FITTINGS COMPANY**
SERVING THE ELECTRICAL INDUSTRY SINCE 1901

371 Randy Rd, Carol Stream, IL 60188
PHONE: 630.665.2075

| | | | | |
|---|-----------|------|------|---|
| UNLESS OTHERWISE SPECIFIED: | DRAWN | NAME | DATE | TITLE: SWB-4 |
| DIMENSIONS ARE IN INCHES | SMK | | | |
| TOLERANCES: FRACTIONAL ± ANGULAR: MACH ± BEND ± TWO PLACE DECIMAL ± THREE PLACE DECIMAL ± | | | | |
| INTERPRET GEOMETRIC TOLERANCING PER: | COMMENTS: | | | SIZE DWG. NO. REV A 000001 A |
| MATERIAL | | | | |
| FINISH | | | | WEIGHT: SHEET 1 OF 1 |
| DO NOT SCALE DRAWING | | | | |