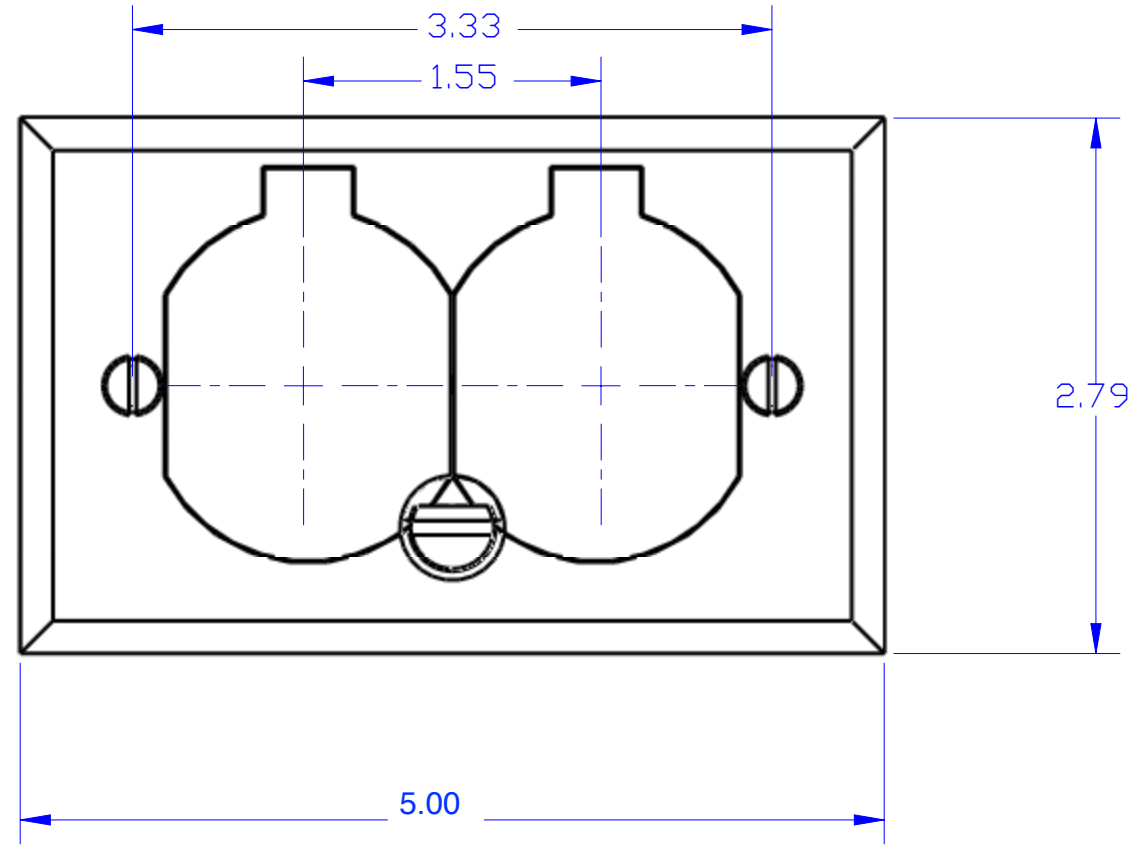


DESCRIPTION:  
 BRASS, RECESSED FLOOR PLATE FLIP LID  
 ASSEMBLY (COMM./DATA WITH BOX); RRP-2-PQ  
 INCLUDED



BRASS, [2] 6-32 X .75 FLAT HEAD  
 SCREW [1.25 ALSO PROVIDED]

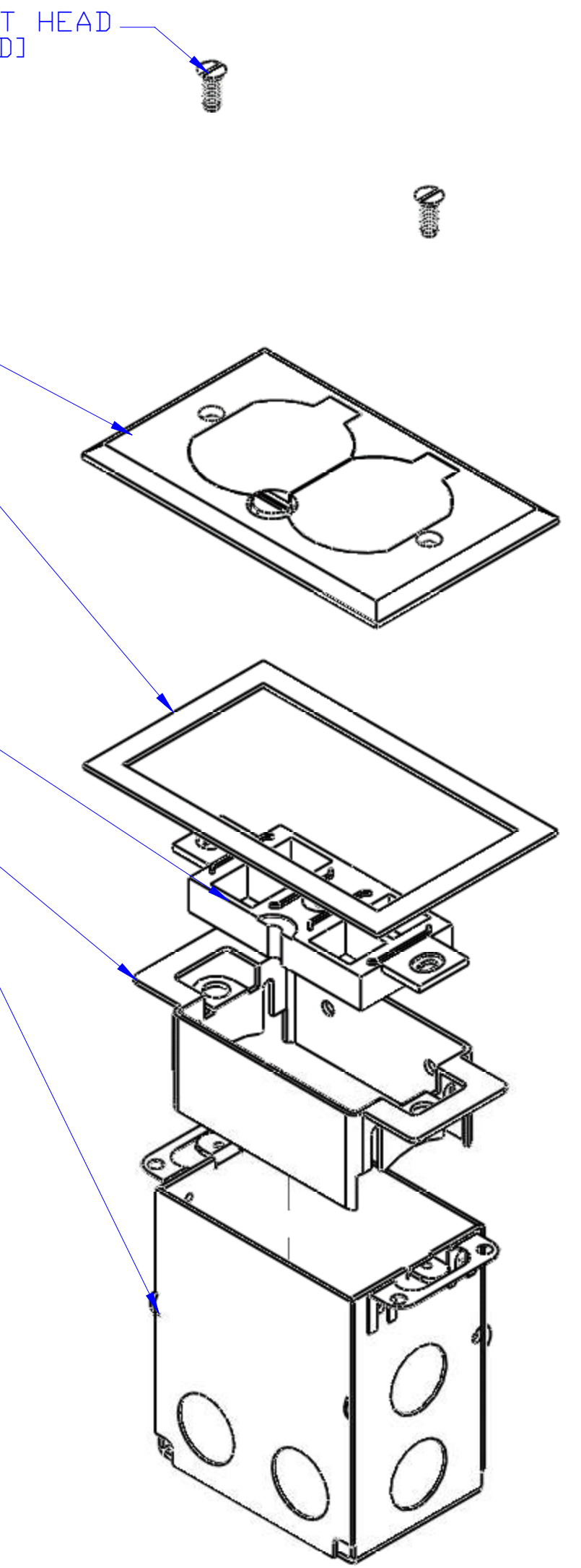
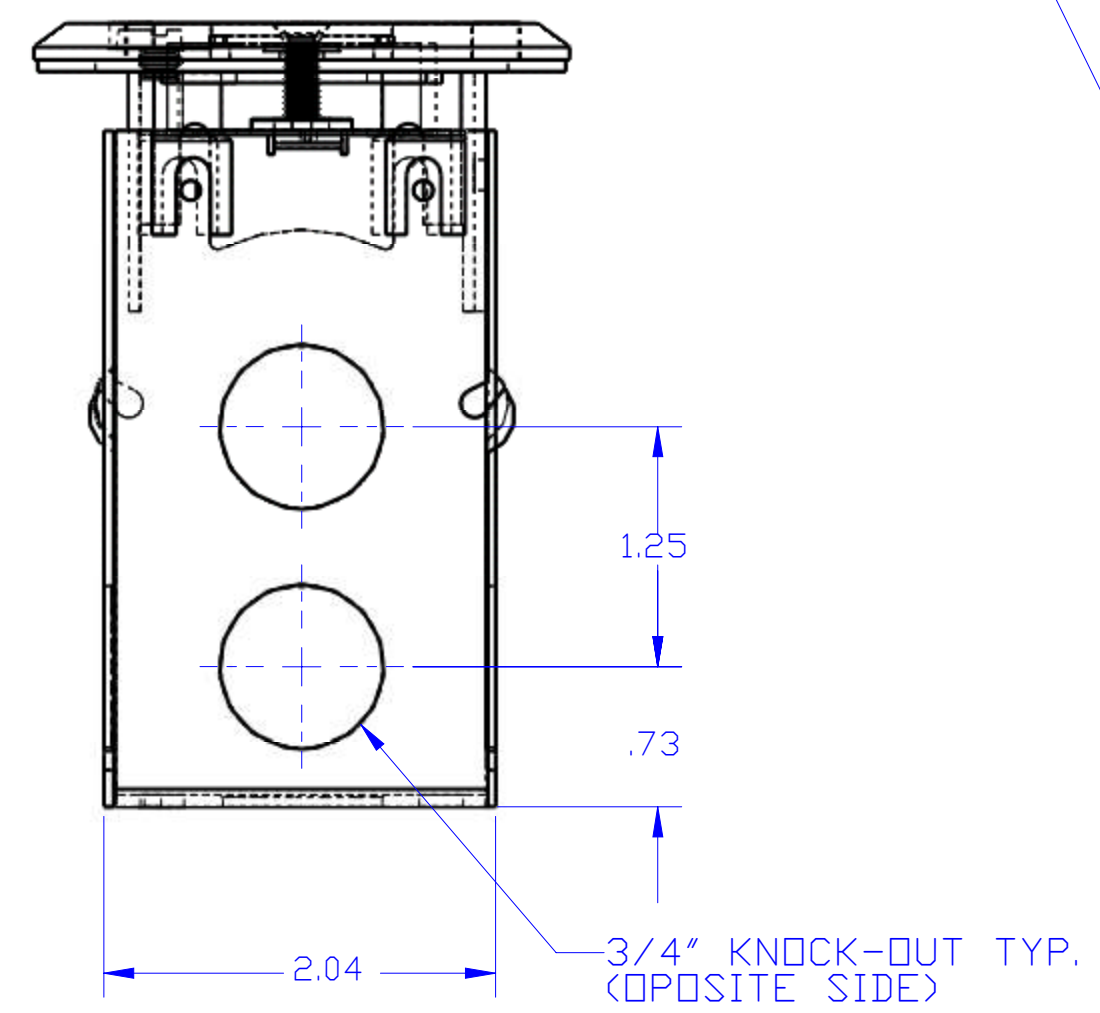
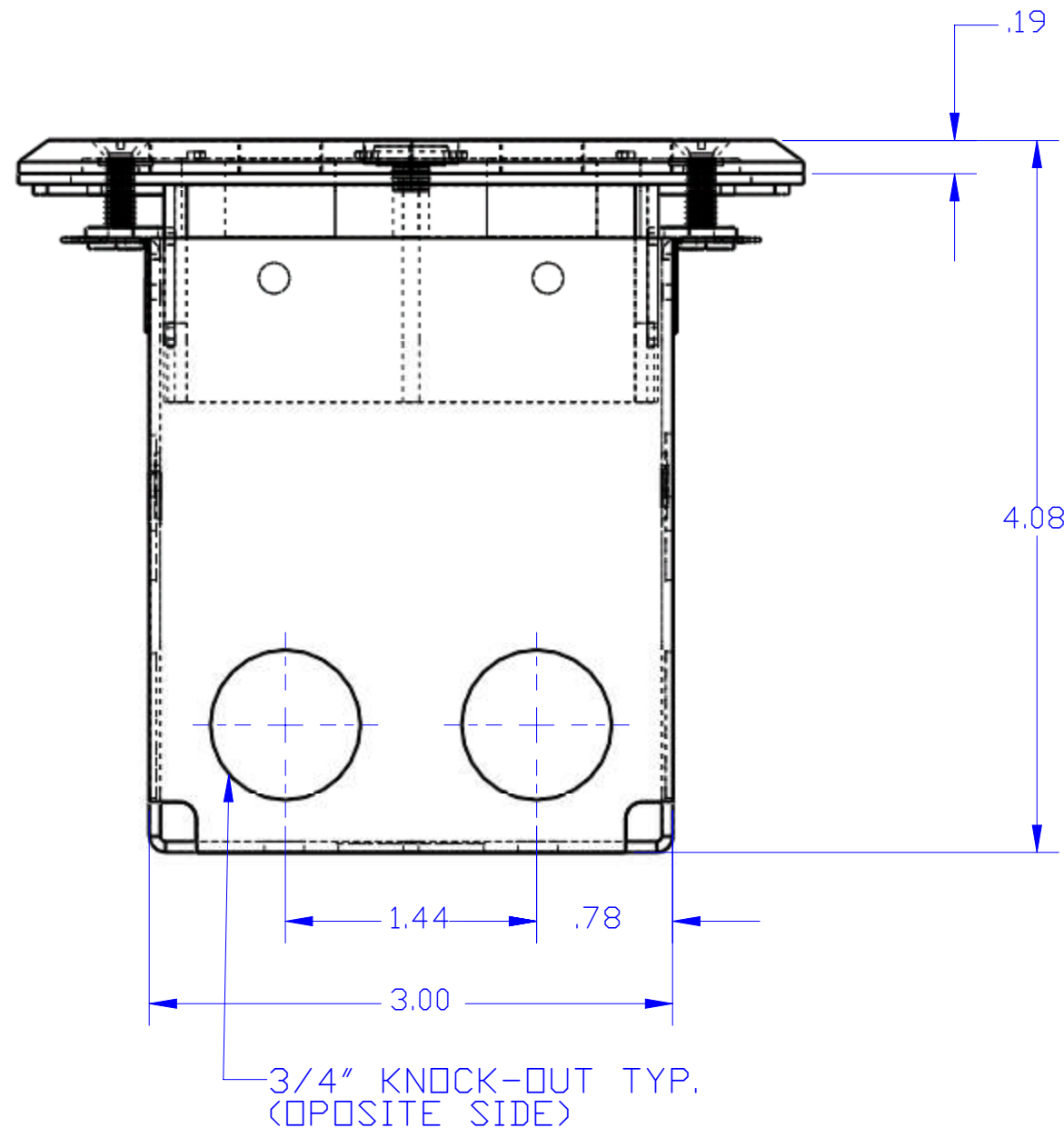
RRP-2-LRR

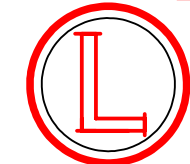
NEOPRENE GASKET

RRP-2-PQ

RRP-2-R

STAMPED STEEL BOX





**LEW ELECTRIC  
 FITTINGS COMPANY**  
 SERVING THE ELCTRICAL INDUSTRY SINCE 1901

371 Randy Rd, Carol Stream IL 60188  
 PHONE: 630-665-2075

UNLESS OTHERWISE SPECIFIED: DIMENSIONS ARE IN INCHES TOLERANCES: FRACTIONAL: ± ANGULAR: MATCH ± BEND ± TWO PLACE DECIMAL ± THREE PLACE DECIMAL ± INTERPRET GEOMETRIC TOLERANCING PER: MATERIAL: FINISH: DO NOT SCALE DRAWING	NAME: P.J.G. DATE: 12/1/2007	TITLE: <h2 style="margin: 0;">SWB-2-LR-T</h2>
COMMENTS:	SIZE: <b>C</b>	DWG. NO.: REV: <b>A</b>
WEIGHT:		SHEET 11 OF 12