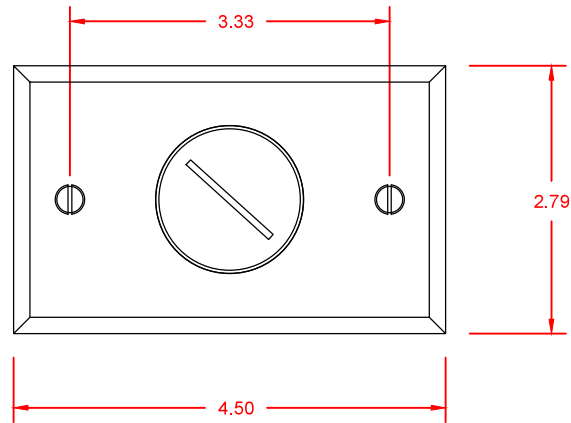
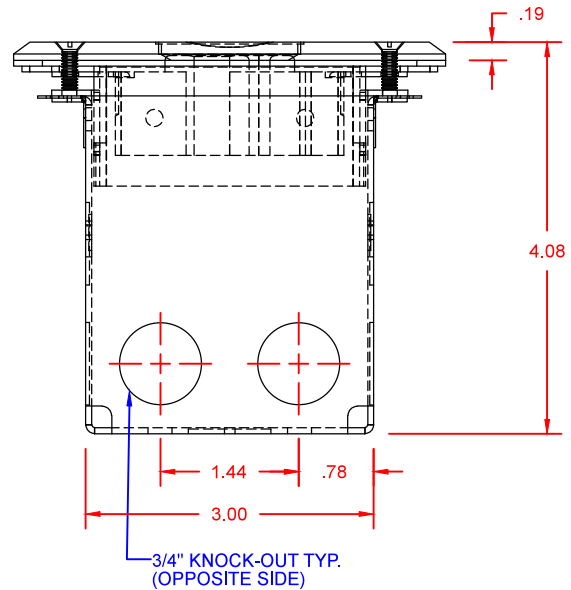


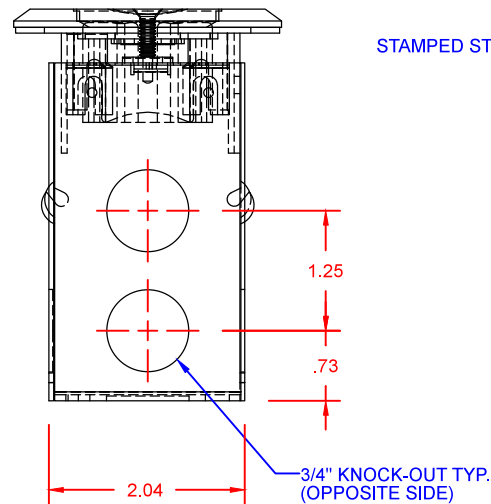
DESCRIPTION:
NICKEL PLATED RECESSED FLOOR PLATE
ASSEMBLY (SINGLE RECEPTACLE WITH BOX)



TOP VIEW



FRONT VIEW



SIDE VIEW

STAINLESS, [2] 6-32 X .75 FLAT HEAD
SCREWS [1.25 ALSO PROVIDED]

6213-NP PLUG

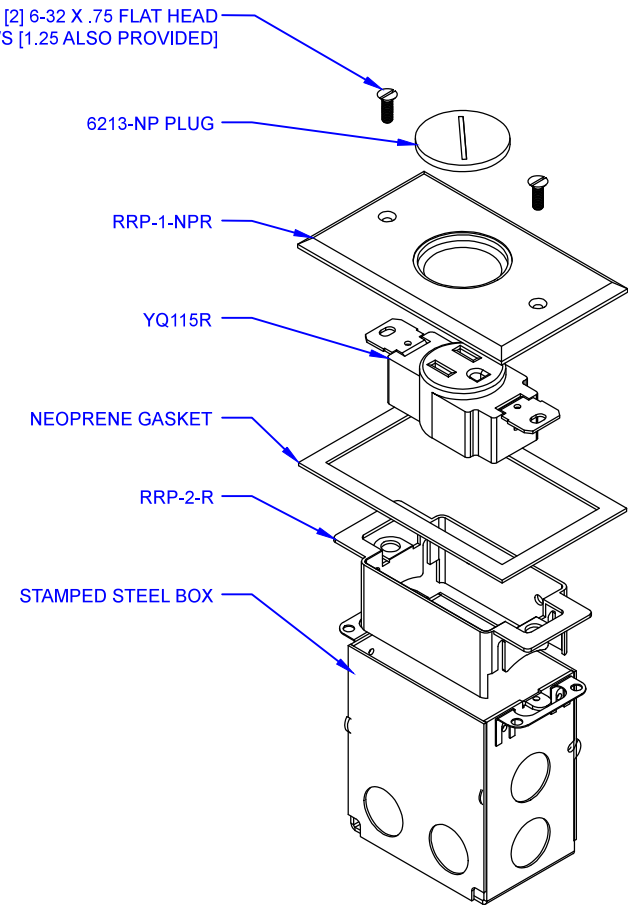
RRP-1-NPR

YQ115R

NEOPRENE GASKET

RRP-2-R

STAMPED STEEL BOX



**LEW ELECTRIC
FITTINGS COMPANY**
SERVING THE ELECTRICAL INDUSTRY SINCE 1901
1626 Tobacco Road, Augusta, GA 30906
PHONE: 877.537.2019

UNLESS OTHERWISE SPECIFIED:		NAME	DATE	TITLE: SWB-1-NP
DIMENSIONS ARE IN INCHES:		PJG	12/01/2007	
FRACTIONAL ±		REVISED	SMK	08/14/2022
ANGULAR: MACH ±	BEND ±			
TWO PLACE DECIMAL ±				
THREE PLACE DECIMAL ±				
INTERPRET GEOMETRIC TOLERANCING PER:	COMMENTS:			
MATERIAL:			SIZE	DWG. NO.
FINISH:			A	000001
DO NOT SCALE DRAWING			WEIGHT:	REV A
			SHEET 1 OF 1	