



Super Stealth Sensor with Total 360 + 180 "Can't Miss" Coverage, Surge Protection, Scanning LEDs, Evening Timer and Color Matched Lens, universal CU4 cover plate included.

Color: Bronze

Weight: 1.5 lbs

Project:	Type:
Prepared By:	Date:

**Technical Specifications**

**Compliance**

**UL Listed:**

Suitable for wet locations

**Electrical**

**Voltage:**

120V AC 60Hz

**Power Consumption:**

1W

**Surge Protection:**

Withstands up to 6000 volts

**Wall Switch Manual Override:**

Two flip logic prevents activation by momentary power outages. Override resets to auto at dawn. No extra wiring needed.

**RF Immunity:**

Circuits fully shielded for maximum radio frequency immunity

**Switching Capacity:**

8 amps, 1000W incandescent @ 120 volts

**Sensor Settings**

**Time Adjustment:**

5 seconds to 12 minutes

**Wide Sensitivity Control:**

Adjustable from 100% to 30%

**Evening Timer:**

Keeps lights on for 1-8 hours after dusk. Then sensor is motion activated until dawn.

**Set it and forget it:**

STL360's full coverage pattern reduces need for aiming and adjustment

**Advanced Detection Logic:**

Minimizes false triggers

**Photoelectric Control:**

Deactivates lights during daylight.

**Detection:**

Senses 180° and 360° down for Total Detection

**LED Characteristics**

**Scanning LEDs:**

3 LEDs continually scan back-and-forth

**Color Matched Lens:**

Dark lens with bronze units, white lens with white units

**Construction**

**Temperature Compensation:**

Sensitivity adjusted automatically for consistent detection in hot and cold ambient temperatures

**Lens Masks:**

Customized press apply lens mask included to reduce coverage easily

**Installation**

**Mounting:**

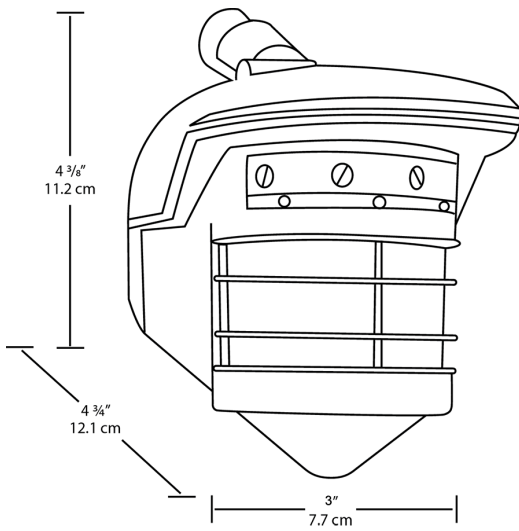
CU4 plate allows the sensor to be mounted under a soffit

**Other**

**Warranty:**

10-year sensor warranty

## Dimensions



## Features

- Senses  $180^\circ$  out +  $360^\circ$  down for total detection
- Radio frequency immunity
- 6000 volt surge protection
- Quick test time
- Color matched vandal resistant
- 1000 Watt switching capacity
- Pre-wired and pre-assembled on CU4 universal EZ plate
- Protected manual override with auto reset
- Can be wired in parallel