



STEALTH Sensor with 110° view. Double Look Down lens, surge protection, LED detection indicator and Color Matched Lens.

Color: Bronze

Weight: 0.9 lbs

Project:	Type:
Prepared By:	Date:

**Technical Specifications**

**Compliance**

**UL Listed:**

Suitable for wet locations

**Electrical**

**Power Consumption:**

1W

**Surge Protection:**

Withstands up to 6000 volts

**Wall Switch Manual Override:**

Two flip logic prevents activation by momentary power outages. Override resets to auto at dawn. No extra wiring needed.

**RF Immunity:**

Circuits fully shielded for maximum radio frequency immunity

**Voltage:**

120V AC 60 Hertz

**Switching Capacity:**

1000W incandescent @ 120 volts, 8 amps

**Sensor Settings**

**Time Adjustment:**

5 seconds to 12 minutes

**Wide Sensitivity Control:**

Adjustable from 100% to 30%

**Advanced Detection Logic:**

Minimizes false triggers

**Photoelectric Control:**

Deactivates lights during daylight.

**Detection:**

Angle of view = 110°  
 Recommended Mounting Height = 10'-0"  
 Maximum Recommended Look-Out Zone = 50'-0"

**Construction**

**Temperature Compensation:**

Sensitivity adjusts automatically for consistent detection in hot and cold ambient temperatures

**Horizontal Lock, No-tool Joints:**

Keeps sensing pattern level for fast, error-free installation

**Floodlights:**

Precision die cast aluminum. 1/2" NPS threaded arm with serrated locking swivel fits all standard mounting boxes and covers.

**LED Characteristics**

**LED Detection Indicator:**

Shows when sensor is detecting in daytime and glows red at night for "on-guard" deterrence

**Color Matched Lens:**

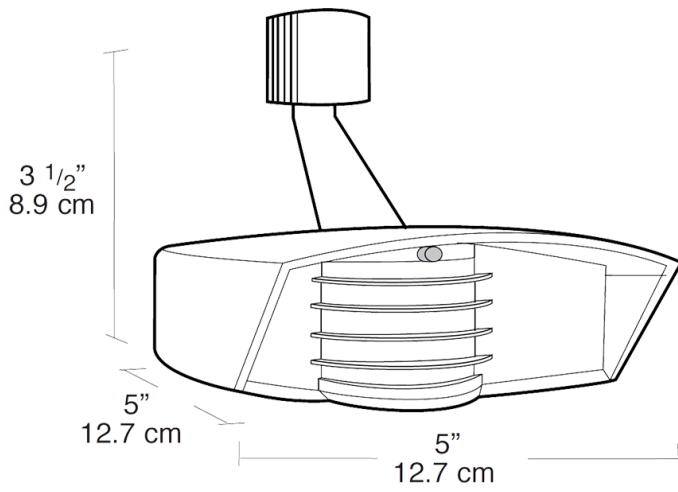
Dark lens with bronze units, white lens with white units

**Other**

**Warranty:**

10-year sensor warranty

## Dimensions



## Features

- Temperature compensation
- Radio frequency immunity
- 6000 volt surge protection
- LED detection & "on guard" indicator
- Color matched vandal resistant lens and grill
- Protected manual override with auto reset
- Can be wired in parallel