



STEALTH Sensor with 110° view. Double Look Down lens, surge protection, LED detection indicator and Color Matched Lens.

Color: White

Weight: 0.9 lbs

Project:

Type:

Prepared By:

Date:

## Technical Specifications

### Compliance

**UL Listed:**

Raintight Photoelectric Switch

### Electrical

**Switching Capacity:**

8 amps

**Voltage:**

120V  
300W LED

**Surge Protection:**

I.E.C specs

### Sensor Settings

**Detection Pattern:**

50' x 100°

**Time Adjustment:**

5 seconds to 12 minutes

**Power Consumption:**

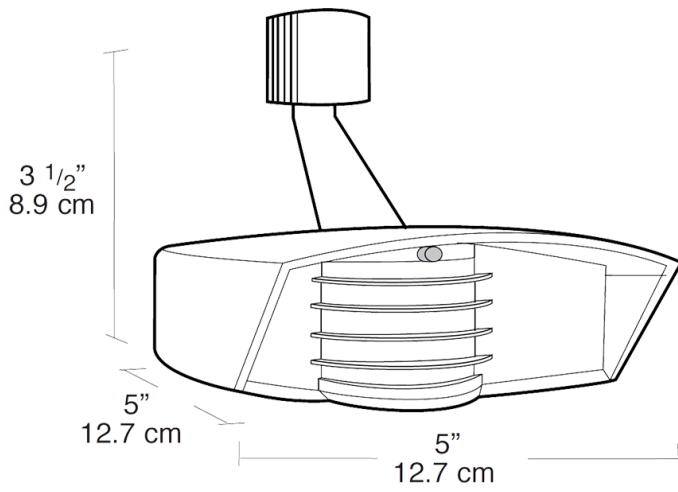
1 watt

### Other

**Warranty:**

10-year sensor warranty

## Dimensions



## Features

- Compatible with LED lamps
- Temperature compensation
- Radio frequency immunity
- 6000 volt surge protection
- LED detection & "on guard" indicator
- Color matched vandal resistant lens and grill
- Protected manual override with auto reset
- Can be wired in parallel