



Wall or ceiling mount to control 500 Watts incandescent or 100 Watts Fluorescent lighting. Vandalproof lens. Full 180° view . Cover not included.

Color: Bronze

Weight: 0.4 lbs

Project:	Type:
Prepared By:	Date:

Technical Specifications

Compliance

UL Listed:

Suitable for wet locations

Other

Compatibility:

Compatible with most electronic ballasts. Not compatible with instant start ballasts.

Warranty:

5-year sensor warranty

Electrical

Voltage:

120V AC 60Hz

Manual Override:

Double flip wall switch logic prevents activation by brief power outages. Resets after 6 hours. No extra wiring needed.

Surge Protection:

Withstands up to 3000 volts

RF Immunity:

Circuits fully shielded for maximum radio frequency immunity

Incandescent Watts Switched:

500W @ 120 volts

Fluorescent Watts Switched:

250W @ 120 volts

Ratings:

5 amps

Power Consumption:

Negligible

Manual Switch:

None

Switching Capacity:

Relay On/Off Model Switches 240W when lights are mounted to sensor. 500W Incandescent or 240W Fluorescent of remotely mounted lighting @ 120 volts.

Sensor Settings

Time Adjustment:

5 seconds to 15 minutes

Quick Test Time:

5 second test time for fast installation. Works day or night.

"No Hands" Auto Testing:

Auto mode starts after 4 minutes of testing. No adjustment needed.

Photoelectric Control:

Deactivates lights during daylight.

Time Delay:

5 seconds to 15 minutes

Ambient Light Sensing:

Adjustable

Adjustments:

Time, ambient light & sensitivity

Detection:

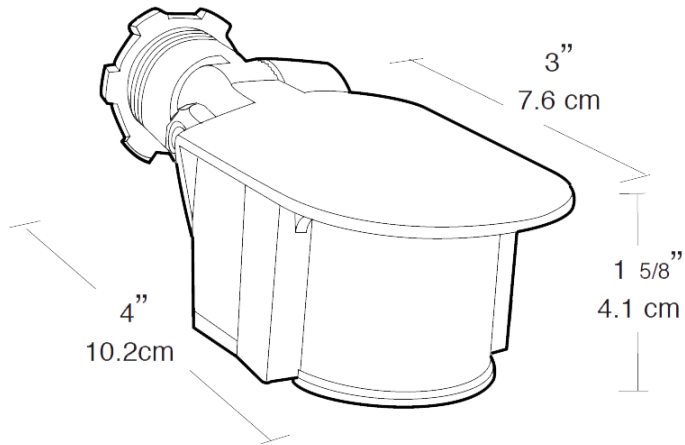
180° detection pattern

LED Characteristics

LED Detection Indicator:

LED glows red day & night for "on guard" deterrence

Dimensions



Features

- Surge protected
- 180° detection pattern
- Quick installation with 5 second test time and auto test logic
- LED "on guard" indicator
- Protected manual override with auto reset after 8 hours or at dawn