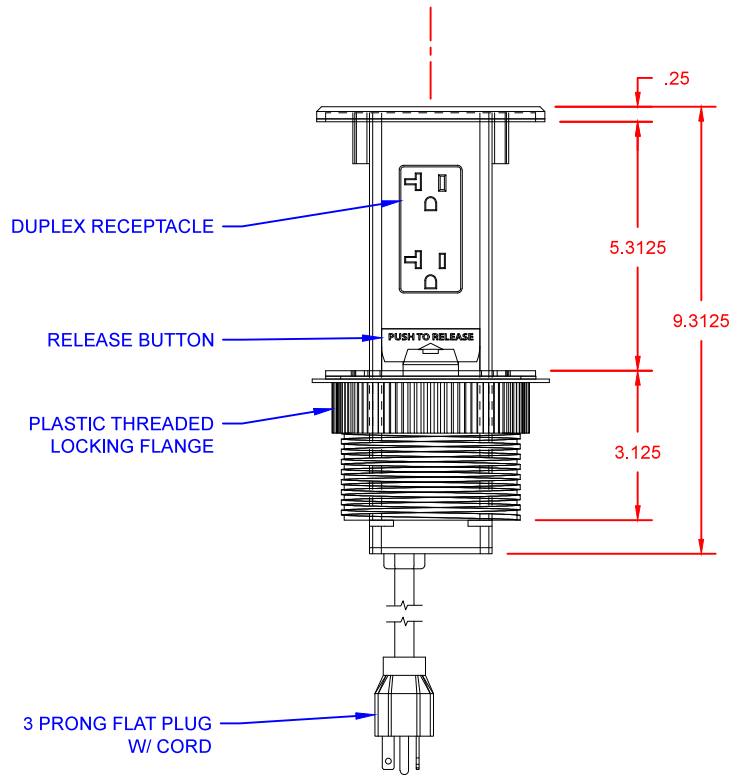
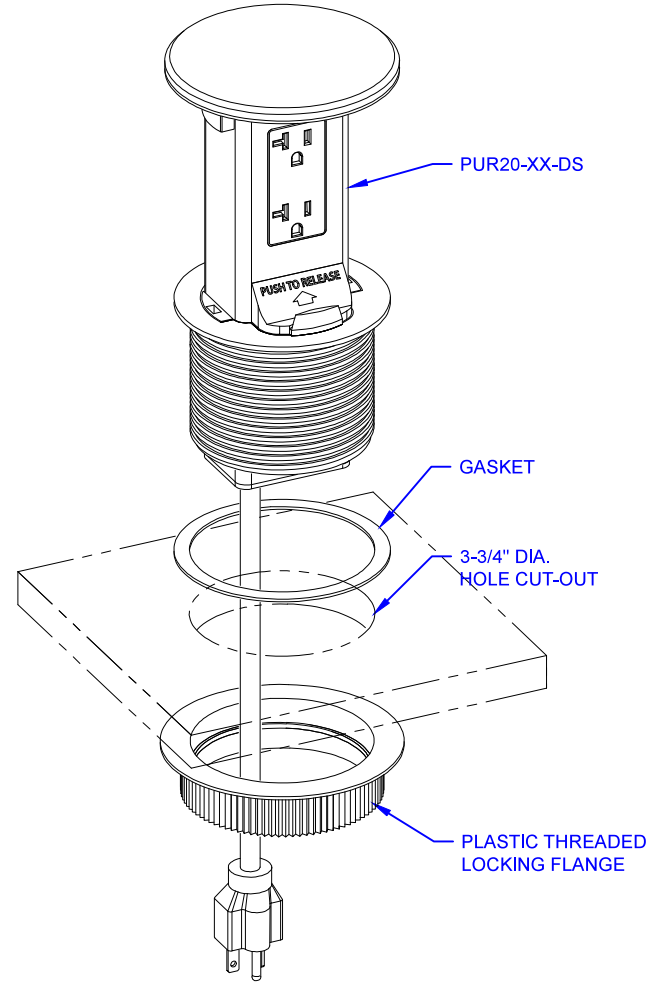



TOP VIEW



FRONT VIEW





**LEW ELECTRIC
FITTINGS COMPANY**
SERVING THE ELECTRICAL INDUSTRY SINCE 1901

371 Randy Rd, Carol Stream, IL 60188
PHONE: 630.665.2075

UNLESS OTHERWISE SPECIFIED:	DRAWN	NAME	DATE	TITLE: PUR20-XX-DS
DIMENSIONS ARE IN INCHES: FRACTIONAL ± TOLERANCES: ANGULAR: MACH ± BEND ± TWO PLACE DECIMAL ± THREE PLACE DECIMAL ±	SMK			
INTERPRET GEOMETRIC TOLERANCING PER:	COMMENTS:			SIZE DWG. NO. 000001 REV A
MATERIAL				WEIGHT: SHEET 1 OF 1
FINISH				
DO NOT SCALE DRAWING				