



PROJECT	DATE
TYPE	CATALOG #

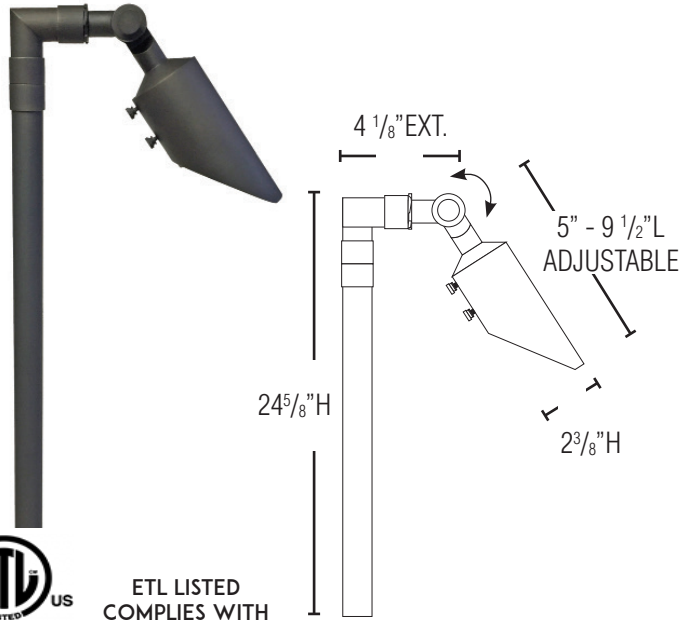
BIG SMOKY PATH PS-105B

KEY FEATURES

- FULLY ADJUSTABLE SHROUD FOR GLARE CONTROL
- CAST BRASS
- NATURAL BRONZE FINISH GUARANTEED NOT TO CHIP, FLAKE OR PEEL
- TEMPERED, SHOCK AND HEAT RESISTENT LENS
- HIGH TEMPERATURE CERAMIC SOCKET
- FIELD REPLACEABLE LED LAMP

PRODUCT SPECIFICATIONS

DIMENSIONS	SEE LINE ART
MATERIAL	CAST BRASS
LENS	CLEAR CONVEX
SOCKET	BI PIN
LAMP	MR16
VOLTAGE	9-15V AC/DC
LIGHT SPREAD	8-10 FT AVG



ETL LISTED
COMPLIES WITH
UL1838

STEP 1 FIXTURE CONFIGURATION

PS-105B

FINISH

NBZ NATURAL BRONZE

STEP 3 ACCESSORY OPTIONS

AX-801P

INCLUDED

STAKE OPTION

AX-801P LARGE SLOTTED STAKE

AX-802P HEAVY DUTY PERMA POST

STEP 2 LED LAMP CONFIGURATION

LED-MR16

LED WATTAGE

3.5W 250 LM

4.5W 350 LM

5.5W 430 LM

6.5W 500 LM

KELVIN TEMPERATURE

27K 2700K

30K 3000K

41K 4100K

55K 5500K

BEAM ANGLE

15D 15° NARROW *

45D 45° STANDARD

60D 60° WIDE**

* 15° Only available in 5.5w - 3000k
** 60° Available in 3.5w, 4.5w, 5.5w, 2700k or 3000k

+ See accessory spec sheet for additional mounting options

+ Consult factory for additional options