

# Installation Instructions

## NX-812-LED

### Surface Adjustable LED Edge-Lit Exit Sign, Battery Backup

**READ PRIOR TO ATTEMPTING INSTALLATION**  
**ALWAYS TURN OFF MAIN POWER BEFORE INSTALLATION**  
**INSTALLATION SHOULD BE CARRIED OUT BY YOUR LOCAL ELECTRICIAN**

**⚠ IMPORTANT** - This equipment is intended to be installed only by qualified personnel. The installation must be made in accordance with the current edition of the National Electrical Code and all applicable state and local building codes. The final installation must be approved by the appropriate, qualified electrical/building inspector(s). Improper installation may result in a fire or electrical hazard. Be sure the electrical power to the circuit has been disconnected before installing this electrical system.

**⚠ IMPORTANT** - Cet équipement est destiné à être installé uniquement par du personnel qualifié. L'installation doit être faite conformément à l'édition actuelle du Code national de l'électricité et à tous les codes de construction locaux et nationaux applicables. L'installation finale doit être approuvée par un ou plusieurs inspecteurs qualifiés en électricité / bâtiment. Une installation incorrecte peut entraîner un incendie ou un risque électrique. Assurez-vous que l'alimentation électrique du circuit a été déconnectée avant d'installer ce système électrique.

#### IMPORTANT SAFEGUARDS:

##### READ AND FOLLOW ALL SAFETY INSTRUCTIONS

1. Review the diagrams thoroughly before beginning. If you feel you do not have electrical wiring experience, refer to do-it-yourself wiring handbook or have your fixture installed by a qualified licensed electrician.
2. All electrical connections must be in accordance with local codes, ordinances, and the National Electric Code. If you are unfamiliar with these methods of installing electrical wiring, refer to the services of a qualified licensed electrician.
3. Before starting the installation, disconnect the power by turning off the circuit breaker or by removing the appropriate fuse at the fuse box. Turning the power off using the light switch is not sufficient to prevent electrical shock.
4. Do not use outdoors.
5. Do not let the power supply cords touch hot surfaces.
6. Do not mount near gas or electric heaters.
7. Use caution when servicing batteries. Battery acid can cause burns to skin and eyes. If acid is spilled on skin or in eyes, flush acid with fresh water and contact a physician immediately.
8. Equipment should be mounted in a location and at a height where it will not readily be subject to tampering by unauthorized personnel.
9. The use of accessory equipment that is not recommended by the manufacturer may cause an unsafe condition.
10. Do not use this equipment for other than intended use.
11. All servicing should be performed by qualified personnel only.
12. Allow battery to charge for 24 hours before first use.

#### CEILING / WALL MOUNTING:

1. Attach crossbar to junction box, using screw if needed. (not provided)
2. Open left plastic cover and close it after connecting the battery connector. **NOTE:** DO NOT KNOCKOUT LEFT COVER
3. Fix CHEVRON (s) as required to EXIT panel and remove the template from the panel. **NOTE:** When CHEVRON (s) are being taped on the EXIT panel, you can not use it again one you remove it. Please be careful before removing CHEVRON
4. Feed AC supply leads through canopy center hole.
5. Assemble canopy on aluminum housing with (2) 10\*-24 (UNC) screws and make proper lead connections. See "Electrical Connections" below.
6. Using (2) M4\*40 screws supplied tighten canopy to mounting plate.
7. The unit may be installed on any surface and rotate EXIT panel in any angle from 0 degrees to 180 degrees, lock EXIT panel by mounting lock screw. (Figure 4)

#### END MOUNTING:

1. Attach crossbar to junction box, using screw if needed. (not provided)
2. Fix CHEVRON (s) as required to EXIT panel and remove the template from the panel. **NOTE:** When CHEVRON (s) are being taped on the EXIT panel, you can not use it again one you remove it. Please be careful before removing CHEVRON
3. Open left plastic cover and knock out.
4. Pull away AC supply leads from aluminum housing.
5. Feed AC supply leads through left plastic cover and canopy center hole.
6. Left plastic cover is between canopy and metal bracket. Assemble canopy through plastic cover on metal bracket with (2) 10\*-24 (UNC) screws and make proper lead connections. See "Electrical Connections" below.
7. Remove bushing and insert plug & rivet into housing top holes.
8. Using (2) M4\*40 screws supplied tighten canopy to mounting plate.
9. The unit may be installed on any surface and rotate EXIT panel in any angle from 0 degrees to 180 degrees, lock EXIT panel by mounting lock screw.

#### ELECTRICAL CONNECTIONS:

Make the proper supply lead connections. If using 120VAC, connect the black and white leads to the building utility. If using 277VAC, connect the orange and white leads to the building utility. Cap off unused wires. In all cases, use standard wire nuts in connection to leads. (Figure 4)

# Installation Instructions

NX-812-LED

Surface Adjustable LED Edge-Lit Exit Sign, Battery Backup

READ PRIOR TO ATTEMPTING INSTALLATION  
ALWAYS TURN OFF MAIN POWER BEFORE INSTALLATION  
INSTALLATION SHOULD BE CARRIED OUT BY YOUR LOCAL ELECTRICIAN

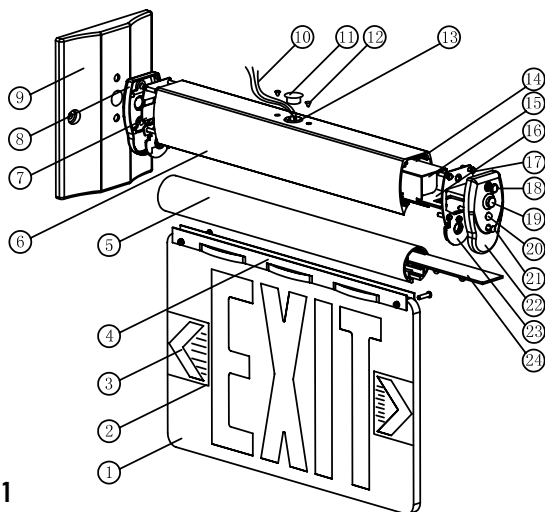


Figure 1

### CONTENTS:

- LED Edge-Lit EXIT Sign - Canopy - Hardware Bag

- |                      |                   |
|----------------------|-------------------|
| 1. Exit panel        | 13. Bushing       |
| 2. Template label    | 14. Insulation    |
| 3. Directional arrow | 15. Ni-Cd battery |
| 4. Fixed bar         | 16. Main PCB      |
| 5. Rotation housing  | 17. Screw (1)     |
| 6. Main housing      | 18. Screw (2)     |
| 7. Left bracket      | 19. Test switch   |
| 8. Left cover        | 20. LED indicator |
| 9. Canopy            | 21. Screw (3)     |
| 10. Power leads      | 22. Right cover   |
| 11. Hole plug        | 23. Right bracket |
| 12. Plastic rivet    | 24. LED PCB       |

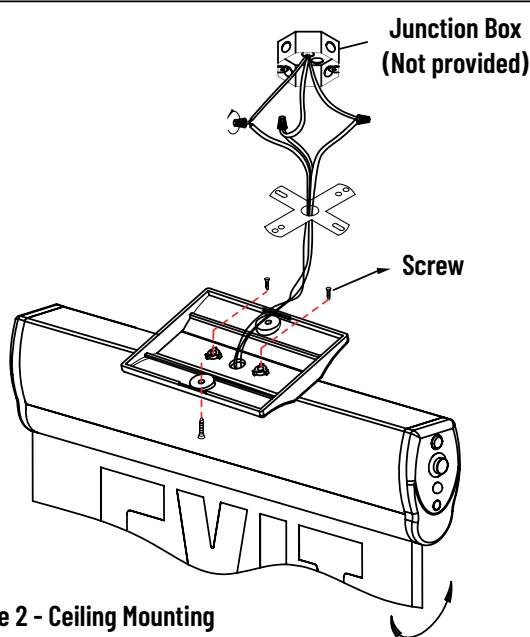


Figure 2 - Ceiling Mounting

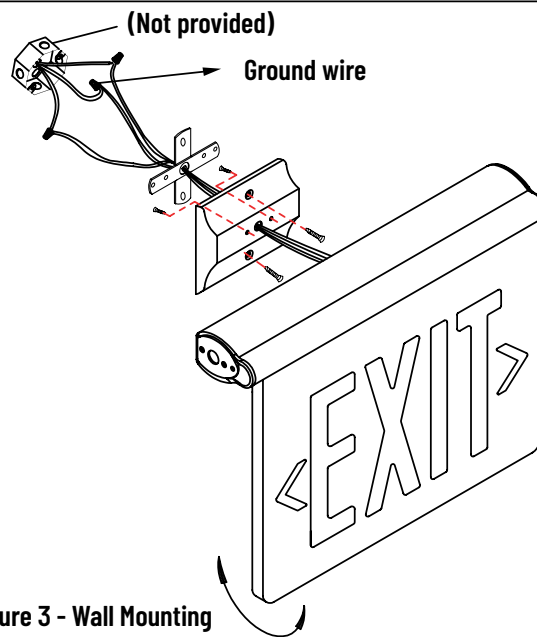


Figure 3 - Wall Mounting

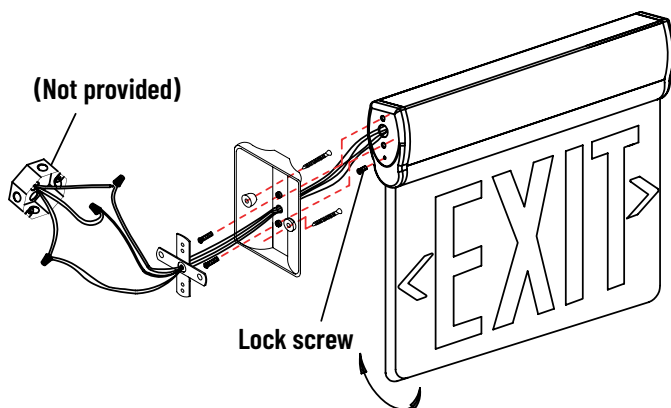


Figure 4 - End Mounting

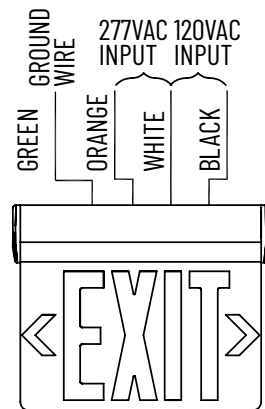


Figure 5 - Wiring Diagram