

Installation Instructions

NSW-8

Brick LED Step Light

READ PRIOR TO ATTEMPTING INSTALLATION
ALWAYS TURN OFF MAIN POWER BEFORE INSTALLATION
INSTALLATION SHOULD BE CARRIED OUT BY YOUR LOCAL ELECTRICIAN

⚠ WARNING - This equipment is intended to be installed only by qualified personnel. The installation must be made in accordance with the current edition to the National Electric Code and all applicable state and local building codes. The final installation must be approved by the appropriate qualified electrical/building inspector(s). Improper installation may result in a fire or electrical hazard. Be sure the electrical power to the circuit has been disconnected before installing this electrical system.

⚠ AVERTISSEMENT - Cet équipement est destiné à être installé uniquement par du personnel qualifié. L'installation doit être faite en conformité avec l'édition actuelle du Code national de l'électricité et toutes étatiques et locales codes du bâtiment applicables. L'installation finale doit être approuvée par l'inspecteur en électricité / bâtiment qualifié approprié(s). Une mauvaise installation peut entraîner un incendie ou un risque électrique. Soyez sûr de la puissance électrique vers le circuit a été coupée avant l'installation de ce système électrique.

CAUTION:

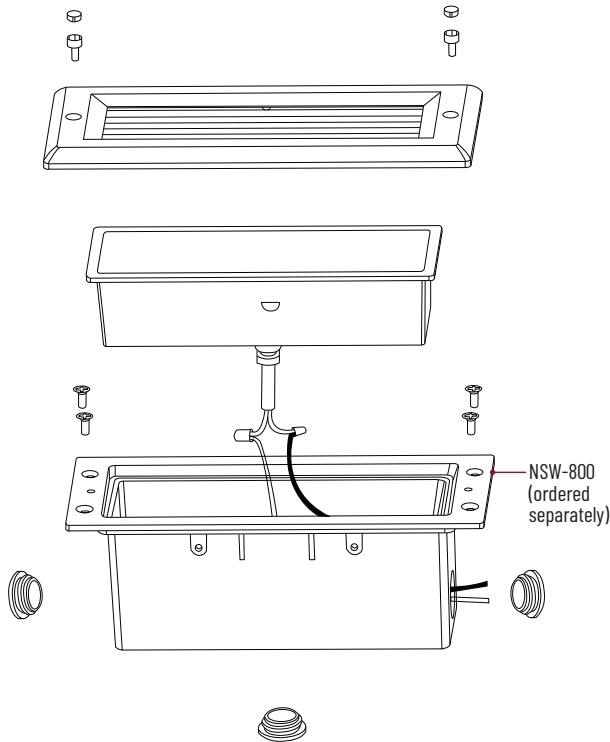
- Always turn off power prior to installation or replacement
- Avoid contacting light source with flammable materials
- Do not cover step light with drapes, blankets, etc.
- Do not block ventilation, as overheating may occur
- Use only light emitting diodes for replacement
- Do not attempt to open LED sealed compartment

INSTRUCTIONS

⚠ TURN OFF MAIN POWER BEFORE INSTALLATION

- Do not mount near gas or electrical heaters.
- The use of accessory equipment is not recommended by the manufacturer and may cause an unsafe condition.
- Do not use this equipment for other than intended use.
- Qualified personnel should perform all servicing only.

REQUIRES: NSW-800 (Ordered Separately)



BAR HANGER INSTRUCTIONS

⚠ TURN OFF MAIN POWER BEFORE INSTALLATION

1. Attach bar hanger assembly (NRA-6301) to housing (NSW-800)

REQUIRES: NSW-800 & NRA-6301 (Ordered Separately)

