

# Installation Instructions

## Ari Series (NSW-720)

### Step Light

READ PRIOR TO ATTEMPTING INSTALLATION  
ALWAYS TURN OFF MAIN POWER BEFORE INSTALLATION  
INSTALLATION SHOULD BE CARRIED OUT BY YOUR LOCAL ELECTRICIAN

**⚠ IMPORTANT** - This equipment is intended to be installed only by qualified personnel. The installation must be made in accordance with the current edition to the National Electric Code and all applicable state and local building codes. The final installation must be approved by the appropriate qualified electrical/building inspector(s). Improper installation may result in a fire or electrical hazard. Be sure the electrical power to the circuit has been disconnected before installing this electrical system.

**⚠ IMPORTANT** - Cet équipement est destiné à être installé uniquement par du personnel qualifié. L'installation doit être faite conformément à l'édition actuelle du Code national de l'électricité et à tous les codes de construction locaux et nationaux applicables. L'installation finale doit être approuvée par un ou plusieurs inspecteurs qualifiés en électricité / bâtiment. Une installation incorrecte peut entraîner un incendie ou un risque électrique. Assurez-vous que l'alimentation électrique du circuit a été déconnectée avant d'installer ce système électrique.

#### WALL PREPARATION:

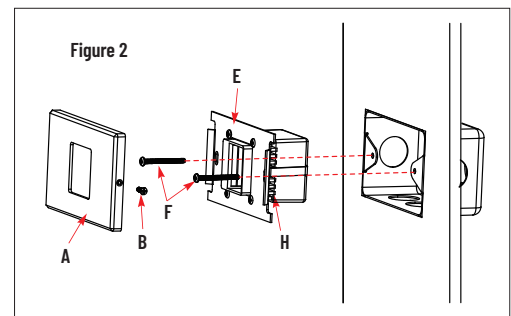
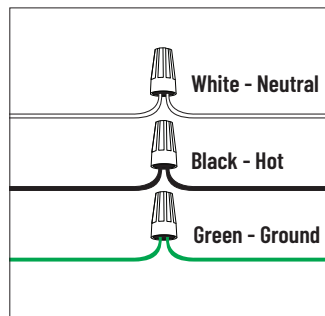
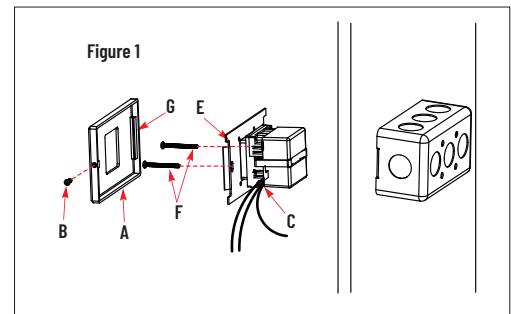
The finished wall cut-out can not be more than 1/8" larger on any side of the junction box (2" x 4") or single-gang plaster ring. If the cut-out is greater than that, patch the wall around the junction box (2" x 4") or single-gang plaster ring until it meets the requirement above.

The front edge of the 2" x 4" junction box or single-gang plaster ring when used with 4" x 4" junction box should be mounted 1/16" behind the finished wall surface.

**NOTE:** NSW-720 comes standard in the horizontal orientation. When fixture is installed the ground wire (C) should be located at the bottom of the fixture (Figure 1).

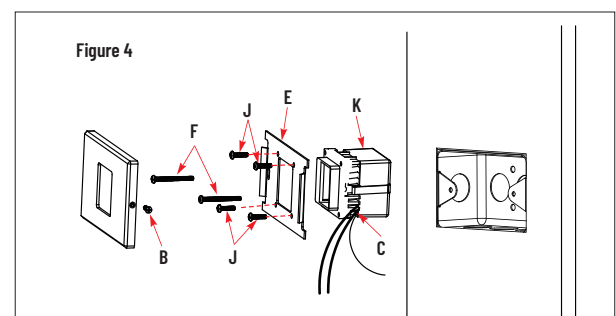
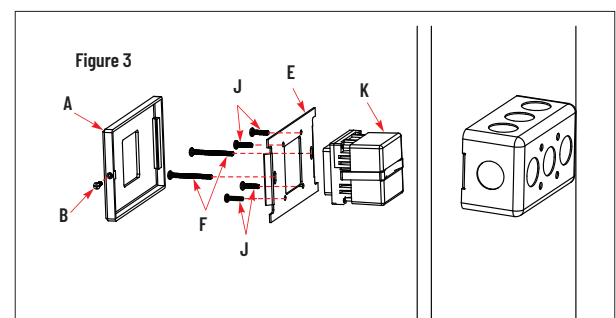
#### FIXTURE INSTALLATION:

1. Separate the faceplate (A) from the rest of the assembly by loosening the set screw (B) located on the short edge of the faceplate with the allen wrench provided.
2. Connect the fixture wires to the junction box wires as follows: Black fixture wire to black (hot) junction box wire, white fixture wire to white (neutral) junction box wire, green fixture wire to ground.  
**NOTE:** Supply wire insulation must be rated for at least 90°C and connections back in wiring box. Make sure that supply wires are not pinched or otherwise damaged as the fixture is installed.
3. Mount the backplate (E) to junction box with the two 6-32 x 1" screws (F) provided.
4. Attach the faceplate (A) onto the backplate (E) by sliding the upper catch (G) located on the faceplate, over the tab (H) of backplate. Press the faceplate downward onto the backplate until it is firmly seated.
5. Push the faceplate (A) towards the wall to make sure the set screw (B) sits under the tab (H) and tighten.



#### CHANGING FACEPLATE ORIENTATION:

1. Separate the faceplate (A) from the rest of the assembly by loosening the set screw (B) located on the short edge of the faceplate with the allen wrench provided.
2. Remove (4) screws (J) to separate backplate (E) from light engine assembly (K).
3. Turn backplate (E) 90°.
4. Reinstall backplate (E) to light engine assembly (K) with four screws (J). The ground screw (C) must be at the bottom of the fixture when installed.
5. Refer to step 2 of Fixture Installation section to complete installation.



# Installation Instructions

## Ari Series (NSW-730; NSW-740)

### Step Light

**READ PRIOR TO ATTEMPTING INSTALLATION**  
**ALWAYS TURN OFF MAIN POWER BEFORE INSTALLATION**  
**INSTALLATION SHOULD BE CARRIED OUT BY YOUR LOCAL ELECTRICIAN**

**⚠ IMPORTANT** - This equipment is intended to be installed only by qualified personnel. The installation must be made in accordance with the current edition to the National Electric Code and all applicable state and local building codes. The final installation must be approved by the appropriate qualified electrical/building inspector(s). Improper installation may result in a fire or electrical hazard. Be sure the electrical power to the circuit has been disconnected before installing this electrical system.

**⚠ IMPORTANT** - Cet équipement est destiné à être installé uniquement par du personnel qualifié. L'installation doit être faite conformément à l'édition actuelle du Code national de l'électricité et à tous les codes de construction locaux et nationaux applicables. L'installation finale doit être approuvée par un ou plusieurs inspecteurs qualifiés en électricité / bâtiment. Une installation incorrecte peut entraîner un incendie ou un risque électrique. Assurez-vous que l'alimentation électrique du circuit a été déconnectée avant d'installer ce système électrique.

#### FIXTURE INSTALLATION:

2" x 4" boxes to have minimum inside dimensions of 3"H x 2"W x 2"D in order to accommodate

**NOTE:** Actual depth of box to be determined in accordance with the NEC and local ordinances. Indoor or outdoor frame mounted junction box: Raco 2" x 4" (6.5 cu. in) or equivalent recommended outdoor surface mounted junction box: Red Dot deep weatherproof box Model S103E or equivalent recommended mortar or poured concrete installation: Use appropriate junction box suitable for that particular application.

**NOTE:** ARI Vertical Wallwash (NSW-730) and Horizontal Wallwash (NSW-740) have the same installation method except for the orientation of the fixture/junction box. Refer to the appropriate figures, for installation method.

1. Install 2" x 4" junction box.
  2. Secure mounting bracket to junction box using (2) 8-32 screws as shown in Figure 1 & Figure 5.
  3. Connect the fixture wires to the junction box wires as follows: Black fixture wire to black (hot) junction box wire, white fixture wire to white (neutral) junction box wire, green fixture wire to ground. (Figure 2)
  4. Safely place all wiring and connections back into the junction box. (Figure 3 & 6)
- NOTE:** For outdoor installation, it is recommended that the installer run a bead of clear, outdoor-rated silicone (GE RTV-162 or equivalent, provided by others) caulk between gasket or back of fixture and mounting surface to prevent seepage of water into fixture.
5. Use the two mounting screws and two rubber washers provided to secure the fixture to the mounting bracket. (Figure 4 & 7)

