

Installation Instructions

NQZ-REFL

Quartz Snap-in Reflector

READ PRIOR TO ATTEMPTING INSTALLATION
ALWAYS TURN OFF MAIN POWER BEFORE INSTALLATION
INSTALLATION SHOULD BE CARRIED OUT BY YOUR LOCAL ELECTRICIAN

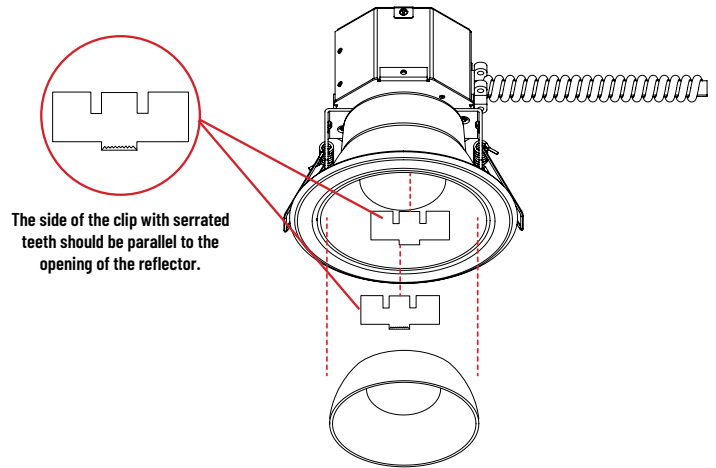
⚠ IMPORTANT - This equipment is intended to be installed only by qualified personnel. The installation must be made in accordance with the current edition of the National Electrical Code and all applicable state and local building codes. The final installation must be approved by the appropriate, qualified electrical/building inspector(s). Improper installation may result in a fire or electrical hazard. Be sure the electrical power to the circuit has been disconnected before installing this electrical system.

⚠ IMPORTANT - Cet équipement est destiné à être installé uniquement par du personnel qualifié. L'installation doit être faite conformément à l'édition actuelle du Code national de l'électricité et à tous les codes de construction locaux et nationaux applicables. L'installation finale doit être approuvée par un ou plusieurs inspecteurs qualifiés en électricité / bâtiment. Une installation incorrecte peut entraîner un incendie ou un risque électrique. Assurez-vous que l'alimentation électrique du circuit a été déconnectée avant d'installer ce système électrique.

INSTALLATION INSTRUCTIONS:

It is recommended to install reflector prior to installing fixture into ceiling.

1. The reflector is held in place by (2) clips that friction fit in the reflector.
2. Place first clip about 1/2" from down from flange. Position clip with serrated teeth closest to the flange and pointing inwards towards the center of fixture. (see picture)
Apply pressure to center of clip and the clip will grip the side of reflector through friction.
3. Repeat step 2 with the other clip positioned direct across from first clip.
4. Push reflector into place and make sure secure.
5. To remove reflector, using the edge of reflector pry out using a small straight blade screwdriver.



NORA
LIGHTING

6505 Gayhart Street, Commerce, CA 90040
Tel 323.767.2600 | www.noralighting.com | e-mail: nora@noralighting.com
© 2019 Nora Lighting, Inc. All rights reserved. Instructions subject to change without notice.

092419P1
IS-NQZ-REFLR02

Installation Instructions

NQZ-REFL

Quartz Snap-in Reflector

READ PRIOR TO ATTEMPTING INSTALLATION
ALWAYS TURN OFF MAIN POWER BEFORE INSTALLATION
INSTALLATION SHOULD BE CARRIED OUT BY YOUR LOCAL ELECTRICIAN

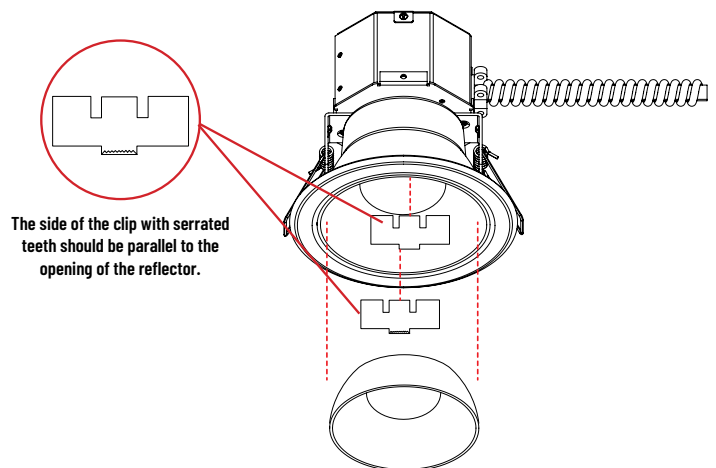
⚠ IMPORTANT - This equipment is intended to be installed only by qualified personnel. The installation must be made in accordance with the current edition of the National Electrical Code and all applicable state and local building codes. The final installation must be approved by the appropriate, qualified electrical/building inspector(s). Improper installation may result in a fire or electrical hazard. Be sure the electrical power to the circuit has been disconnected before installing this electrical system.

⚠ IMPORTANT - Cet équipement est destiné à être installé uniquement par du personnel qualifié. L'installation doit être faite conformément à l'édition actuelle du Code national de l'électricité et à tous les codes de construction locaux et nationaux applicables. L'installation finale doit être approuvée par un ou plusieurs inspecteurs qualifiés en électricité / bâtiment. Une installation incorrecte peut entraîner un incendie ou un risque électrique. Assurez-vous que l'alimentation électrique du circuit a été déconnectée avant d'installer ce système électrique.

INSTALLATION INSTRUCTIONS:

It is recommended to install reflector prior to installing fixture into ceiling.

1. The reflector is held in place by (2) clips that friction fit in the reflector.
2. Place first clip about 1/2" from down from flange. Position clip with serrated teeth closest to the flange and pointing inwards towards the center of fixture. (see picture)
Apply pressure to center of clip and the clip will grip the side of reflector through friction.
3. Repeat step 2 with the other clip positioned direct across from first clip.
4. Push reflector into place and make sure secure.
5. To remove reflector, using the edge of reflector pry out using a small straight blade screwdriver.



NORA
LIGHTING

6505 Gayhart Street, Commerce, CA 90040
Tel 323.767.2600 | www.noralighting.com | e-mail: nora@noralighting.com
© 2019 Nora Lighting, Inc. All rights reserved. Instructions subject to change without notice.

092419P1
IS-NQZ-REFLR02