

# NIOC-4SNSQ

## 4" Iolite Can-less Square Downlight

Source: 12W LED  
1150lm

### PRODUCT DESCRIPTION

4" Iolite can-less downlights can be installed in new construction or remodel applications. Deep regressed cone reflectors optimize visual cut-off.

### FEATURES

- No housing required - IC Air-Tight rated
- Easy installation for remodel or new construction applications
- Variety of trim accessories to configure desired appearance
- Quick disconnect allows for extended lengths
- Dedicated CCT or Comfort Dim (warm dim)
- Flood optic, narrow flood and spot optics (included)
- 5-Year limited warranty
- ENERGY STAR certified
- cULus Listed for Wet Locations

### SPECIFICATION

**Construction:** Trims are constructed of heat dissipating, die-cast aluminum. Aluminum die-cast LED module is threaded to fit the trim and transfer heat.

**Air Flow Restriction:** Luminaire has factory installed gasket to restrict airflow from room into ceiling plenum to <2CFM (cubic feet per minute) in accordance with ASTM-283 Air-Tight requirements.

**Clearance:** IC rated luminaires are rated for direct contact with insulation (not spray foam insulation), no minimum clearance is required.

**Driver Box:** Prewired junction box includes 7" quick connect wire to LED module for ease of installation. Junction box includes two 1/2" trade size knockouts and snap on cover.

**Mounting:** No housing is required, two tensions steel spring clips secure luminaire to ceiling. Accommodates ceiling thickness up to 3/4". New construction frame-in kit is available, see accessories.

### OPTICS

Each module includes field changeable optics (spot, narrow flood and flood - preinstalled).

### ELECTRICAL

**Input Voltage:** 120VAC

**Lumens / Wattage:** 1150lm / 12W

**Color Temperature:** 2700K, 3000K, 3500K or 4000K

**Color Rendering Index:** 90+CRI

**Operating Temperature:** 0°-30°C

**Lifetime:** 50,000 hours @ L70

**Comfort Dim:** Comfort Dim color tunes the temperature from a bright 3100K, to a romantic and comfortable 2000K on a gradual, even curve. Available in 875lm only.

**Dimming:** Triac or ELV

**Accessories:** Luminaire will accommodate (1) hex louver and (1) translucent deco collar or opaque snoot, no accessory holder is required, see accessories page.

### LABELS AND LISTINGS

- cULus Listed for Wet Locations
- ENERGY STAR certified
- [5-Year Limited Warranty](#)
- RoHS Compliant
- Certified to the high efficacy requirements of California Title 24 JA8-2022



Type

Project

Catalog No.

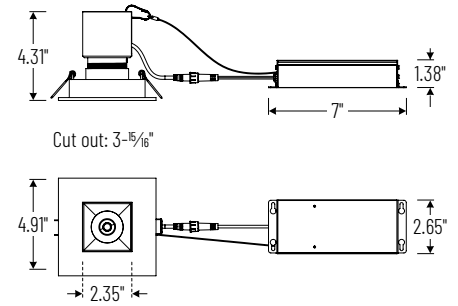
Notes

### Performance Data

Part Number	Lumens	CCT	Optic
<b>NIOC-4SNSQ40XMPW</b>	1193lm	4000K	Spot
<b>NIOC-4SNSQ40XMPW</b>	1185lm	4000K	Narrow
<b>NIOC-4SNSQ40XMPW</b>	1172lm	4000K	Flood

*Delivered lumens will vary depending on CCT, optic and finish*

### PRODUCT IMAGES & DIMENSIONS



### 4" Iolite Can-less Square Downlight Trim



**HW**

Haze Reflector  
White Flange

**MPW**

Matte Powder White  
Reflector & Flange

**WW**

White Reflector  
& Flange

Item Number

**NIOC-4SNSQHW** = Haze Reflector / White Flange

**NIOC-4SNSQMPW** = Matte Powder White Reflector & Flange

**NIOC-4SNSQWW** = White Reflector & Flange

### 2" & 4" Iolite Can-less LED Module



Color Temperature

**NIOC-24LED927X** = 2700K

**NIOC-24LED930X** = 3000K

**NIOC-24LED935X** = 3500K

**NIOC-24LED940X** = 4000K

**NIOC-24LED9CDX** = Comfort Dim (3100K-2000K)

### Driver Box



Wattage

**NJCB-12** = 12W / 120VAC input / Triac or ELV dimming

Example: **NIOC-4SNSQMPW / NIOC-24LED930X / NJCB-12** = 4" Iolite Can-less Square Downlight Trim, Matte Powder White finish, 3000K LED Module, 12W Driver Box with 120VAC input; Triac or ELV dimming

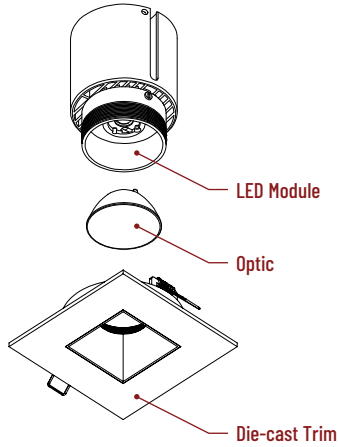
# Iolite Can-less Accessories

## 4" Iolite Can-less Square Downlight

Type	
Project	
Catalog No.	
Notes	

### FIELD CHANGEABLE OPTICS

Iolite luminaires include spot, narrow flood and flood optics. Optics can be changed in the field by removing LED module from die-cast trim. Optional frosted and TIR optics are also available.



Frosted Optics

**NIO-REFL38FR**  
**NIO-REFL60FR**

60° Optic  
73° Optic



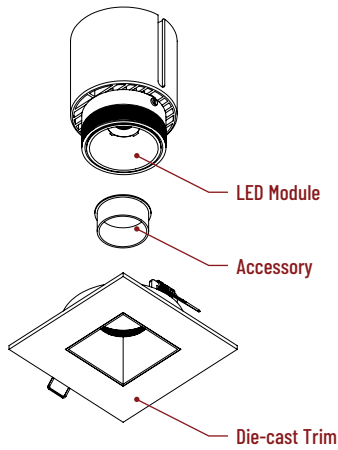
Premium TIR Optics

**NIO-REFLTIR15**  
**NIO-REFLTIR25**

22° Optic  
26° Optic

### TRIM ACCESSORIES

Iolite accessories can be added at any point in the design process. Accessories easily install between LED module and die-cast trim. Luminaire will accommodate (1) hex louver and (1) collar accessory, no accessory holder required.



Translucent Decorative Collar

**NIO-AS14(color)** 5/8" length  
**NIO-AS19(color)** 3/4" length  
**NIO-AS26(color)** 1" length  
**Color:**  
AM (amber), BLU (blue), FR (frosted), R (red)

Translucent collars color the aperture with the specified color while producing white general light. Collars are available in different lengths. Use to add interest, create a theme, match a theme or define a space.



Opaque Collar Snoot

**NIO-AS14(color)** 5/8" length  
**NIO-AS19(color)** 3/4" length  
**NIO-AS26(color)** 1" length  
**Color:**  
MPW (matte powder white), WH (white)

Opaque snoot greatly reduces aperture brightness while preserving light output.



Hex Cell Louver

**NIO-HC** Black  
Hex cell louver subtly reduces aperture brightness by reducing light output by about 20%.

### MOUNTING ACCESSORIES

Iolite canless luminaires are ready to be installed out of the box. Additional mounting accessories can be used to assist during installation or extend length between driver box and luminaire.



Quick Connect Extension Cables

**NCA-EW-4** 4" Cable  
**NCA-EW-10** 10" Cable

Use to extend the length between luminaire and driver box. Can be connected together to create custom lengths. Maximum length between luminaire and driver is 40'.



New Construction Frame-In

**NF-R124**

Universal new construction frame-in can be used to assist installing can-less recessed downlighting.

# PHOTOMETRICS

## 4" Iolite Can-less Square Downlight

Type

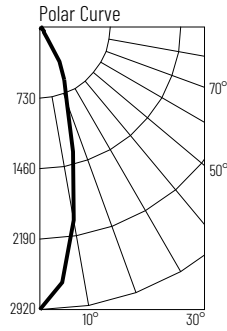
Project

Catalog No.

Notes

### Test Information

Test Number: NTR2064R1  
 Part Number: NIOC-4SNDSQ40XMPW  
 Beam Spread: 28° Spot  
 Lumens: 1193lm  
 Wattage: 11.751W  
 Efficacy: 102lpw  
 CCT / CRI: 4000K / 90 CRI  
 Spacing Criteria (0°-180°): 0.48  
 Spacing Criteria (90°-270°): 0.48



### Illuminance at a Distance

Distance from Luminaire	FC at Nadir	Beam Diameter
4'	182fc	2'-0"
6'	81.1fc	3'-0"
8'	45.6fc	4'-0"
10'	29.2fc	5'-0"
12'	20.3fc	6'-0"

### Zonal Lumen Summary

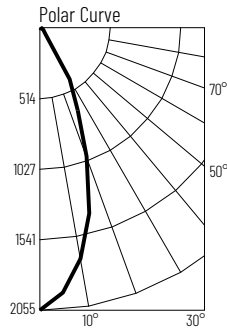
Zone	Lumens	% Luminaire
0-30	905	75.8
0-40	1074	90.0
0-60	1158	97.1
0-90	1193	100
90-180	0	0
0-180	1193	100

### Candela Table

Vertical Angles	Candela
0	2920
5	2650
15	1334
25	598
35	143
45	59

### Test Information

Test Number: NTR2065R1  
 Part Number: NIOC-4SNDSQ40XMPW  
 Beam Spread: 39° Narrow Flood  
 Lumens: 1185lm  
 Wattage: 11.76W  
 Efficacy: 101lpw  
 CCT / CRI: 4000K / 90 CRI  
 Spacing Criteria (0°-180°): 0.64  
 Spacing Criteria (90°-270°): 0.64



### Illuminance at a Distance

Distance from Luminaire	FC at Nadir	Beam Diameter
4'	128fc	2'-10"
6'	57.1fc	4'-4"
8'	32.1fc	5'-8"
10'	20.5fc	7'-1"
12'	14.3fc	8'-6"

### Zonal Lumen Summary

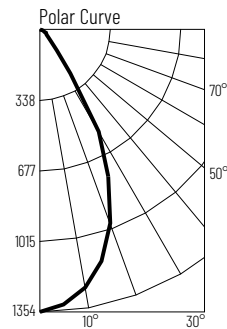
Zone	Lumens	% Luminaire
0-30	887	74.9
0-40	1063	89.7
0-60	1148	96.8
0-90	1185	100
90-180	0	0
0-180	1185	100

### Candela Table

Vertical Angles	Candela
0	2055
5	1936
15	1395
25	661
35	142
45	57

### Test Information

Test Number: NTR2066R1  
 Part Number: NIOC-4SNDSQ40XMPW  
 Beam Spread: 54° Flood  
 Lumens: 1172lm  
 Wattage: 11.78W  
 Efficacy: 99lpw  
 CCT / CRI: 4000K / 90 CRI  
 Spacing Criteria (0°-180°): 0.84  
 Spacing Criteria (90°-270°): 0.84



### Illuminance at a Distance

Distance from Luminaire	FC at Nadir	Beam Diameter
4'	84.6fc	4'-1"
6'	37.6fc	6'-2"
8'	21.2fc	8'-2"
10'	13.5fc	10'-4"
12'	9.4fc	12'-4"

### Zonal Lumen Summary

Zone	Lumens	% Luminaire
0-30	791	67.5
0-40	1025	87.4
0-60	1131	96.5
0-90	1172	100
90-180	0	0
0-180	1172	100

### Candela Table

Vertical Angles	Candela
0	1354
5	1317
15	1102
25	778
35	258
45	76

### Lumen Output Multipliers

Color Temperature: 2700K (0.85), 3000K (0.90), 3500K (0.90), 4000K (1.00)