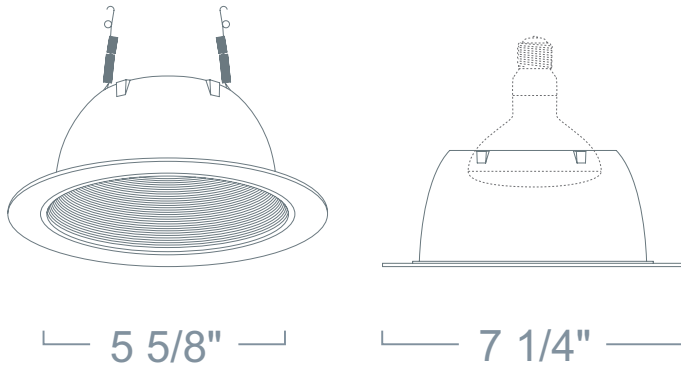


## LRP30 - PHENOLIC PAR30 BAFFLE 6" LINE VOLTAGE TRIMS



### SPECIFICATION

120V 75W Max R30/PAR30 MED E26

**Application:** Baffle downlights are used to minimize unwanted glare from the lamp source while providing a budget friendly design to provide general ambient light to an environment.

While the low reflectance level of black makes it the most effective color for baffle trims, white baffles have become the most popular option. The benefit of white baffles is that the trims blend with the ceiling when the lights are turned off. They are suitable for general illumination of residential and light commercial ceilings up to 9 feet. For a room with a typical eight-foot high ceiling, space 6" downlights apart approximately seven feet apart for general lighting applications.

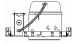
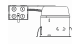
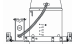


**Mounting:** Steel pressure springs mounted on trim to ensure positive retention inside housing.

**Baffle Finish:** Die-formed phenolic baffle conceals view into housing. Available in White and Black.

**Ring Finish:** Only available in White.

**Label:** UL Listed, cETL Listed

### COMPATIBILITY

 <b>LH27</b> STANDARD SHALLOW E26 HOUSING	 <b>LH27R</b> REMODEL SHALLOW E2 HOUSING	 <b>LH7</b> STANDARD E26 HOUSING
 <b>LH7IC</b> 100W IC E26 HOUSING	 <b>LH7R</b> REMODEL E26 HOUSING	

Note: Wattage limitations on compatible items must be met.

2016.7.27

### FEATURE:



ORDERING EXAMPLE : LRP30W

LRP30	BAFFLE FINISH	RING FINISH
LRP30	<b>W</b> :White	<b>Blank</b> :White
	<b>B</b> :Black	

ID# : 37