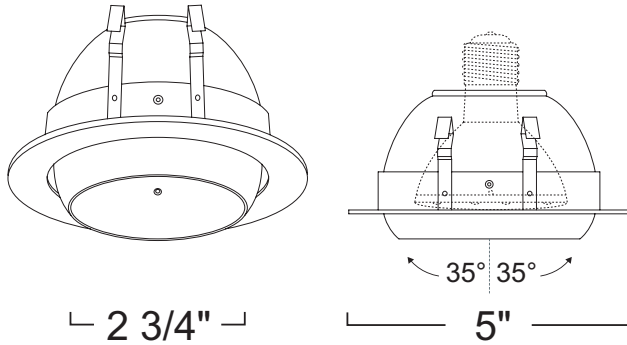


LR998 - EYEBALL 4" LINE VOLTAGE TRIMS



SPECIFICATION

120V 50W Max PAR20 MED E26

Application: This adjustable trim provides flexibility and versatility by doubling as both a downlight and as an accent light. It has a large degree of rotation resulting in both visual style and practical ergonomics. They used parabolic reflectored lamps to allow for a controlled intense beam to properly highlight an object and make it stand out with respect to the ambient light.

Gasket: Supplied with gasket to prevent light leakage and unsightly heat streaks on ceiling surface.

Mounting: Steel pressure springs mounted on trim to ensure positive retention inside housing.

Ceiling Type: Suitable for flat and sloped ceilings.

Adjustability Lamp can be tilted 35° degrees vertically and rotated 358° degrees horizontally.

Finish: Die-Formed Construction Available in White, Black, Chrome, Gold, Natural, Copper and Mocha.

Label: UL Listed, cETL Listed

COMPATIBILITY



LH99

STANDARD E26
HOUSING



LH99IC

IC DOUBLE WALL E26
HOUSING



LH99R

REMODEL E26
HOUSING

Note: Wattage limitations on compatible items must be met.

2016.7.27

FEATURE:



ORDERING EXAMPLE : LR998MO

LR998	FINISH
LR998	W :White
	B :Black
	C :Chrome
	G :Gold
	N :Natural
	CO :Copper
	MO :Mocha

ID#: 123