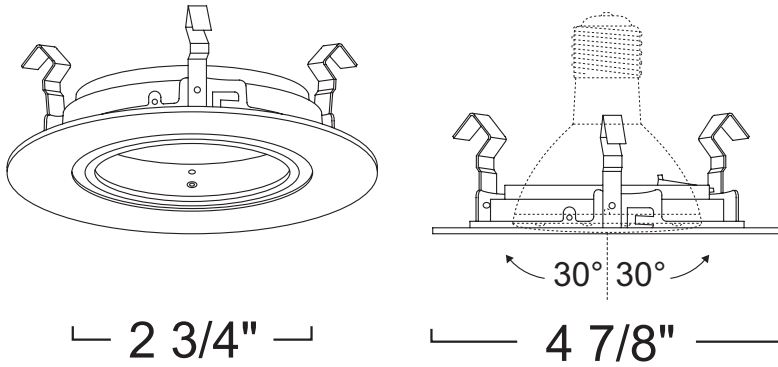


LR997 - PAR20 GIMBAL 4" LINE VOLTAGE TRIMS



SPECIFICATION

120V 50W Max PAR20 MED E26

Application: This adjustable trim provides flexibility and versatility by doubling as both a downlight and as an accent light. It has a large degree of rotation resulting in both visual style and practical ergonomics. They used parabolic reflectored lamps to allow for a controlled intense beam to properly highlight an object and make it stand out with respect to the ambient light.

Gasket: Supplied with gasket to prevent light leakage and unsightly heat streaks on ceiling surface.

Mounting: Steel pressure springs mounted on trim to ensure positive retention inside housing.

Ceiling Type: Suitable for flat and sloped ceilings.

Adjustability Lamp can be tilted 35° degrees vertically and rotated 358° degrees horizontally.

Finish: Die-Formed Construction Available in White, Black, Natural and Copper.

Label: UL Listed, cETL Listed

COMPATIBILITY

 LH99	 LH99IC	 LH99R
STANDARD E26 HOUSING	IC DOUBLE WALL E26 HOUSING	REMODEL E26 HOUSING

Note: Wattage limitations on compatible items must be met.

2016.7.27

FEATURE:



ORDERING EXAMPLE : LR997B

LR997	FINISH
W	:White
B	:Black
N	:Natural
CO	:Copper

ID# : 122