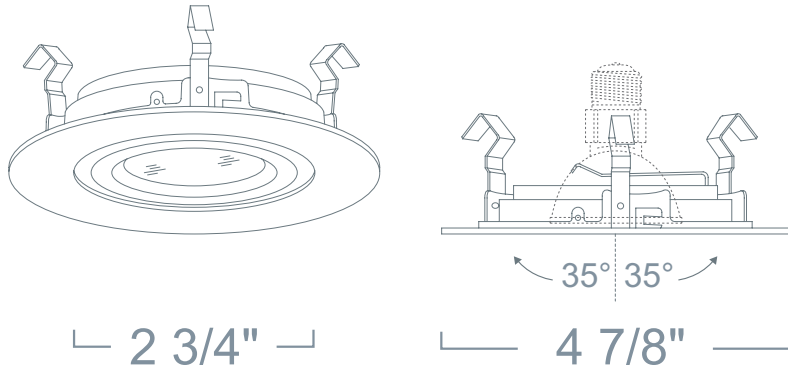


## LR991 - PAR16 GIMBAL 4" LINE VOLTAGE TRIMS



### SPECIFICATION

120V 50W Max PAR16 MED E26

**Application:** This adjustable trim provides flexibility and versatility by doubling as both a downlight and as an accent light. It has a large degree of rotation resulting in both visual style and practical ergonomics. They used parabolic reflectored lamps to allow for a controlled intense beam to properly highlight an object and make it stand out with respect to the ambient light.

**Gasket:** Supplied with gasket to prevent light leakage and unsightly heat streaks on ceiling surface.

**Mounting:** Steel pressure springs mounted on trim to ensure positive retention inside housing.

**Ceiling Type:** Suitable for flat and sloped ceilings.

**Adjustability** Lamp can be tilted 35° degrees vertically and rotated 358° degrees horizontally.

**Finish:** Die-Formed Construction Available in White, Black, Natural and Copper.

**Label:** UL Listed, cETL Listed

### COMPATIBILITY

|  |  |   |
|--|--|---|
| <br><b>LH99</b> | <br><b>LH99IC</b> | <br><b>LH99R</b> |
| <b>STANDARD E26 HOUSING</b>  | <b>IC DOUBLE WALL E26 HOUSING</b>  | <b>REMODEL E26 HOUSING</b>  |

Note: Wattage limitations on compatible items must be met.

2016.7.27

### FEATURE:



ORDERING EXAMPLE : LR991W

| LR991     | FINISH   |
|-----------|----------|
| <b>W</b>  | :White   |
| <b>B</b>  | :Black   |
| <b>N</b>  | :Natural |
| <b>CO</b> | :Copper  |

ID#: 118