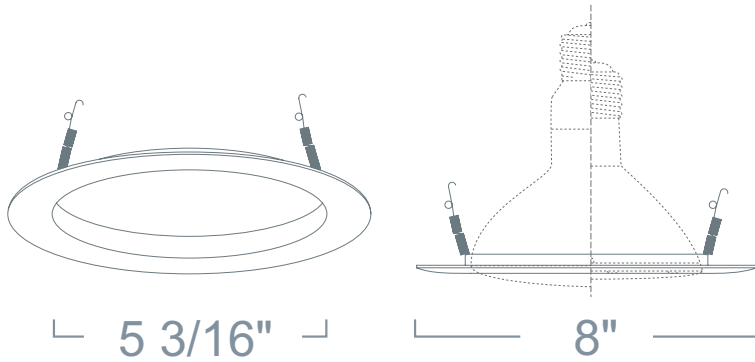


LR40 - OPEN TRIM 6" LINE VOLTAGE TRIMS



SPECIFICATION

120V 150W Max PAR38/R40 MED E26

Application: Open style downlights allow for maximum light output. The 100% lumen efficiency ensures no light leakage or lumen loss inside the trim or housing. The lamp is situated at the surface of the ceiling in order to get a maximum lumen output. Their simple design also allows for a budget friendly initial cost while ensuring that none of the light from the lamp is lost.

Mounting: Steel pressure springs mounted on trim to ensure positive retention inside housing.

Ring Finish: Die-Formed Aluminum Trim Ring Available in White, Clear, Gold and Polished Brass.

Label: UL Listed, cETL Listed

COMPATIBILITY

 LH27 STANDARD SHALLOW HOUSING	 LH27R REMODEL SHALLOW HOUSING	 LH7 STANDARD HOUSING
 LH7IC 100W IC HOUSING	 LH7R REMODEL HOUSING	

Note: Wattage limitations on compatible items must be met.

2016.6.14

FEATURE:



ORDERING EXAMPLE : LR40W

LR40 RING FINISH

- LR40 W** :White
- C** :Clear
- G** :Gold
- PB** :Polished Brass

ID# : 21