

# KT-VULED20PS-JJ1-8CSB

## LED VAPOR UTILITY JELLY JAR FIXTURE

### DESCRIPTION

LED Vapor Utility Jelly Jar | Power Select and Color Select

### APPLICATION

Wall or ceiling mount for outdoor use in rugged commercial applications (tunnels, marine environments, warehouses, loading docks)



RoHS Compliant



10 YEAR LIMITED WARRANTY

### PRODUCT FEATURES

- Keystone Power Select technology (see *Performance Specifications* for details)
- Keystone Color Select technology (3000/4000/5000K)
- ± 90° adjustable with hex lock-in screw
- Five (5) 3/4" NPT knockouts available for conduit mounting
- Ambient operating temperature: -20°C/-4°F - 45°C/113°F
- LED chip lifetime: L70 > 100,000hrs @ 25°C/77°F ambient fixture temperature
- UL Certified, IP65 Rated
- Suitable for use in wet locations
- Compliant with FCC Part 15, Subpart B, Class B standards
- IK10 impact rating

### PERFORMANCE SPECIFICATIONS DETAILED

Catalog Number	Selectable Wattage	Selectable CCT	Lumens	Efficacy	Input Voltage	CRI	Housing Color	Lifetime
KT-VULED20PS-JJ1-8CSB	20W	3000K	2,400	120 lm/W	120-277V	>80	Gray	50,000hrs
		4000K	2,460	123 lm/W				
		5000K	2,460	123 lm/W				
	15W	3000K	1,770	118 lm/W				
		4000K	1,820	121 lm/W				
		5000K	1,830	122 lm/W				
	10W	3000K	1,290	129 lm/W				
		4000K	1,340	134 lm/W				
		5000K	1,360	136 lm/W				

\* Preset to (5000K)  
 \* Color Uniformity: CCT (Correlated Color Temperature) range as per guidelines outlined in ANSI C78.377-2017.

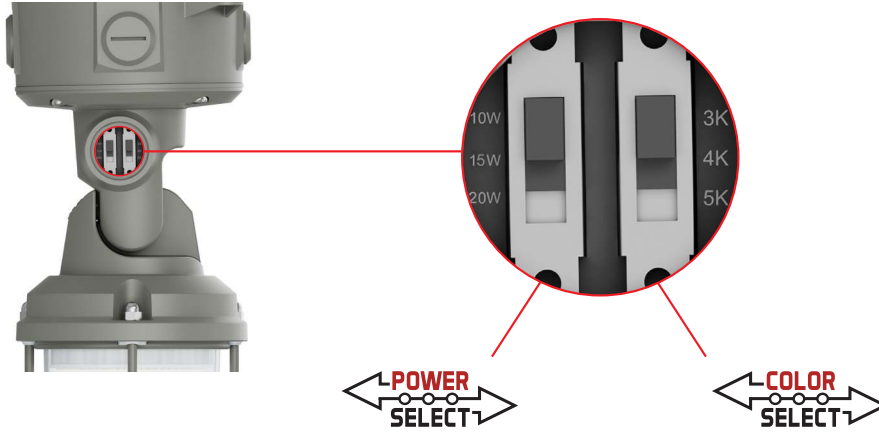
# KT-VULED20PS-JJ1-8CSB

## LED VAPOR UTILITY JELLY JAR FIXTURE

### KEY FEATURES

This fixture is equipped with field-adjustable selectable wattage and selectable CCT adjustment technology.

1. Ensure power is off to the fixture.
2. Remove knock-out (KO) on side of fixture.
3. Select a wattage and color temperature by adjusting dip switches to desired settings.
4. Replace and tighten KO.
5. Restore power to fixture.



#### POWER SELECT ADJUSTMENT SWITCH

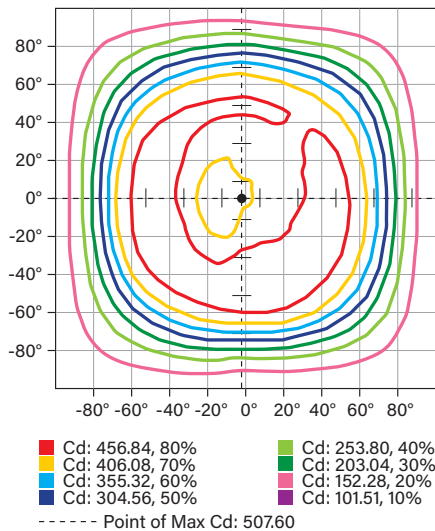
Set dip switch to adjust between 10W, 15W, and 20W. Fixture preset 20W.

#### COLOR SELECT ADJUSTMENT SWITCH

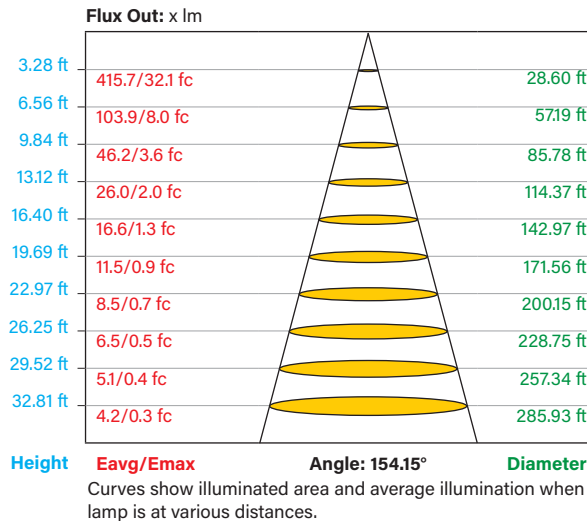
Set dip switch to adjust CCT between 3000K, 4000K, and 5000K. Fixture preset at 5000K.

### PHOTOMETRIC SPECIFICATIONS (KT-VULED20PS-JJ1-8CSB)

#### ISOCANDELA PLOT



#### LUX DISTANCE CURVE



#### ZONAL LUMEN SUMMARY

Zone	Lumens	% Luminaire
<b>Forward Light</b>	<b>1065 lm</b>	<b>44.5%</b>
0°-30°	184.7 lm	7.7%
30°-60°	523.5 lm	21.9%
60°-80°	283.2 lm	11.8%
80°-90°	73.6 lm	3.1%
<b>Back Light</b>	<b>1061.5 lm</b>	<b>44.4%</b>
0°-30°	173.6 lm	7.3%
30°-60°	525.8 lm	22.0%
60°-80°	285.3 lm	11.9%
80°-90°	76.8 lm	3.2%
<b>Up Light</b>	<b>264.1 lm</b>	<b>11%</b>
90°-100°	98.1 lm	4.1%
100°-180°	166 lm	6.9%

#### BUG\* Rating

#### Asymmetrical Luminaire Types

Type I, II, III, IV	B1-U3-G1
---------------------	----------

\* Backlight, Uplight, Glare

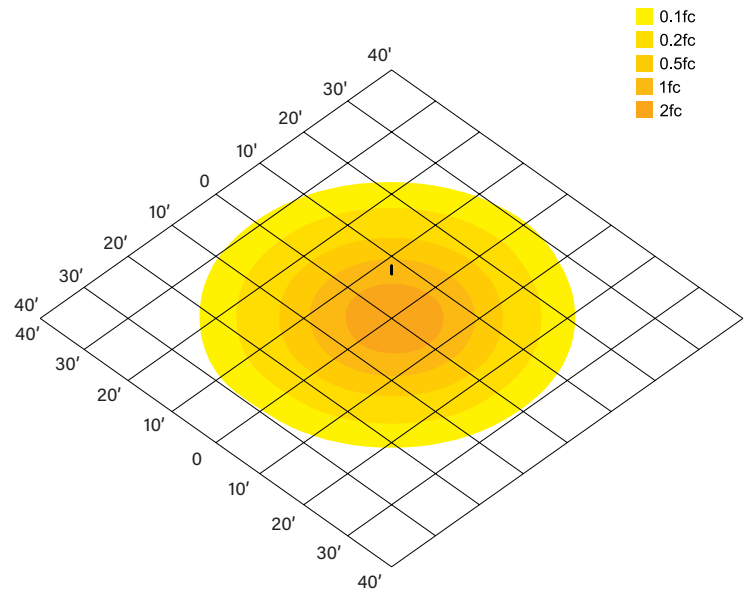
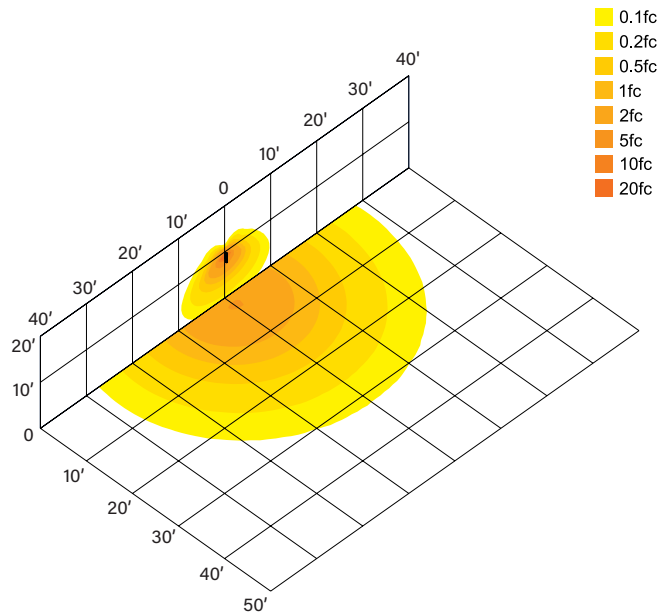
# KT-VULED20PS-JJ1-8CSB

## LED VAPOR UTILITY JELLY JAR FIXTURE

### PHOTOMETRIC SPECIFICATIONS (KT-VULED20PS-JJ1-8CSB)

#### LIGHT DISTRIBUTION PATTERN

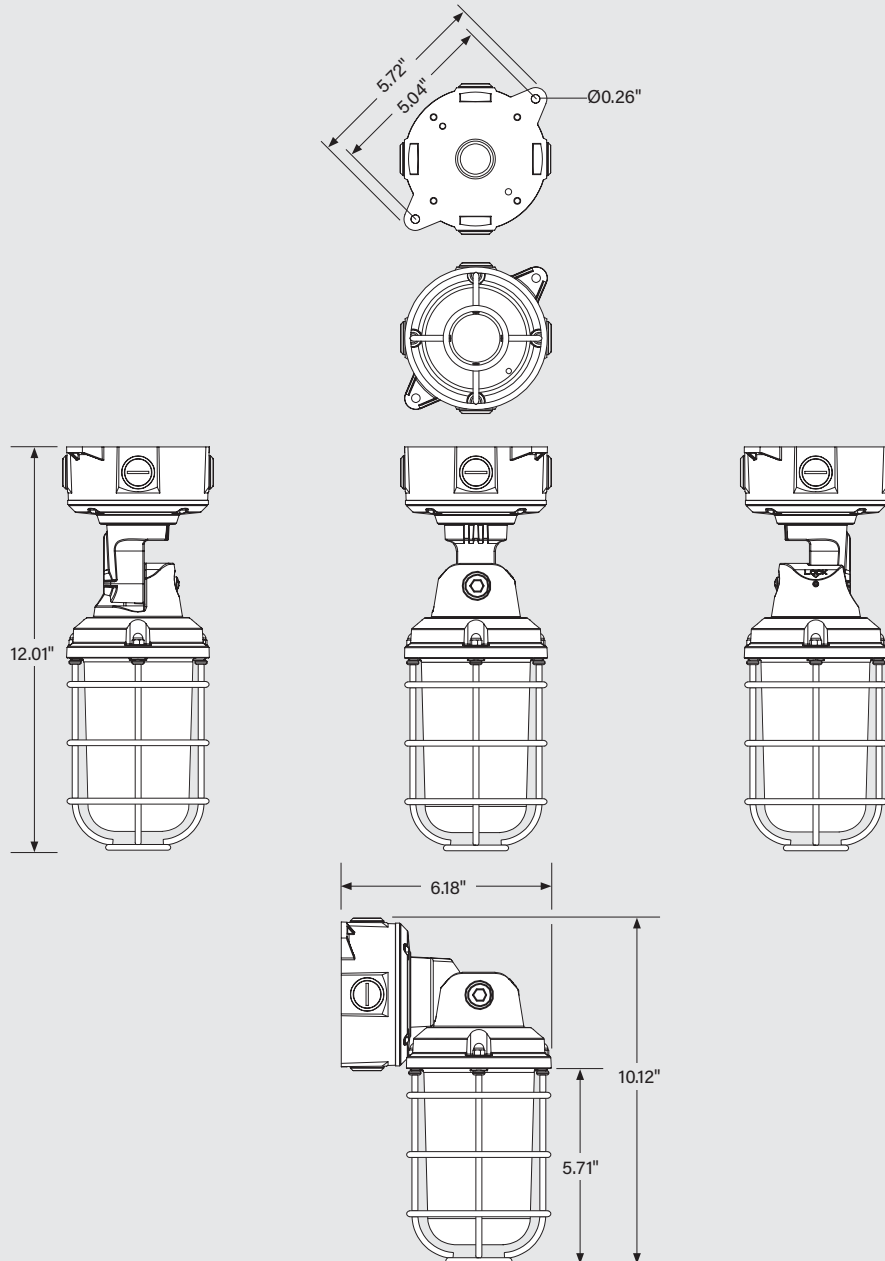
Isometric view from above; Luminaire mounted at 10'



# KT-VULED20PS-JJ1-8CSB

## LED VAPOR UTILITY JELLY JAR FIXTURE

### PHYSICAL SPECIFICATIONS



### WEIGHT

Catalog Number	Fixture Weight	Carton Weight
KT-VULED20PS-JJ1-8CSB	2.43 lbs	2.65 lbs

# KT-VULED20PS-JJ1-8CSB

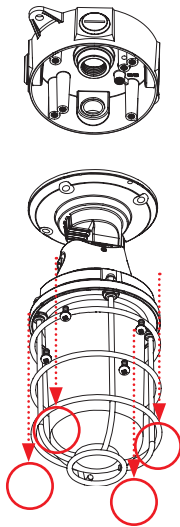
## LED VAPOR UTILITY JELLY JAR FIXTURE

### INSTALLATION INSTRUCTIONS

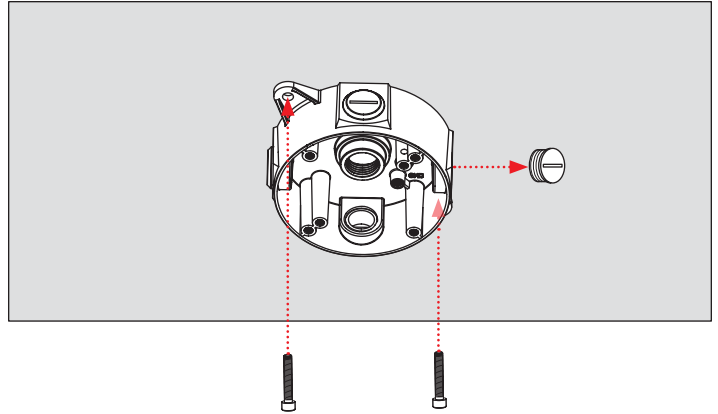
#### CEILING MOUNT WITH SIDE WIRING CONDUIT

**1. Shut off power at the source.**

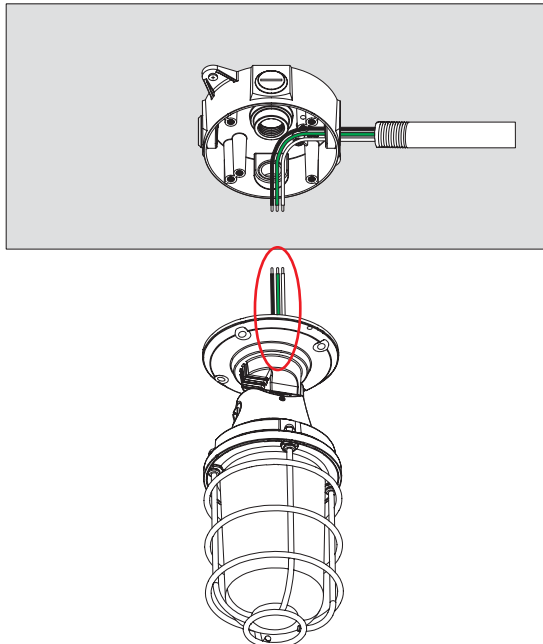
Remove four (4) screws.  
 Separate front from base.



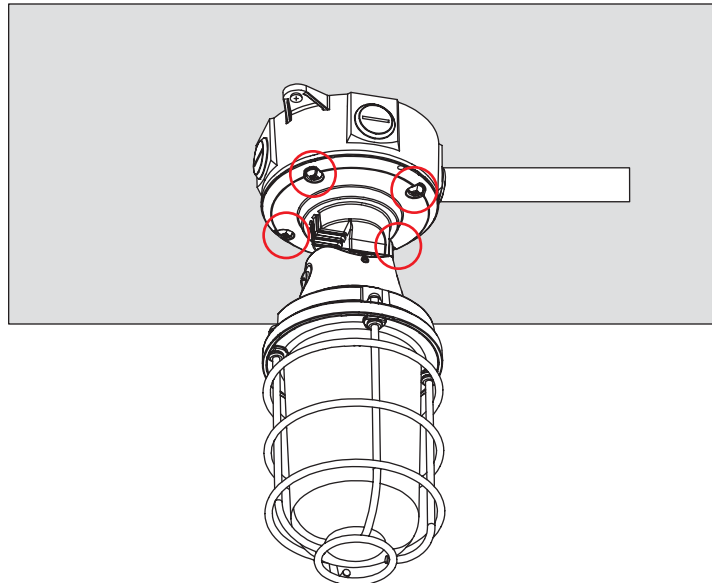
**2. Remove gasket nut from appropriate side threading hole in base.  
 Secure base to ceiling with two (2) screws.**



**3. Feed wires from side conduit into base through side threading hole.  
 Make electrical connections (see *Wiring Diagram* on page 2).**



**4. Reconnect front to base using four (4) screws.  
 Restore power to the fixture.**



*(Installation Instructions continue on next page)*

# KT-VULED20PS-JJ1-8CSB

## LED VAPOR UTILITY JELLY JAR FIXTURE

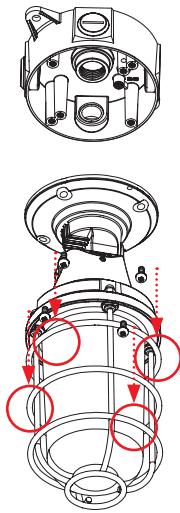
### INSTALLATION INSTRUCTIONS (continued)

#### CEILING MOUNT WITH WIRING CONDUIT THROUGH CEILING

**1. Shut off power at the source.**

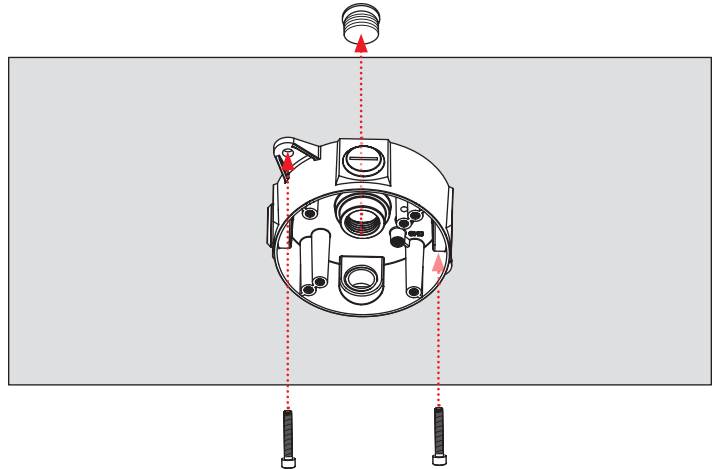
Remove four (4) screws.

Separate front from base.



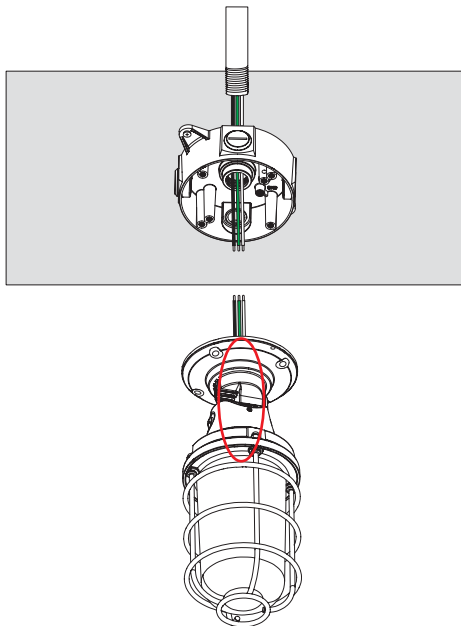
**2. Remove gasket nut from top threading hole of base.**

Secure base to ceiling with two (2) screws.



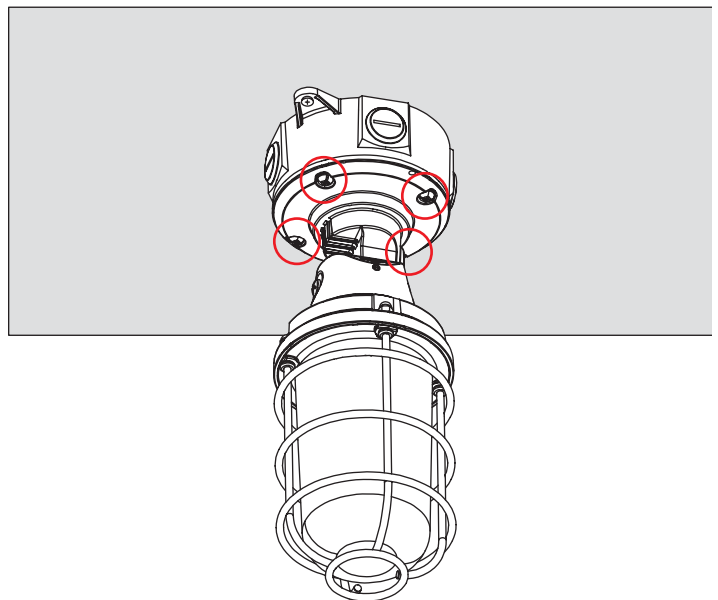
**3. Feed wires from ceiling conduit into base through ceiling threading hole.**

Make electrical connections (see **Wiring Diagram** on page 2).



**4. Reconnect front to base using four (4) screws.**

Restore power to the fixture.



(Installation Instructions continue on next page)

# KT-VULED20PS-JJ1-8CSB

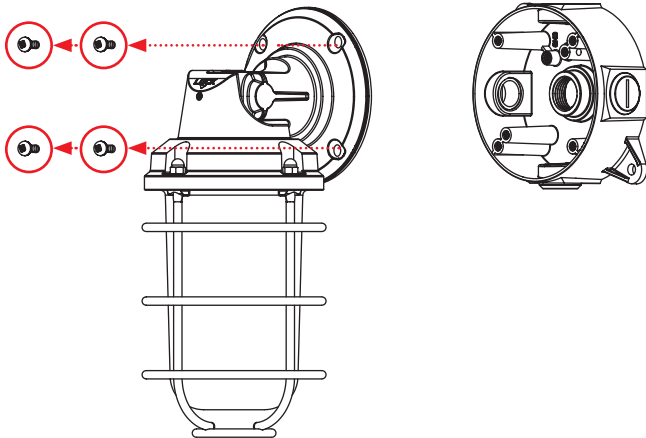
## LED VAPOR UTILITY JELLY JAR FIXTURE

### INSTALLATION INSTRUCTIONS (continued)

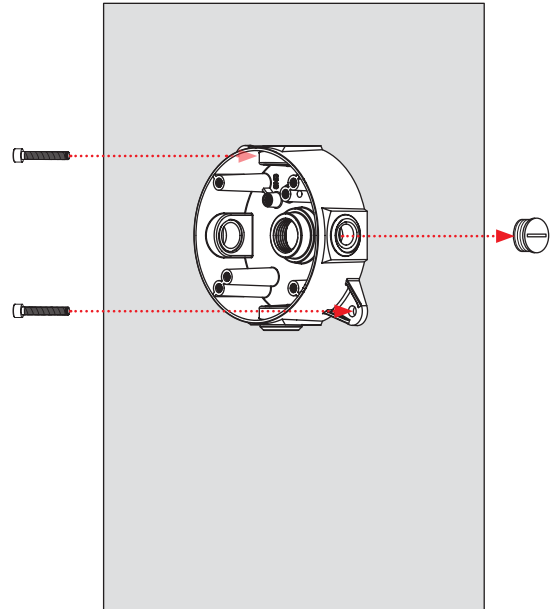
#### WALL MOUNT WITH SIDE WIRING CONDUIT

**1. Shut off power at the source.**

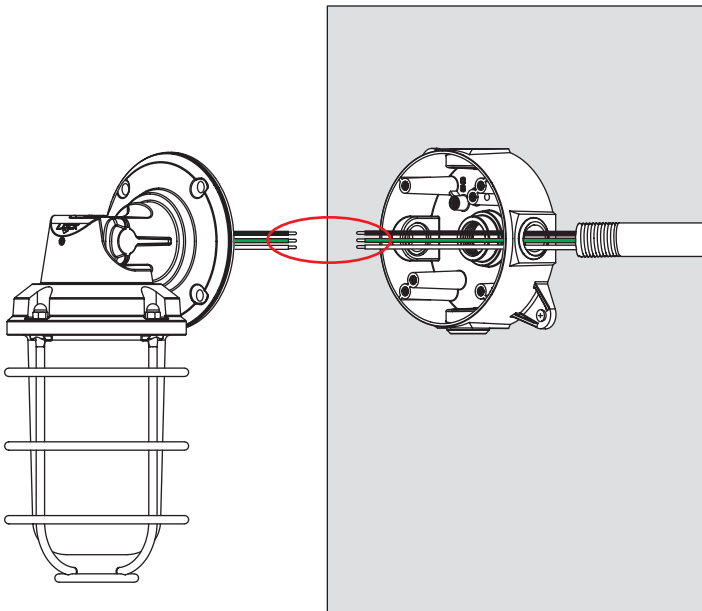
Remove four (4) screws from front.  
Separate front from base.



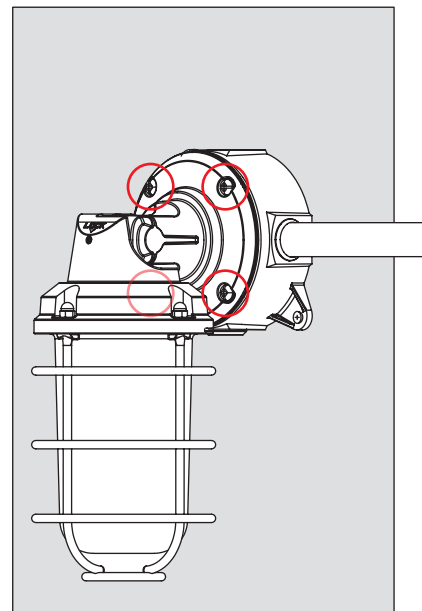
**2. Remove gasket nut from appropriate side threading hole in base. Secure base to wall with two (2) screws.**



**3. Feed wires from side conduit into base through side threading hole. Make electrical connections (see *Wiring Diagram* on page 2).**



**4. Reconnect front to base using four (4) screws. Restore power to the fixture.**



(Installation Instructions continue on next page)

# KT-VULED20PS-JJ1-8CSB

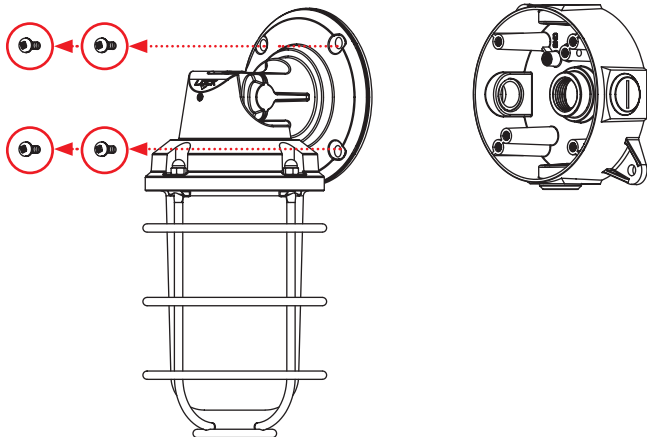
## LED VAPOR UTILITY JELLY JAR FIXTURE

### INSTALLATION INSTRUCTIONS (continued)

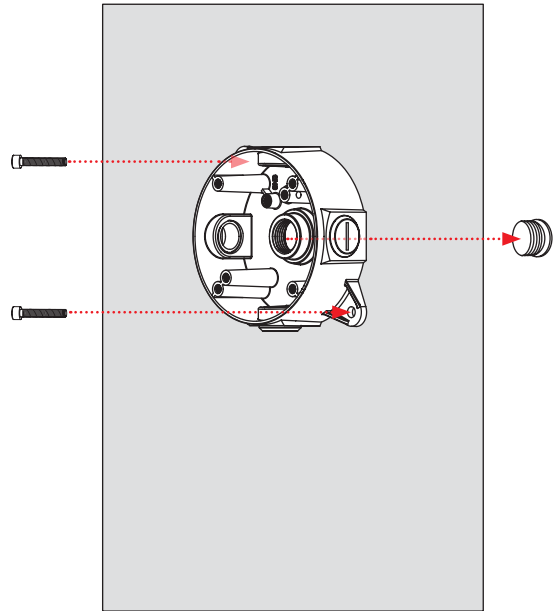
#### WALL MOUNT WITH WIRING CONDUIT THROUGH WALL

**1. Shut off power at the source.**

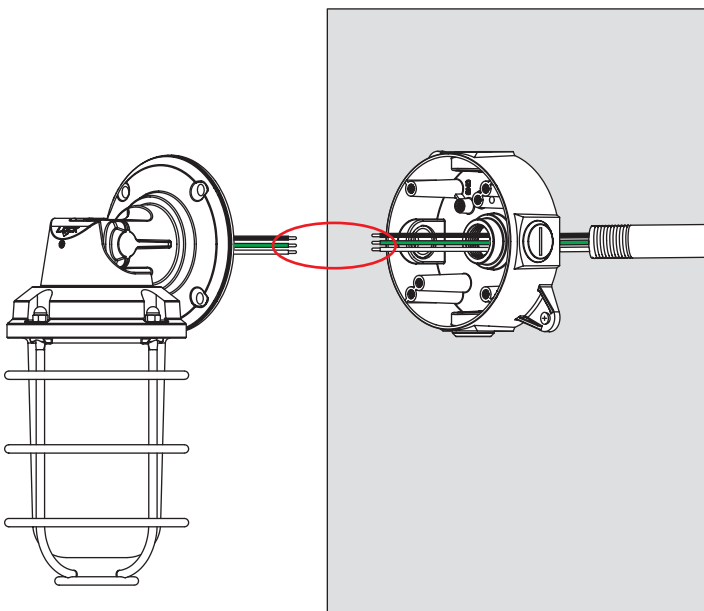
Remove four (4) screws from front.  
Separate front from base.



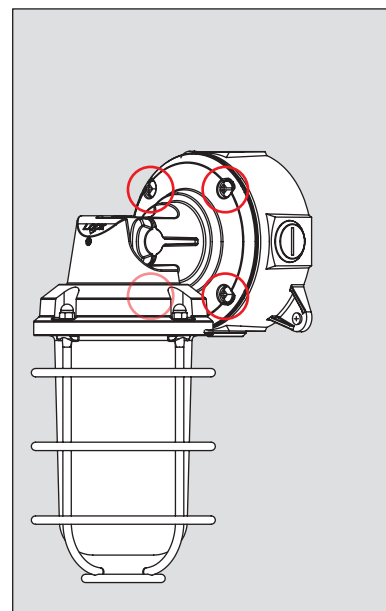
**2. Remove gasket nut from top threading hole of base.  
Secure base to wall with two (2) screws.**

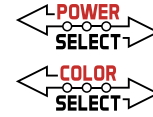


**3. Feed wires from wall conduit into base through wall threading hole.  
Make electrical connections (see *Wiring Diagram* on page 2).**



**4. Reconnect front to base using four (4) screws.  
Restore power to the fixture.**





# KT-VULED20PS-JJ1-8CSB

## LED VAPOR UTILITY JELLY JAR FIXTURE

**ORDERING INFORMATION**

Catalog Number	UPC	Easy Code	DLC Product ID
KT-VULED20PS-JJ1-8CSB	843654176475	GPN-06	S-C5LH8G

**CATALOG NUMBER BREAKDOWN**

# KT-VULED20PS-JJ1-8CSB

1
2
3
4
5
6
7
8
9

- 1** Keystone Technologies
- 2** Vapor Utility LED Fixture
- 3** Max Wattage
- 4** Power Select
- 5** Jelly Jar
- 6** Style 1
- 7** 80 CRI
- 8** Color Select
- 9** Color Select Designation

**9 Color Select Designation**

B	3000/4000/5000K
---	-----------------