



# KT-FLED75-R1A-UNV-8CSB-VDIM

## COMPACT 75W GENERAL-PURPOSE LED FLOODLIGHT

### DESCRIPTION

Compact 75W General-Purpose LED Floodlight | 120–277V Input  
3000–5000K | Bronze Housing | Universal Mount

### APPLICATION

Building or ground mount application for outdoor illumination (landscapes, display signage, loading docks, building façades, pathways, parking areas, and other general site lighting requirements)



**10 YEAR**  
LIMITED WARRANTY

### PRODUCT FEATURES

- Keystone Color Select technology (3000/4000/5000K)
- Uniform, wide flood design (NEMA 7H x 7V distribution pattern)
- Heavy-duty, die cast aluminum housing featuring built-in glare visor and tempered glass lens
- Powered by Keystone 0–10V dimming LED drivers
- Built-in dusk-to-dawn photocell behind translucent 3/4" threaded plug with anti-yellowing agent
- Heavy-duty slip fitter mount and trunnion mount options included
- Ambient operating temperature: –40°C/–40°F to 45°C/113°F
- UL listed for wet locations, IP65
- 0–10V dimming, 10% min
- Power Factor: >0.95
- THD: <20%
- LED chip lifetime: L70 >100,000 hrs @ 25°C/77°F ambient fixture temp
- Meets FCC Part 15, Part B, Class A standards for conducted and radiated emissions
- 18" input cable, pre-stripped
- Fixture impact rating IK07

### PERFORMANCE SPECIFICATIONS

Catalog Number	Wattage	Selectable CCT *	Lumens	Efficacy	Input Voltage	Housing Color	CRI	Dimming	Mounting	Rated Life	Legacy Equivalent
KT-FLED75-R1A-UNV-8CSB-VDIM	75W	3000K	9150 lm	122 lm/W	120–277V	Bronze	>80	0–10V	Universal: 2 3/8" Slip fitter or trunnion	50,000 hrs	250–320W MH
		4000K	10725 lm	143 lm/W							
		5000K	10050 lm	134 lm/W							

\* Color Uniformity: CCT (Correlated Color Temperature) range as per guidelines outlined in ANSI C78.377-2017

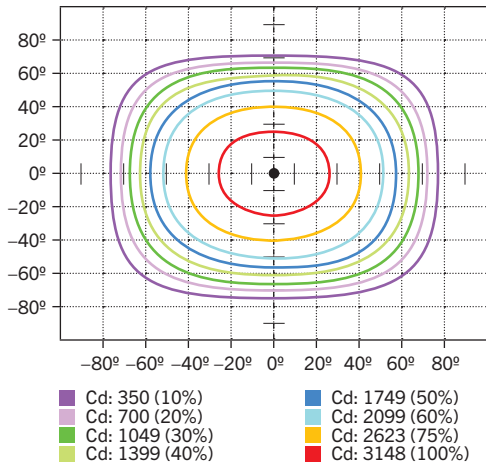


# KT-FLED75-R1A-UNV-8CSB-VDIM

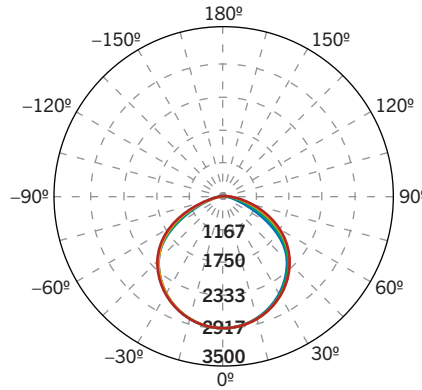
## COMPACT 75W GENERAL-PURPOSE LED FLOODLIGHT

### PHOTOMETRIC SPECIFICATIONS

#### ISOCANDELA PLOT



#### LUMINOUS INTENSITY DISTRIBUTION



Average diffuse angle (50%): 114.2°

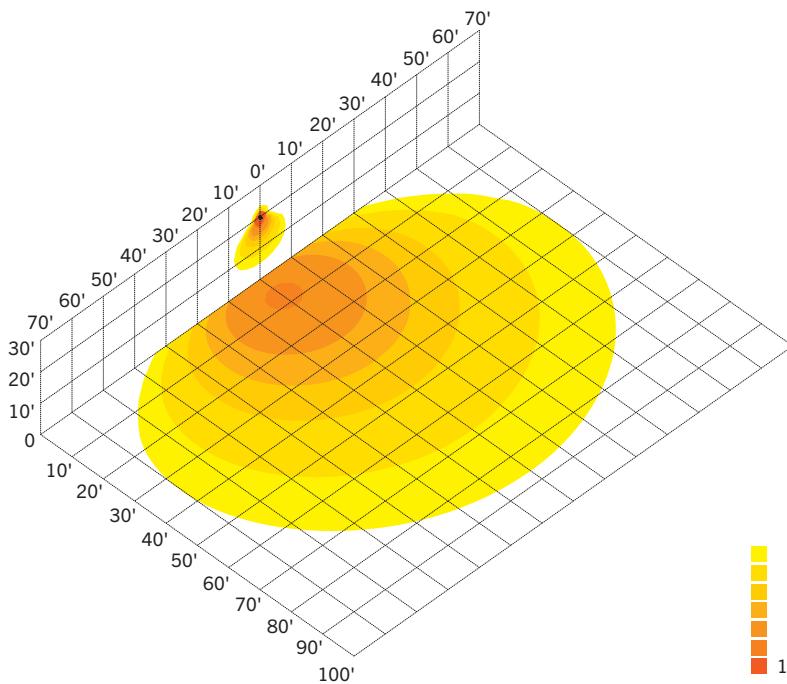
- 1 Blue - 0° H
- 2 Red - 90° H
- 3 Green - 22.5° H
- 4 Orange - 45° H
- 5 Grey - 67.5° H

#### FLUX DISTRIBUTION

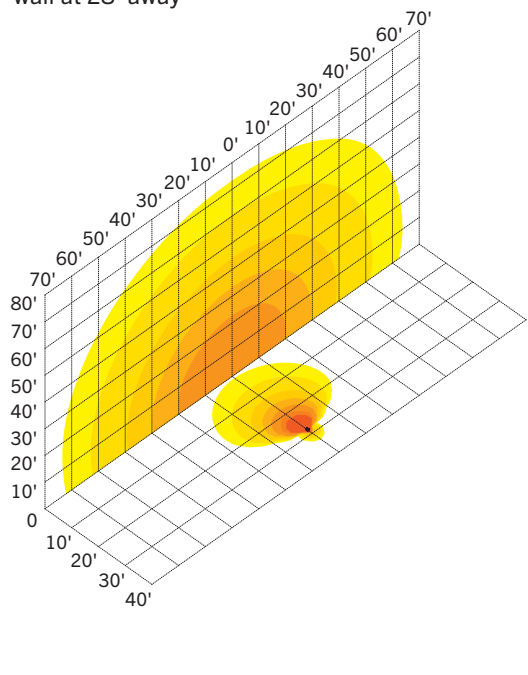
Zone	Lumens	% Luminaire
<b>Forward Light</b>	4,702 lm	49.6%
0°-30°	1,377 lm	14.4%
30°-60°	2,659 lm	27.8%
60°-80°	696 lm	7.3%
80°-90°	10 lm	0.1%
<b>Back Light</b>	4,814 lm	50.4%
0°-30°	1,366 lm	14.3%
30°-60°	2,644 lm	27.7%
60°-80°	788 lm	8.2%
80°-90°	16 lm	0.2%
<b>Up Light</b>	0 lm	0.0%
90°-100°	0 lm	0.0%
100°-180°	0 lm	0.0%

#### LIGHT DISTRIBUTION PATTERNS (Isometric view from above)

Building exterior mounted at 20', 30° below horizontal



Ground mounted at 6" above ground, 10° above horizontal, shining towards building exterior wall at 28' away



- 0.1 fc
- 0.2 fc
- 0.5 fc
- 1.0 fc
- 2.0 fc
- 5.0 fc
- 10.0 fc

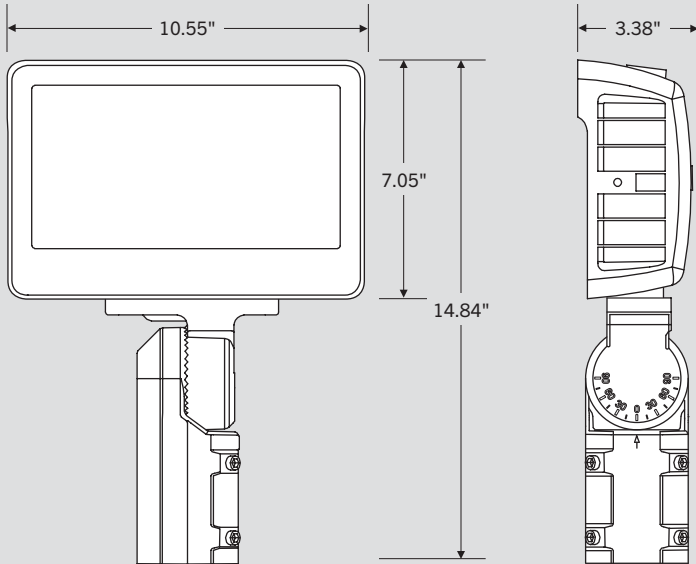


# KT-FLED75-R1A-UNV-8CSB-VDIM

## COMPACT 75W GENERAL-PURPOSE LED FLOODLIGHT

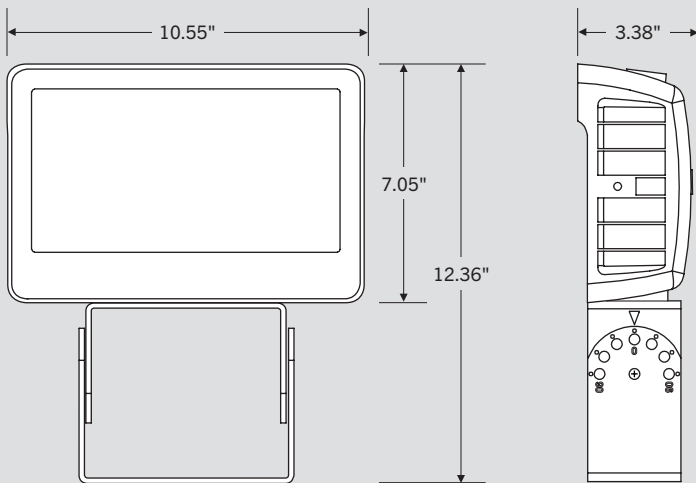
### PHYSICAL SPECIFICATIONS

#### SLIP FITTER MOUNT



	EPA
Mounted Vertical	0.62 sq/ft
Mounted Horizontal	0.30 sq/ft
Mounted 45°	0.65 sq/ft

#### TRUNNION MOUNT



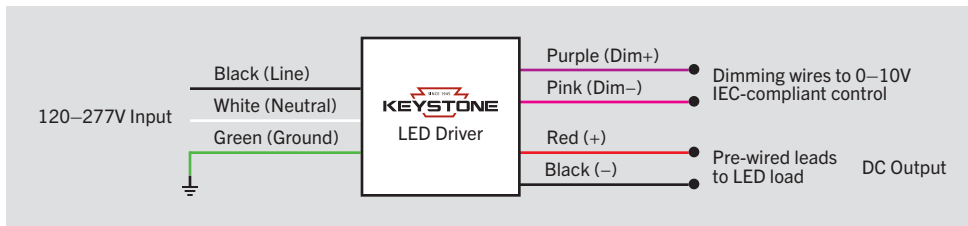


# KT-FLED75-R1A-UNV-8CSB-VDIM

## COMPACT 75W GENERAL-PURPOSE LED FLOODLIGHT

### GENERAL SETUP INSTRUCTIONS

#### GENERAL WIRING DIAGRAM



**Caution:** Before installing, make certain that AC power to the fixture is off.

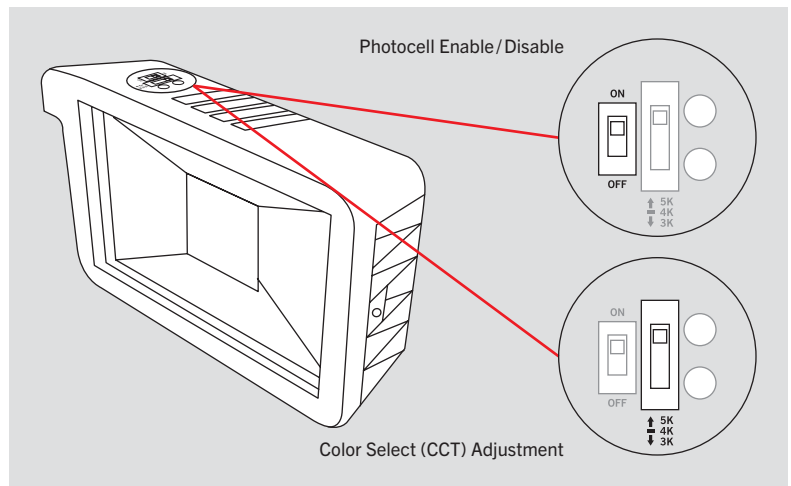
**Caution:** The electrical rating of this product is 120–277V. Installer must confirm that there is 120–277V at the fixture before installation.

#### PHOTOCELL ENABLE/DISABLE

This fixture is equipped with a dusk-to-dawn photocell behind the translucent knock-out (KO) cover. Adjust the dip switch to enable (ON) or disable (OFF) the photocell function (see illustrations to the right). Fixture comes pre-set with photocell enabled unless otherwise noted.

#### COLOR SELECT (CCT) ADJUSTMENT

This fixture is equipped with Color Select technology. There is an adjustable dip switch behind the translucent knock-out (KO) cover to change CCT between 5000K, 4000K, and 3000K (see illustrations to the right). Fixture comes preset at 5000K unless otherwise noted.

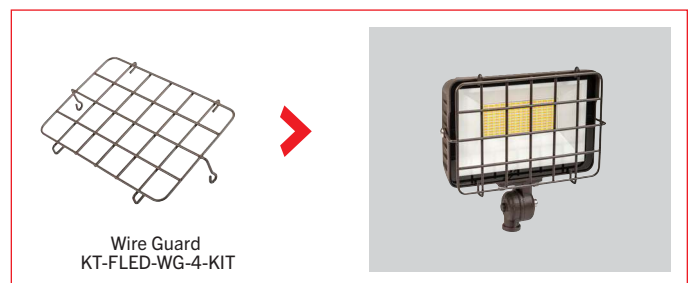
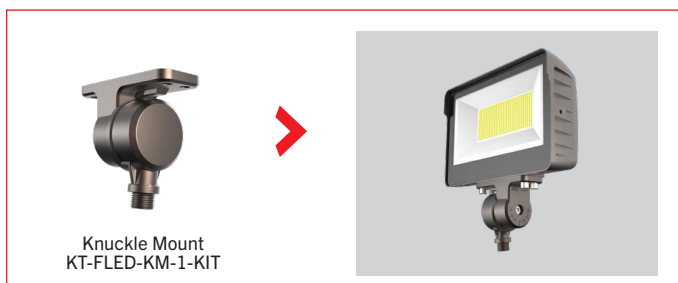


### ACCESSORIES (SOLD SEPARATELY)

#### MOUNTS AND BRACKETS

Field-Installable (field-installable options must be purchased separately)

CATALOG NUMBER	DESCRIPTION	UPC	EASY CODE
KT-FLED-KM-1-KIT	Knuckle Mount for 75W and 100W Rectangular Series 1 LED Floodlight. Includes Mounting Hardware. Standard Bronze Housing.	843654146836	JAR-10
KT-FLED-WG-4-KIT	Wire guard for 75W and 100W Rectangular Series 1 LED Floodlight	843654138855	EFZ-60





# KT-FLED75-R1A-UNV-8CSB-VDIM

## COMPACT 75W GENERAL-PURPOSE LED FLOODLIGHT

### ORDERING INFORMATION

CATALOG NUMBER	PACK QTY.	UPC	EASY CODE	DLC PRODUCT ID
KT-FLED75-R1A-UNV-8CSB-VDIM	1	843654130293	WDN-12	PSBSKE1P
				S-GW4BX7
				S-N0LI5R

### CATALOG NUMBER BREAKDOWN

# KT-FLED75-R1A-UNV-8CSB-VDIM

1 2 3 4 5 6 7 8 9 10 11 12 13

- 1 Keystone Technologies
- 2 Fixture Type
- 3 LED Lamp
- 4 Max Wattage
- 5 Shape
- 6 Series Designation
- 7 Distribution
- 8 Mounting
- 9 CRI
- 10 Color
- 11 Color Select Designation
- 12 Dimming
- 13 Housing Color

#### 2 Fixture Type

F	Flood
---	-------

#### 7 Distribution

A	NEMA 7H x 7V
---	--------------

#### 10 Color

CS	Color Select
----	--------------

#### 12 Dimming

VDIM	0-10V
------	-------

#### 5 Shape

R	Rectangular
---	-------------

#### 8 Mounting

UNV	Universal
-----	-----------

#### 11 Color Select Designation

B	3000/4000/5000K
---	-----------------

#### 13 Housing Color

	Bronze
W	White

#### 6 Series Designation

1	General Purpose Floodlight
---	----------------------------

#### 9 CRI

8	>80
---	-----

*\*Note: Special order housing color options have extended lead times.*