



# KT-FLED60-R1A-UNV-8CSB-VDIM

## COMPACT 60W GENERAL-PURPOSE LED FLOODLIGHT

### DESCRIPTION

Compact 60W General-Purpose LED Floodlight | 120-277V Input | 3000-5000K | Bronze Housing | Multiple Mounting Options

### APPLICATION

Building or ground mount application for outdoor illumination (landscapes, display signage, loading docks, building façades, pathways, parking areas, and other general site lighting requirements)



**10 YEAR**  
LIMITED WARRANTY

### PRODUCT FEATURES

- Keystone Color Select technology (3000/4000/5000K)
- Uniform, wide flood design (NEMA 7H x 7V distribution pattern)
- Heavy-duty, die cast aluminum housing featuring built-in glare visor and tempered glass lens
- Powered by Keystone 0-10V dimming LED driver
- Built-in dusk-to-dawn photocell behind translucent 3/4" threaded plug with anti-yellowing agent
- Heavy-duty 1/2" knuckle mount with 90° adjustment and yoke mount options included
- Ambient operating temperature: -30°C/-22°F to 45°C/113°F
- UL listed for wet locations, IP65
- 0-10V dimming, 10% min
- Power Factor: >0.95
- THD: <20%
- LED chip lifetime: L70 >100,000 hrs @ 25°C/77°F ambient fixture temp
- Meets FCC Part 15, Part B, Class A standards for conducted and radiated emissions
- 18" input cable, pre-stripped
- Fixture impact rating IK07

### PERFORMANCE SPECIFICATIONS

Catalog Number	Wattage	Selectable CCT*	Lumens	Efficacy	Input Voltage	Housing Color	Optics Type	DLC	CRI	Metal Halide Equivalent
KT-FLED60-R1A-UNV-8CSB-VDIM	60W	3000K	7320 lm	122 lm/W	120-277V	Bronze	7H x 7V	Yes	>80	250W MH
		4000K	8580 lm	143 lm/W						
		5000K	8040 lm	134 lm/W						

\* Color Uniformity: CCT (Correlated Color Temperature) range as per guidelines outlined in ANSI C78.377-2017

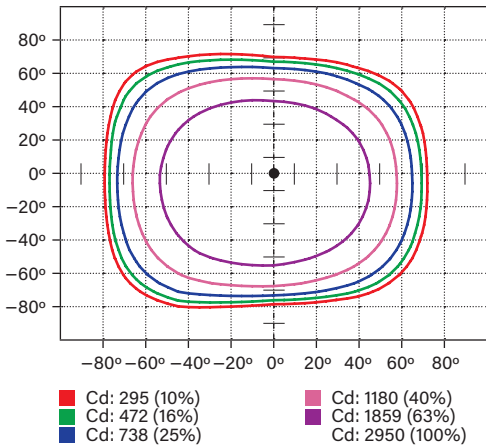


# KT-FLED60-R1A-UNV-8CSB-VDIM

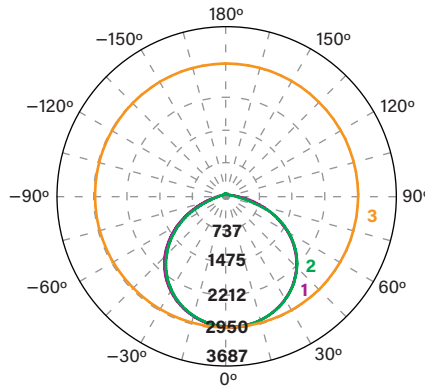
## COMPACT 60W GENERAL-PURPOSE LED FLOODLIGHT

### PHOTOMETRIC SPECIFICATIONS

#### ISOCANDELA PLOT



#### LUMINOUS INTENSITY DISTRIBUTION



#### FLUX DISTRIBUTION

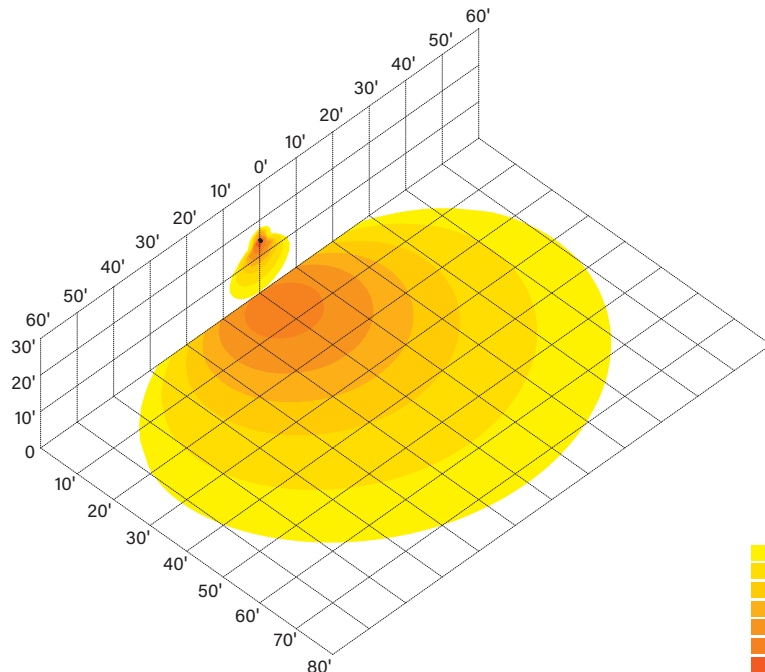
Zone	Lumens	% Luminaire
<b>Forward Light</b>	4,171 lm	50.8%
0°-30°	1,159 lm	14.1%
30°-60°	2,300 lm	28.0%
60°-80°	699 lm	8.5%
80°-90°	14 lm	0.2%
<b>Back Light</b>	3,981 lm	48.4%
0°-30°	1,146 lm	13.9%
30°-60°	2,200 lm	26.8%
60°-80°	624 lm	7.6%
80°-90°	11 lm	0.1%
<b>Up Light</b>	65 lm	0.8%
90°-100°	3 lm	0.0%
100°-180°	61 lm	0.7%

BUG* Rating	
<b>Asymmetrical Luminaire Types</b>	
Type I, II, III, IV	B3 U2 G2
<b>Quadrilateral Symmetrical Luminaire Types</b>	
Type V, Area Light	B3 U2 G1

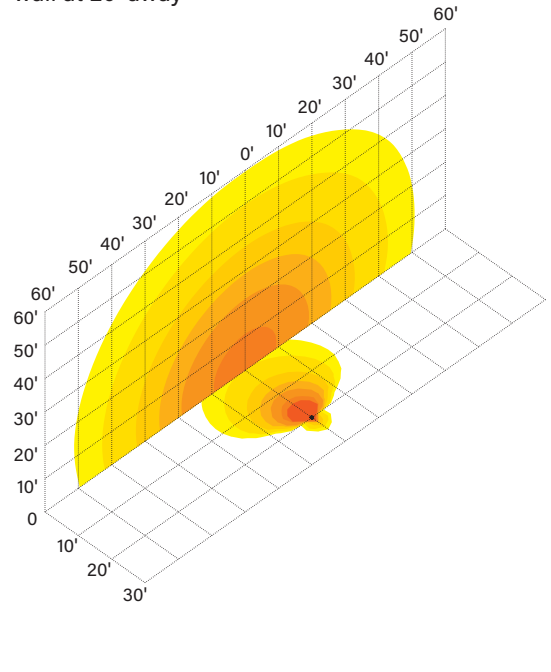
\* Backlight, Uplight, Glare

#### LIGHT DISTRIBUTION PATTERNS (Isometric view from above)

Building exterior mounted at 15',  
30° below horizontal



Ground mounted at 6" above ground,  
10° above horizontal, shining towards building exterior  
wall at 20' away



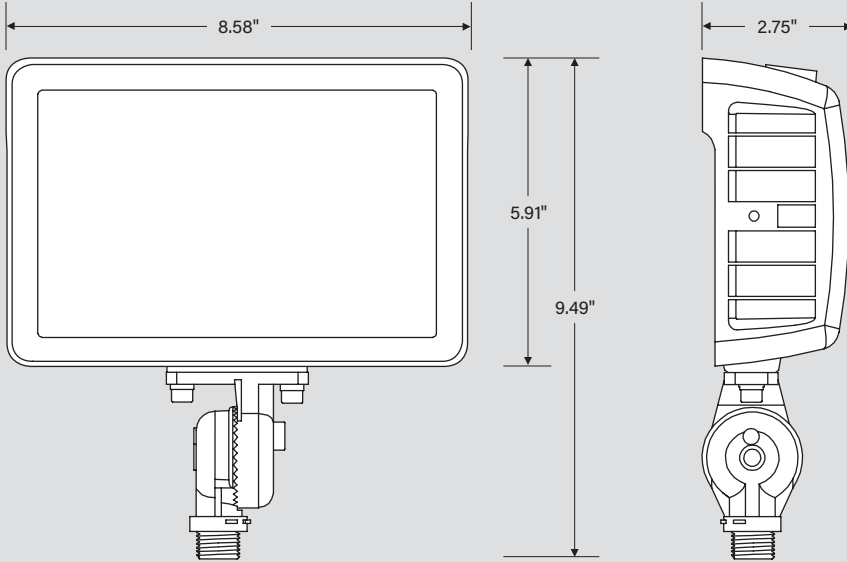


# KT-FLED60-R1A-UNV-8CSB-VDIM

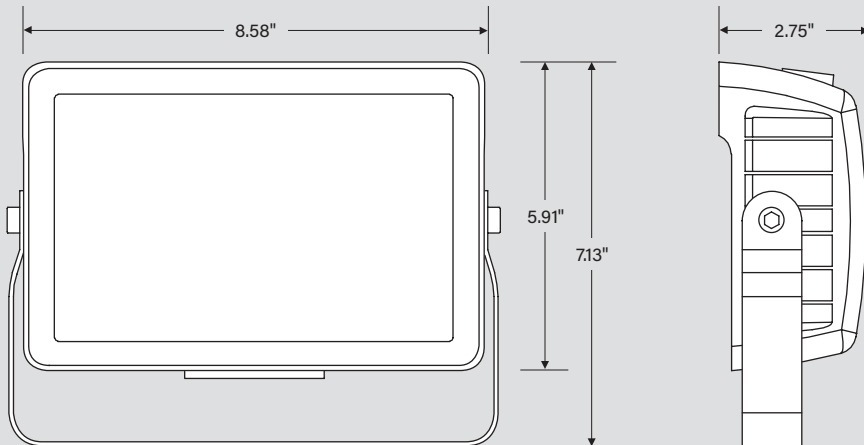
## COMPACT 60W GENERAL-PURPOSE LED FLOODLIGHT

### PHYSICAL SPECIFICATIONS

#### KNUCKLE MOUNT



#### YOKE MOUNT



	EPA
Mounted Vertical	0.42 sq/ft
Mounted Horizontal	0.20 sq/ft
Mounted 45°	0.44 sq/ft

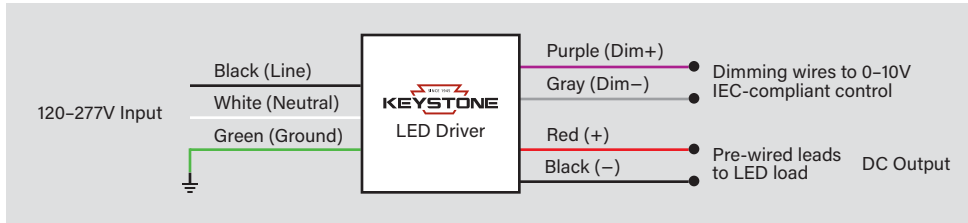


# KT-FLED60-R1A-UNV-8CSB-VDIM

## COMPACT 60W GENERAL-PURPOSE LED FLOODLIGHT

### GENERAL SETUP INSTRUCTIONS

#### GENERAL WIRING DIAGRAM



**Caution:** Before installing, make certain that AC power to the fixture is off.

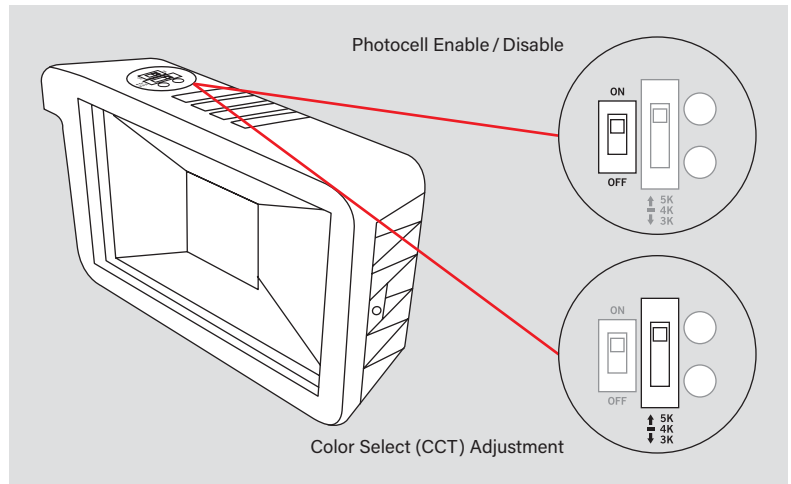
**Caution:** The electrical rating of this product is 120-277V. Installer must confirm that there is 120-277V at the fixture before installation.

#### PHOTOCELL ENABLE / DISABLE

This fixture is equipped with a dusk-to-dawn photocell behind the translucent knock-out (KO) cover. Adjust the dip switch to enable (ON) or disable (OFF) the photocell function (see illustrations to the right). Fixture comes pre-set with photocell enabled unless otherwise noted.

#### COLOR SELECT (CCT) ADJUSTMENT

This fixture is equipped with Color Select technology. There is an adjustable dip switch behind the translucent knock-out (KO) cover to change CCT between 5000K, 4000K, and 3000K (see illustrations to the right). Fixture comes preset at 5000K unless otherwise noted.





# KT-FLED60-R1A-UNV-8CSB-VDIM

## COMPACT 60W GENERAL-PURPOSE LED FLOODLIGHT

**ACCESSORIES (SOLD SEPARATELY)**

**MOUNTS AND BRACKETS**

**Field-Installable** (field-installable options must be purchased separately)

✓	SUFFIX*	CATALOG NUMBER	DESCRIPTION	UPC	EASY CODE
	N/A	KT-FLED-SM-1-KIT	Surface Mount / Wall Mount Kit for Series 1 Flood Lights. Fits 15W thru 60W fixtures. Includes Mounting Hardware. Standard Bronze Housing	843654129167	HZJ-35
	N/A	KT-FLED-RC-4	Round Cover Plate for mounting Floodlights on 4" Round boxes. Includes Mounting Hardware. Standard Bronze Color	843654129181	IOI-49
	N/A	KT-FLED-WG-3-KIT	Wire Guard for 60W Rectangular Series 1 LED Floodlight	843654138848	BME-93
	N/A	KT-FLED-SF-1-KIT	Slip Fitter Mount Adaptor for 15W, 35W, and 60W Rectangular Series 1 LED Floodlight. Bronze	843654153308	TZP-68





# KT-FLED60-R1A-UNV-8CSB-VDIM

## COMPACT 60W GENERAL-PURPOSE LED FLOODLIGHT

**ORDERING INFORMATION**

CATALOG NUMBER	PACK QTY.	UPC	EASY CODE	DLC PRODUCT ID
KT-FLED60-R1A-UNV-8CSB-VDIM	1	843654128986	BVB-78	P5UROM5B S-JO23RD S-UZ1GYC
KT-FLED60-R1A-UNV-8CSB-VDIM /TAA	1	843654158679	IHI-96	

**CATALOG NUMBER BREAKDOWN**

# KT-FLED60-R1A-UNV-8CSB-VDIM

<p><b>1</b> Keystone Technologies</p> <p><b>2</b> Fixture Type</p> <p><b>3</b> LED Lamp</p> <p><b>4</b> Max Wattage</p> <p><b>5</b> Shape</p> <p><b>6</b> Series Designation</p> <p><b>7</b> Distribution</p> <p><b>8</b> Mounting</p> <p><b>9</b> CRI</p> <p><b>10</b> Color</p> <p><b>11</b> Color Select Designation</p> <p><b>12</b> Dimming</p> <p><b>13</b> Housing Color</p> <p><b>14</b> TAA Compliant</p>	<p><b>2</b> Fixture Type</p> <table border="1" style="width: 100%;"> <tr> <td><b>F</b></td> <td>Flood</td> </tr> </table> <p><b>7</b> Distribution</p> <table border="1" style="width: 100%;"> <tr> <td><b>A</b></td> <td>NEMA 7H x 7V</td> </tr> </table> <p><b>10</b> Color</p> <table border="1" style="width: 100%;"> <tr> <td><b>CS</b></td> <td>Color Select</td> </tr> </table> <p><b>12</b> Dimming</p> <table border="1" style="width: 100%;"> <tr> <td><b>VDIM</b></td> <td>0-10V</td> </tr> </table>	<b>F</b>	Flood	<b>A</b>	NEMA 7H x 7V	<b>CS</b>	Color Select	<b>VDIM</b>	0-10V	<p><b>5</b> Shape</p> <table border="1" style="width: 100%;"> <tr> <td><b>R</b></td> <td>Rectangular</td> </tr> </table> <p><b>8</b> Mounting</p> <table border="1" style="width: 100%;"> <tr> <td><b>UNV</b></td> <td>Universal</td> </tr> </table> <p><b>11</b> Color Select Designation</p> <table border="1" style="width: 100%;"> <tr> <td><b>B</b></td> <td>3000/4000/5000K</td> </tr> </table> <p><b>13</b> Housing Color</p> <table border="1" style="width: 100%;"> <tr> <td></td> <td>Bronze</td> </tr> <tr> <td><b>W</b></td> <td>White</td> </tr> </table>	<b>R</b>	Rectangular	<b>UNV</b>	Universal	<b>B</b>	3000/4000/5000K		Bronze	<b>W</b>	White	<p><b>6</b> Series Designation</p> <table border="1" style="width: 100%;"> <tr> <td><b>1</b></td> <td>General Purpose Floodlight</td> </tr> </table> <p><b>9</b> CRI</p> <table border="1" style="width: 100%;"> <tr> <td><b>8</b></td> <td>&gt;80</td> </tr> </table> <p><b>14</b> TAA Compliant</p> <table border="1" style="width: 100%;"> <tr> <td><b>/TAA</b></td> <td>Made in Mexico</td> </tr> </table>	<b>1</b>	General Purpose Floodlight	<b>8</b>	>80	<b>/TAA</b>	Made in Mexico
<b>F</b>	Flood																										
<b>A</b>	NEMA 7H x 7V																										
<b>CS</b>	Color Select																										
<b>VDIM</b>	0-10V																										
<b>R</b>	Rectangular																										
<b>UNV</b>	Universal																										
<b>B</b>	3000/4000/5000K																										
	Bronze																										
<b>W</b>	White																										
<b>1</b>	General Purpose Floodlight																										
<b>8</b>	>80																										
<b>/TAA</b>	Made in Mexico																										

*\*Note: Special order housing color options have extended lead times.*