



# XFIT



## KT-FLED35-R1A-UNV-8CSB-VDIM-W

### COMPACT 35W GENERAL-PURPOSE LED FLOODLIGHT

#### DESCRIPTION

Compact 35W General-Purpose LED Floodlight | 120–277V Input | 3000–5000K | White Housing | Multiple Mounting Options

#### APPLICATION

Building or ground mount application for outdoor illumination (landscapes, display signage, loading docks, building façades, pathways, parking areas, and other general site lighting requirements)



**10 YEAR**  
LIMITED WARRANTY

#### PRODUCT FEATURES

- Keystone Color Select technology (3000/4000/5000K)
- Uniform, wide flood design (NEMA 7H x 7V distribution pattern)
- Heavy-duty, die cast aluminum housing featuring built-in glare visor and tempered glass lens
- Powered by Keystone 0–10V dimming LED driver
- Built-in dusk-to-dawn photocell behind translucent 3/4" threaded plug with anti-yellowing agent
- Heavy-duty 1/2" knuckle mount with 90° adjustment and yoke mount options included
- Ambient operating temperature: –30°C/–22°F to 45°C/113°F
- UL listed for wet locations, IP65
- 0–10V dimming, 10% min
- Power Factor: >0.95
- THD: <20%
- LED chip lifetime: L70 >100,000 hrs @ 25°C/77°F ambient fixture temp
- Meets FCC Part 15, Part B, Class A standards for conducted and radiated emissions
- 18" input cable, pre-stripped
- Fixture impact rating IK07

#### PERFORMANCE SPECIFICATIONS

Catalog Number	Wattage	Selectable CCT*	Lumens	Efficacy	Input Voltage	Housing Color	Optics Type	DLC	CRI	Metal Halide Equivalent
KT-FLED35-R1A-UNV-8CSB-VDIM-W	35W	3000K	4480 lm	128 lm/W	120–277V	White	7H x 7V	Yes	>80	150–175W MH
		4000K	5075 lm	145 lm/W						
		5000K	4900 lm	140 lm/W						

\* Color Uniformity: CCT (Correlated Color Temperature) range as per guidelines outlined in ANSI C78.377-2017

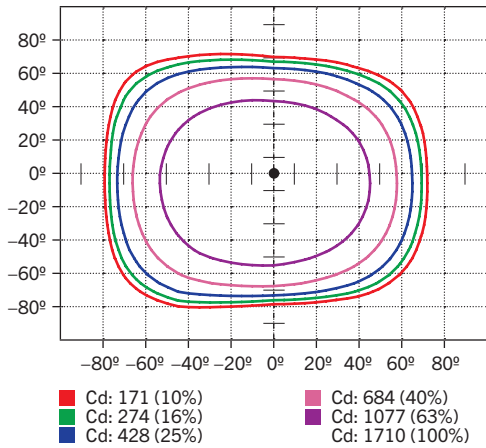


# KT-FLED35-R1A-UNV-8CSB-VDIM-W

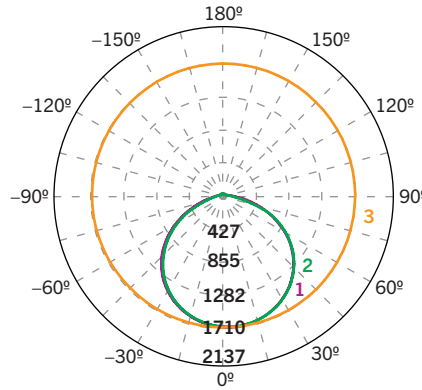
## COMPACT 35W GENERAL-PURPOSE LED FLOODLIGHT

### PHOTOMETRIC SPECIFICATIONS

#### ISOCANDELA PLOT



#### LUMINOUS INTENSITY DISTRIBUTION



Average diffuse angle (50%): **114.3°**  
**1** Violet C0 – C180  
**2** Green C90 – C270  
**3** Orange G3  
 Unit: cd

#### FLUX DISTRIBUTION

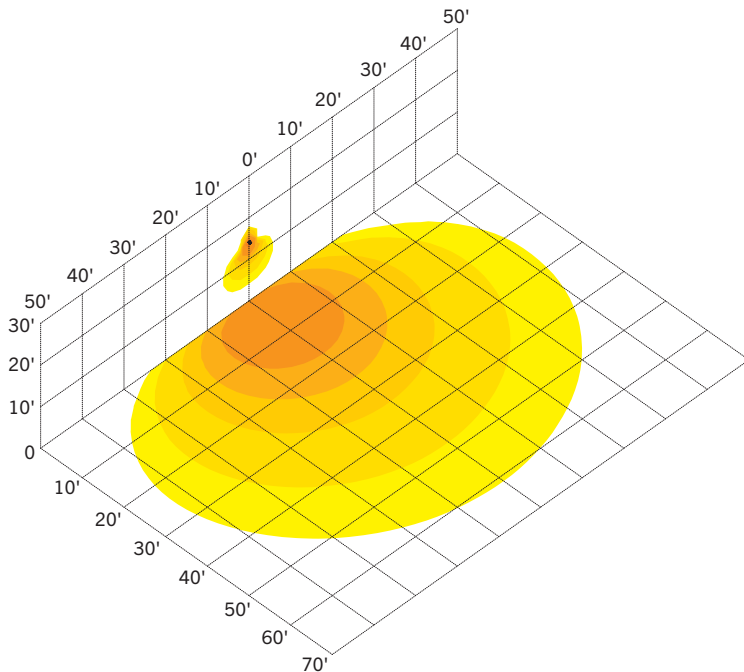
Zone	Lumens	% Luminaire
<b>Forward Light</b>	2,527 lm	53.2%
0°–30°	675 lm	14.2%
30°–60°	1,366 lm	28.8%
60°–80°	471 lm	9.9%
80°–90°	15 lm	0.3%
<b>Back Light</b>	2,181 lm	46.0%
0°–30°	656 lm	13.8%
30°–60°	1,223 lm	25.8%
60°–80°	297 lm	6.3%
80°–90°	5 lm	0.1%
<b>Up Light</b>	39 lm	0.8%
90°–100°	2 lm	0.0%
100°–180°	36 lm	0.8%

BUG* Rating	
<b>Asymmetrical Luminaire Types</b>	
Type I, II, III, IV	B2 U2 G1
<b>Quadrilateral Symmetrical Luminaire Types</b>	
Type V, Area Light	B2 U2 G1

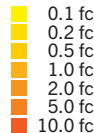
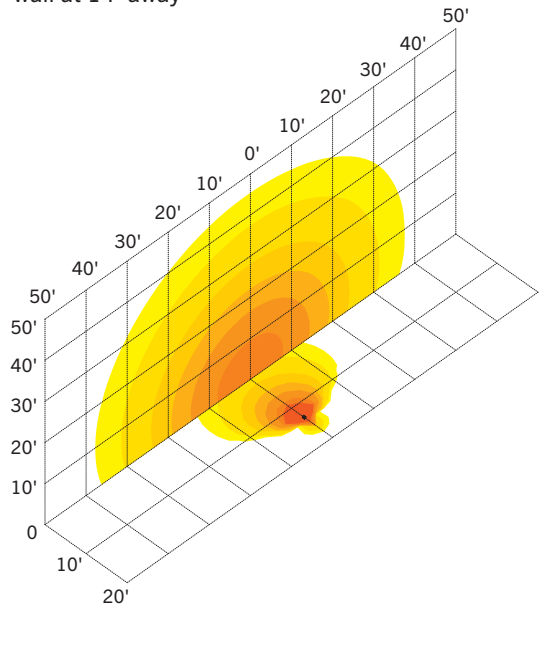
\* Backlight, Uplight, Glare

#### LIGHT DISTRIBUTION PATTERNS (Isometric view from above)

Building exterior mounted at 15', 30° below horizontal



Ground mounted at 6" above ground, 10° above horizontal, shining towards building exterior wall at 14' away



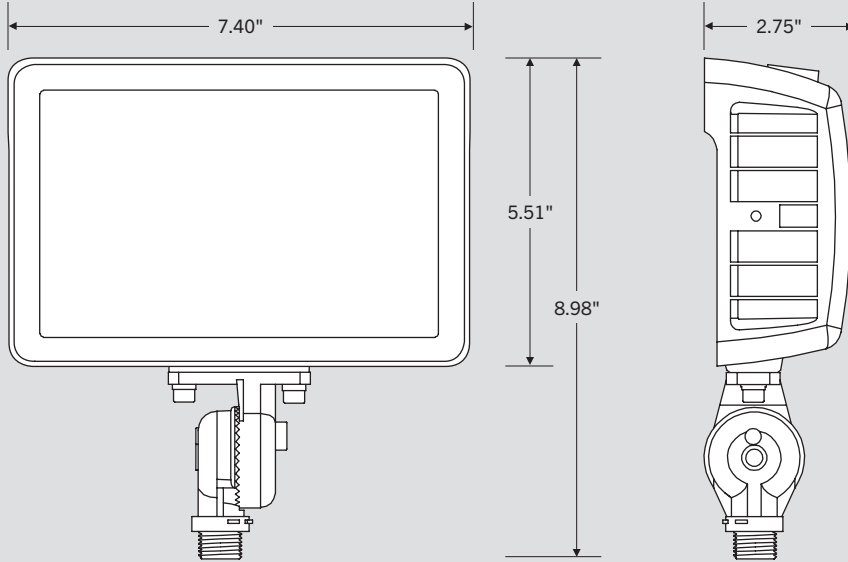


# KT-FLED35-R1A-UNV-8CSB-VDIM-W

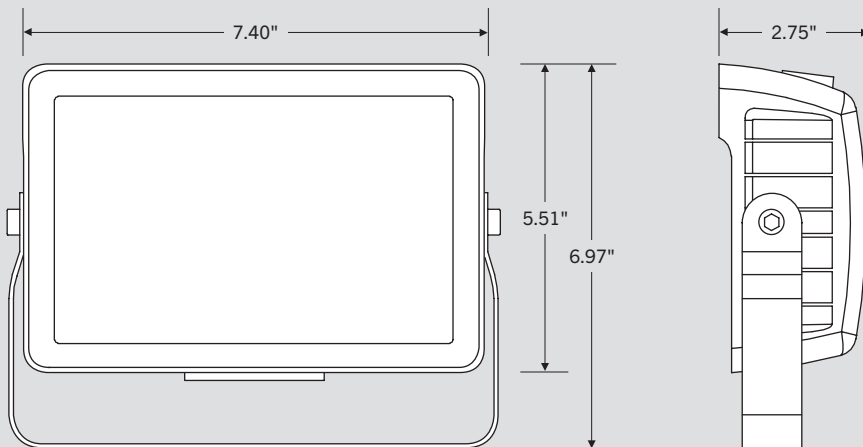
## COMPACT 35W GENERAL-PURPOSE LED FLOODLIGHT

### PHYSICAL SPECIFICATIONS

#### KNUCKLE MOUNT



#### YOKE MOUNT



	EPA
Mounted Vertical	0.34 sq/ft
Mounted Horizontal	0.17 sq/ft
Mounted 45°	0.36 sq/ft

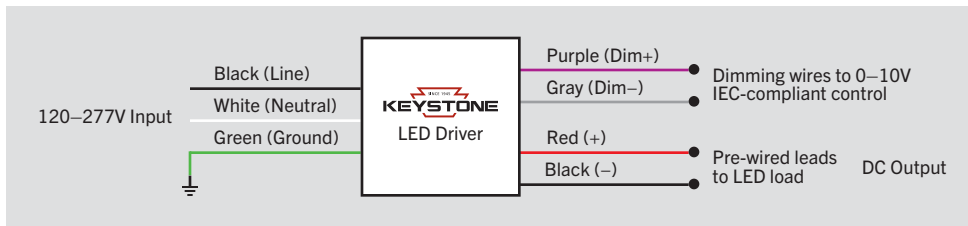


# KT-FLED35-R1A-UNV-8CSB-VDIM-W

## COMPACT 35W GENERAL-PURPOSE LED FLOODLIGHT

### GENERAL SETUP INSTRUCTIONS

#### GENERAL WIRING DIAGRAM



**Caution:** Before installing, make certain that AC power to the fixture is off.

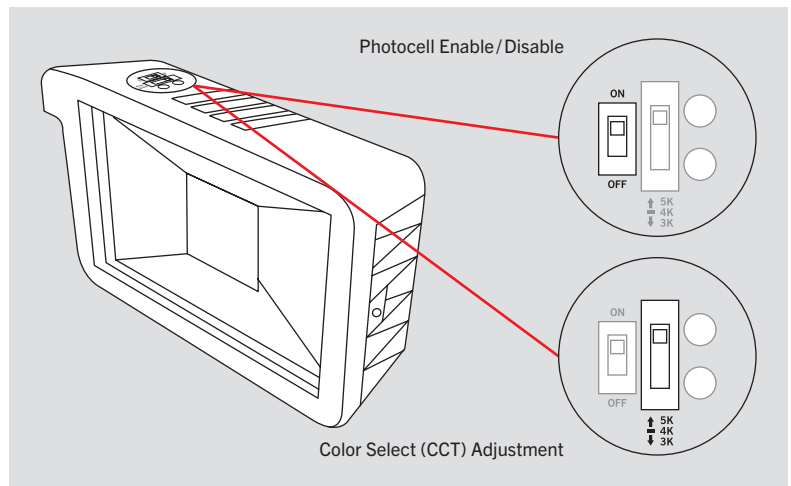
**Caution:** The electrical rating of this product is 120–277V. Installer must confirm that there is 120–277V at the fixture before installation.

#### PHOTOCELL ENABLE/DISABLE

This fixture is equipped with a dusk-to-dawn photocell behind the translucent knock-out (KO) cover. Adjust the dip switch to enable (ON) or disable (OFF) the photocell function (see illustrations to the right). Fixture comes pre-set with photocell enabled unless otherwise noted.

#### COLOR SELECT (CCT) ADJUSTMENT

This fixture is equipped with Color Select technology. There is an adjustable dip switch behind the translucent knock-out (KO) cover to change CCT between 5000K, 4000K, and 3000K (see illustrations to the right). Fixture comes preset at 5000K unless otherwise noted.

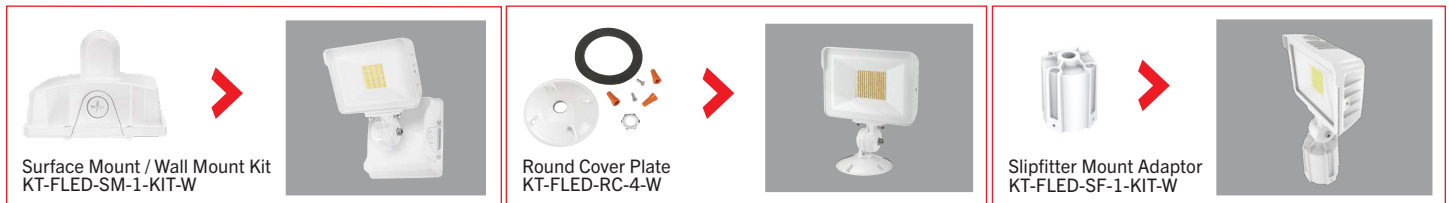


### ACCESSORIES (SOLD SEPARATELY)

#### MOUNTS AND BRACKETS

Field-Installable (field-installable options must be purchased separately)

✓	SUFFIX*	CATALOG NUMBER	DESCRIPTION	UPC	EASY CODE
	N/A	KT-FLED-SM-1-KIT-W	Surface Mount / Wall Mount Kit for Series 1 Flood Lights. Fits 15W thru 60W fixtures. Includes Mounting Hardware. White	843654140551	JNW-56
	N/A	KT-FLED-RC-4-W	Round Cover Plate for mounting Floodlights on 4" Round boxes. Includes Mounting Hardware. White	843654129174	UER-55
	N/A	KT-FLED-SF-1-KIT-W	Slip Fitter Mount Adaptor for 15W, 35W, and 60W Rectangular Series 1 LED Floodlight. White	843654153582	JJS-86





# KT-FLED35-R1A-UNV-8CSB-VDIM-W

## COMPACT 35W GENERAL-PURPOSE LED FLOODLIGHT

**ORDERING INFORMATION**

CATALOG NUMBER	PACK QTY.	UPC	EASY CODE	DLC PRODUCT ID
KT-FLED35-R1A-UNV-8CSB-VDIM-W	1	843654128979	VVC-22	PU3Z8U9L
				S-RMSTEV
				S-V0API2

**CATALOG NUMBER BREAKDOWN**

# KT-FLED35-R1A-UNV-8CSB-VDIM-W

1	2	3	4	5	6	7	8	9	10	11	12	13
<b>1</b> Keystone Technologies	<b>2</b> Fixture Type	<b>3</b> LED Lamp	<b>4</b> Max Wattage	<b>5</b> Shape	<b>6</b> Series Designation	<b>7</b> Distribution	<b>8</b> Mounting	<b>9</b> CRI	<b>10</b> Color	<b>11</b> Color Select Designation	<b>12</b> Dimming	<b>13</b> Housing Color
	F Flood			R Rectangular	1 General Purpose Floodlight	A NEMA 7H x 7V	UNV Universal	8 >80	CS Color Select	B 3000/4000/5000K	VDIM 0-10V	W White

*\*Note: Special order housing color options have extended lead times.*