

Technical Specifications (continued)

Other

Warranty:

RAB warrants that our LED products with special corrosion resistant powder coat finish will be free from defects in materials and workmanship for a period of five (5) years from the date of delivery to the end user, including coverage of light output, color stability, driver performance and fixture finish in corrosive environments up to C5-M classification. RAB's warranty is subject to all terms and conditions found at rablighting.com/warranty.

Trade Agreements Act Compliant:

This product is a product of Cambodia and a "designated country" end product that complies with the Trade Agreements Act

Buy American Act Compliance:

RAB values USA manufacturing! Upon request, RAB may be able to manufacture this product to be compliant with the Buy American Act (BAA). Please contact customer service to request a quote for the product to be made BAA compliant.

Electrical

Driver:

Constant Current, Class 2, 60 Hz, 120V: 0.04A

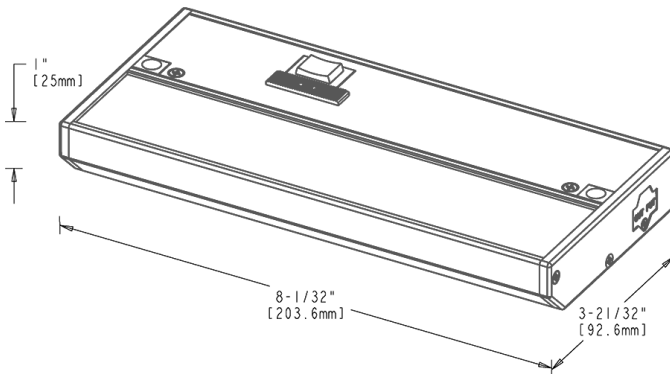
THD:

6.75% at 120V

Power Factor:

99% at 120V

Dimensions



Features

3 discrete color temperatures

Simple to connect multiple fixtures

Available in four sizes (8", 16", 24" and 32") and two color finishes (white & brown)

Compatible with common ELV & TRIAC dimmers

Ordering Matrix

Family	Length	Finish
KNOOKFA	8	W
	8 = 8"	Blank = Brown
	16 = 16"	W = White
	24 = 24"	
	32 = 32"	