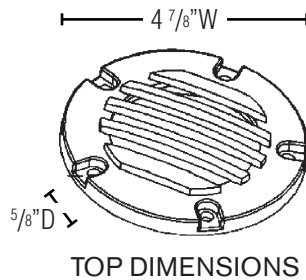




ETL LISTED
COMPLIES WITH UL1838



TOP DIMENSIONS

PROJECT	DATE
TYPE	CATALOG #

GRILL TOP

ADJUSTABLE IN GROUND IG-63-01B

KEY FEATURES

- SOLID CAST BRASS TOP
- GRILL TOP FOR GLARE REDUCTION
- WATER TIGHT RUBBER GASKET
- SILICONE PLUG AT WIRE LEAD
- TEMPERED, SHOCK AND HEAT RESISTENT LENS
- 25° ADJUSTABLE LAMP POSITION
- HIGH TEMPERATURE CERAMIC SOCKET
- FIELD REPLACEABLE LED LAMP

PRODUCT SPECIFICATIONS

DIMENSIONS	4-7/8" W X 5/8" D
MATERIAL	CAST BRASS TOP / PVC BODY
LENS	CLEAR FLAT TEMPERED
SOCKET	BI PIN
LAMP	MR16 (MAX 35W)
VOLTAGE	9-15V AC/DC
LEAD WIRE	38"
PROJECTION	UP TO 50 FT

STEP 1

FIXTURE CONFIGURATION

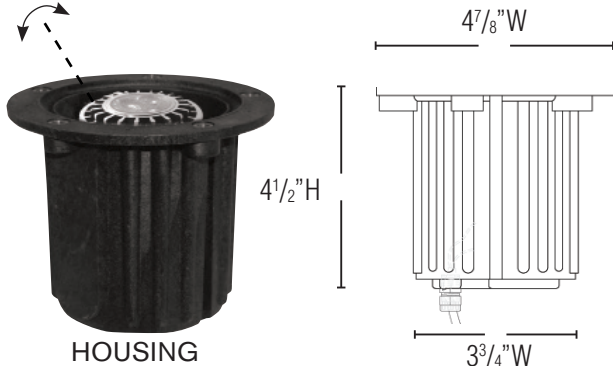
IG-63-01B

FINISH

NBZ NATURAL BRONZE

HOUSING DETAILS

adjustable



HOUSING

STEP 2

LED LAMP CONFIGURATION

LED-MR16

LED WATTAGE

3.5W 250 LM

4.5W 350 LM

5.5W 430 LM

KELVIN TEMPERATURE

27K 2700K

30K 3000K

41K 4100K

55K 5500K

BEAM ANGLE

15D 15° NARROW*

45D 45° STANDARD

60D 60° WIDE**

* 15° Only available in 5.5w - 3000k

** 60° Available in 3.5w, 4.5w, 5.5w, 2700k or 3000k

+ Consult factory for additional options



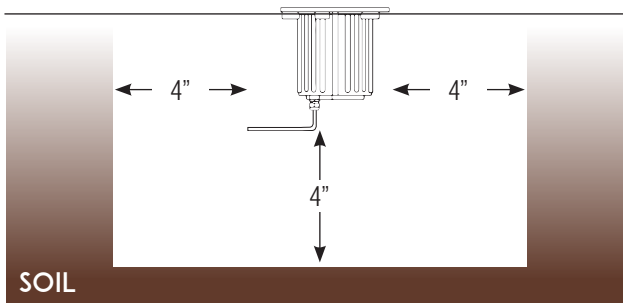
PROJECT	DATE
TYPE	CATALOG #

INSTALLATION INSTRUCTIONS

Pre-Installation Guidelines

All In Ground fixtures should be installed so that water will be able to drain away from the fixture. We recommend using pea gravel or sand as this will allow for superior drainage.

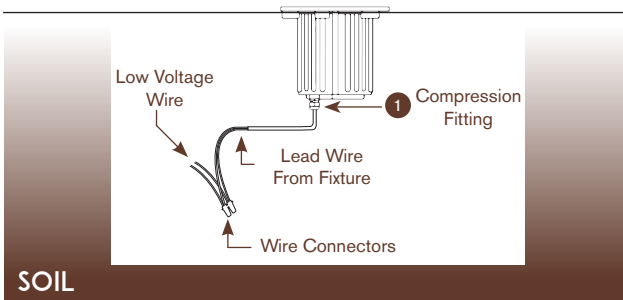
1 DIG HOLE



Dig hole approximately 1 ft. in diameter by 1 ft. deep.

Leave approximately 4 in. surrounding the fixture for sand or pea gravel.

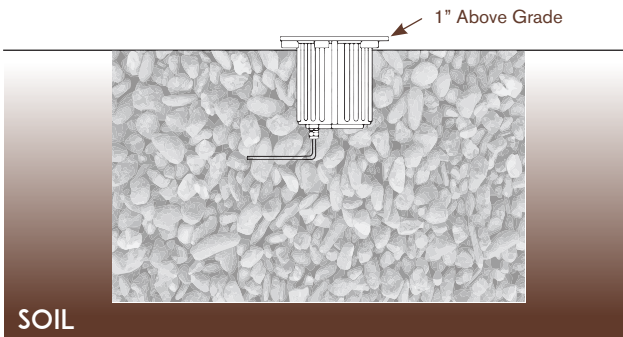
2 WIRE CONNECTION



Hand tighten compression fitting **1**
(Do not use tools and do not over tighten)

Install your lead wire from fixture to your low voltage wire using silicone filled wire connectors.

3 FILL HOLE



Fill hole with pea gravel or sand.

Adjust the fixture so that the top edge is above the grade by 1".

Install LED lamp inside fixture. (Adjust gimble ring to desired angle)

Tighten the (5) screws on the face of the base, insuring the gasket has a complete seal.

For optimum performance: Do not cover or surround well light with any leaves, mulch, bark or other material that could cause a fire or damage the lens.