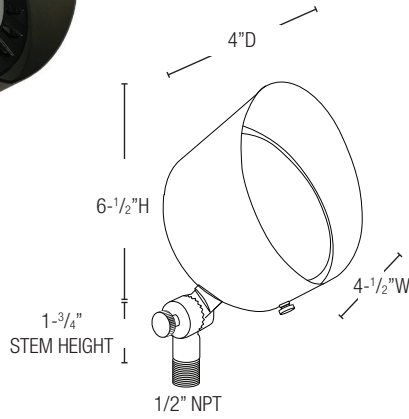




| | |
|---------|-----------|
| PROJECT | DATE |
| TYPE | CATALOG # |



OAK LITER

FL-117B

KEY FEATURES

- SOLID BRASS
- HIGH LUMEN LED OPTIONS
- NATURAL BRONZE FINISH GUARANTEED NOT TO CHIP, FLAKE OR PEEL
- TEMPERED, SHOCK AND HEAT RESISTENT LENS
- FIELD REPLACEABLE LED LAMP

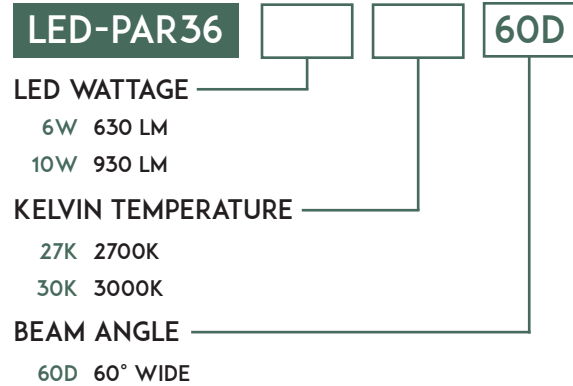
PRODUCT SPECIFICATIONS

| | |
|------------|--------------|
| MATERIAL | SOLID BRASS |
| LAMP | PAR36 |
| VOLTAGE | 12-24V AC/DC |
| PROJECTION | UP TO 50 FT |
| LEAD WIRE | 3 FT |

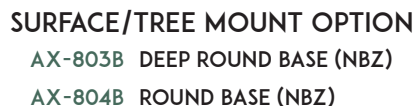
STEP 1 FIXTURE CONFIGURATION



STEP 2 LED LAMP CONFIGURATION



STEP 3 ACCESSORY OPTIONS



+ See accessory spec sheet for additional mounting options

+ Dimmable: See [PAR36 LED Lamps Spec Sheet](#) for additional details