

# FFLED Field-Adjustable Floodlights



## FFLEDS (Small)



## FFLEDM (Medium)



## FFLEDL (Large)



## Field-adjustable floodlight



0-10V



100,000 HOURS



WET RATED



IP RATING



FIELD ADJUSTABLE

PROJECT:

DATE:

TYPE:

PREPARED BY:



## KEY FEATURES

- \* Available in three different sizes:  
SMALL: **18W, 26W & 39W** selectable  
MEDIUM: **52W & 80W** selectable  
LARGE: **120W, 180W & 230W** selectable
- \* CCT: 3000K or selectable 4000K/5000K.
- \* **Knuckle** mount on small and medium fixtures
- \* **Slipfitter** and **Trunnion** available on medium and large fixtures
- \* Available in **bronze** and **white** finish
- \* UL listed for **wet location**
- \* **IP66** listed
- \* **0-10V** dimmable

## TECHNICAL SPECIFICATIONS

### COMPLIANCE

#### UL Listed

Suitable for wet locations. Suitable for mounting within 1.2m (4ft) of the ground.

#### DLC Listed

This product is listed by Design Lights Consortium (DLC) as an ultra-efficient premium product that qualifies for the highest tier of rebates from DLC Member Utilities. Designed to meet DLC 5.1 requirements.

#### IP Rating

Ingress protection rating of IP66 for dust and water

#### IESNA LM-79 & LM-80 Testing:

RAB LED luminaires and LED components have been tested by an independent laboratory in accordance with IESNA LM-79 and LM-80.

### LED CHARACTERISTICS

#### LEDS

Long-life, high-efficacy, surface-mount LEDs

#### Color Uniformity

RAB's range of Correlated Color Temperature follows the guidelines of the American National Standards for Specifications for the Chromaticity of Solid State Lighting (SLL) Products, ANSI C78.377-2017.

#### Color Consistency

7-step MacAdam Ellipse binning to achieve consistent fixture-to-fixture color.

### PERFORMANCE

#### Lifespan

100,000-hour LED lifespan based on IES LM-80 results and TM-21 calculations

### CONSTRUCTION

#### Cold Weather Starting

Minimum starting temperature is -40°C (-40°F)

#### Maximum Ambient Temperature

Suitable for use in up to 40°C (104°F)

#### Housing

Die-cast aluminum

#### Mounting

Small: Knuckle

Medium: Knuckle, Slipfitter, Trunnion

Large: Slipfitter, Trunnion

#### Tilt increment

Slipfitter: 5°

Trunnion: 30°

#### Lens

Ultra-clear tempered glass

#### Reflector

Vacuum metalized polycarbonate

#### Gaskets

High-temperature silicone

#### Green Technology

Mercury and UV free. RoHS-compliant components.

#### Finish

Formulated for high durability and long lasting color. Available in bronze & white finish.

#### IP Rating

Ingress protection of IP66 for dust and water

## TECHNICAL SPECIFICATIONS (CONTINUED)

### ELECTRICAL

#### Drivers:

Constant Current, Class 2, 120-277V, 50/60 Hz  
 Constant Current, Class 1, 480V, 50/60 Hz

#### FFLEDS (Small) @ 5000k/4000k

**18W:** 120V: 0.15A, 208V: 0.09A, 240V: 0.08A, 277V: 0.07A  
**26W:** 120V: 0.25A, 208V: 0.14A, 240V: 0.13A, 277V: 0.11A  
**39W:** 120V: 0.38A, 208V: 0.22A, 240V: 0.19A, 277V: 0.17A

#### FFLEDM (Medium) @ 5000k/4000k

**52W:** 120V: 0.44A, 208V: 0.25A, 240V: 0.22A, 277V: 0.19A  
**80W:** 120V: 0.67A, 208V: 0.39A, 240V: 0.34A, 277V: 0.29A

#### FFLEDL (Large) @ 5000k/4000k

**120W:** 120V: 1.00A, 208V: 0.58A, 240V: 0.50A, 277V: 0.44A  
**180W:** 120V: 1.50A, 208V: 0.87A, 240V: 0.75A, 277V: 0.65A  
**230W:** 120V: 2.10A, 208V: 1.20A, 240V: 1.10A, 277V: 0.91A

#### FFLEDL (Large) @ 480V

**120W:** 480V: 0.26A  
**180W:** 480V: 0.39A  
**230W:** 480V: 0.55A

#### Surge Protection

Small: 4kV  
 Medium: 6kV  
 Large: 6kV

### ELECTRICAL

#### Dimming Driver:

Driver includes dimming control wiring for 0-10V dimming systems.  
 Requires separate 0-10V DC dimming circuit. Dims down to 10%.

### OPTICAL

#### NEMA Type:

NEMA Beam Spread of 7H x 6V

### OTHER

#### Warranty

RAB warrants that our LED products will be free from defects in materials and workmanship for a period of ten (10) years from the date of delivery to the end user, including coverage of light output, color stability, driver performance and fixture finish. RAB's warranty is subject to all terms and conditions found at [rablighting.com/warranty](http://rablighting.com/warranty).

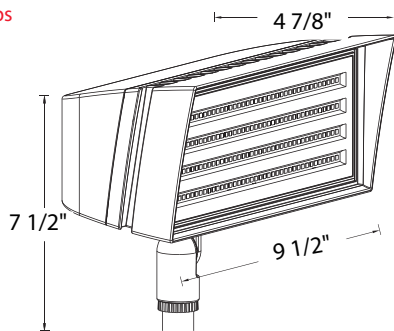
#### Buy American Act Compliance:

RAB values USA manufacturing! Upon request, RAB may be able to manufacture this product to be compliant with the BUY American Act (BAA). Please contact customer service to request a quote for the product to be made BAA compliant.

## DIMENSIONS

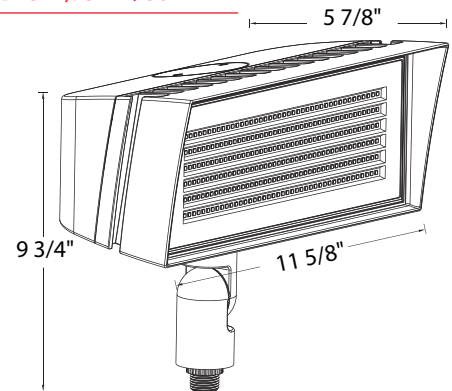
### FFLEDS (SMALL): 18W/26W/39W

Weight 5.3 lbs



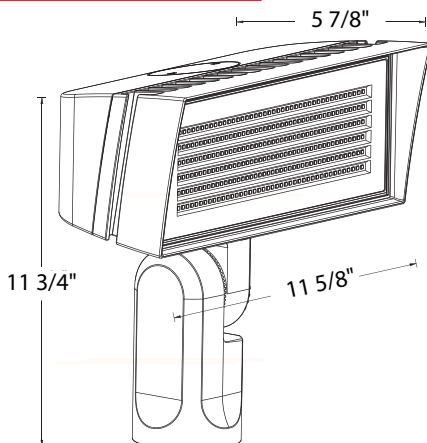
### FFLEDM (MEDIUM): 52W/80W

Weight 9.7 lbs



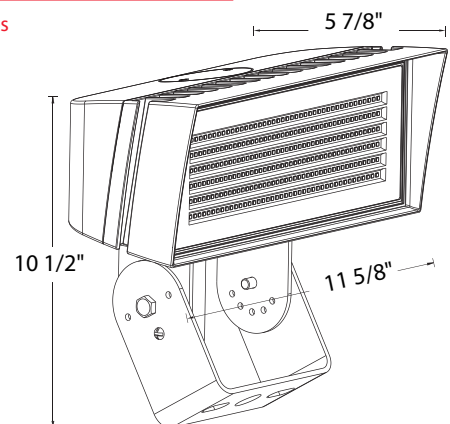
### FFLEDMSF (MEDIUM): 52W/80W

Weight 11 lbs



### FFLEDMT (MEDIUM): 52W/80W

Weight 12.3 lbs



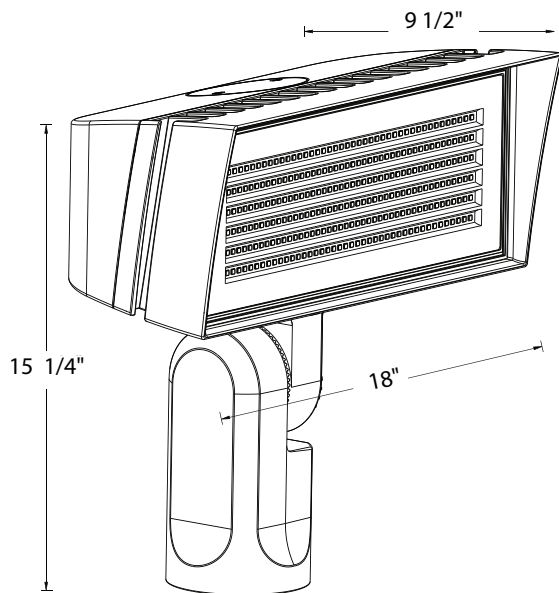
# FFLED Field-Adjustable Floodlights



## DIMENSIONS (CONTINUED)

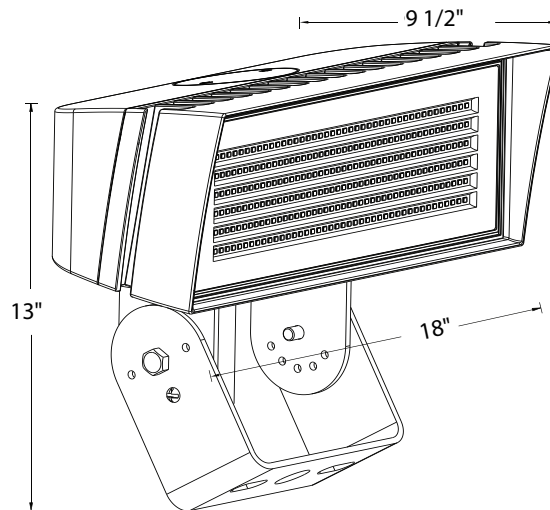
### FFLEDLSF (LARGE): 120W/180W/230W

Weight 27.5 lbs



### FFLEDLT (LARGE): 120W/180W/230W

Weight 27.9 lbs



## PERFORMANCE

FFLED Small	3000K	4000K	5000K	3000K	4000K	5000K	3000K	4000K	5000K
Wattage	18W	18W	18W	26W	26W	26W	39W	39W	39W
Input Watts	18.4W	18W	18W	32W	31.3W	31.2W	47W	46.4W	46W
Lumens	2515	2619	2615	4257	4461	4464	6048	6241	6243
Lm/W	136.3	145.8	145.4	133.2	142.4	142.9	128.7	134.5	135.8
CRI	82	83	82	82	82	82	82	82	82
Voltage Ratings	120-277V			120-277V			120-277V		

FFLED Medium	3000K	4000K	5000K	3000K	4000K	5000K
Wattage	52W	52W	52W	80W	80W	80W
Input Watts	55.8W	57.5W	56.4W	76W	77.0W	75.9W
Lumens	7467	8138	8290	9758	10440	10813
Lm/W	133.8	141.5	147.0	128.5	135.5	142.4
CRI	82	82	82	82	82	82
Voltage Ratings	120-277V			120-277V		

# FFLED Field-Adjustable Floodlights



## PERFORMANCE (CONTINUED)

FFLED Large	3000K	4000K	5000K	3000K	4000K	5000K	3000K	4000K	5000K
Wattage	120W	120W	120W	180W	180W	180W	230W	230W	230W
Input Watts	115.5W	117.5W	117.9W	189.9W	193.4W	193.7W	259.7W	260.5W	259.3W
Lumens	17411	18739	19048	27705	29444	29973	36140	38160	38662
Lm/W	150.8	159.5	161.6	145.9	152.2	154.7	139.2	146.5	149.1
CRI	83	83	82	82	82	82	82	82	82
Voltage Ratings	120-277V			120-277V			120-277V		

FFLED Large	3000K	4000K	5000K	3000K	4000K	5000K	3000K	4000K	5000K
Wattage	120W	120W	120W	180W	180W	180W	230W	230W	230W
Input Watts	105.7W	106.4W	105.4W	170W	171.9W	169.7W	253.9W	253.6W	252.8W
Lumens	15978	17066	17252	25291	26913	27233	36371	37983	39017
Lm/W	151.2	160.4	163.7	148.8	156.5	160.5	143.2	149.8	154.3
CRI	83	83	82	82	83	81	82	82	81
Voltage Ratings	480V			480V			480V		

## ORDERING MATRIX

### FFLED

Family	Housing Size	Color Temperature	Mounting	Finish	Voltage	Options
<b>FFLED</b>						
S Small (18W/26W/39W)		BLANK FA 5000K/4000K	BLANK Knuckle Mount <sup>1</sup>	BLANK Bronze	BLANK 120-277V	BLANK No Option
M Medium (52W/80W)		Y 3000K	SF Slipfitter <sup>2</sup>	W White	/480 480V <sup>3</sup>	/7PR 7 Pin Receptacle <sup>2</sup>
L Large (120W/180W/230W)			T Trunnion <sup>2</sup>			/PCU Universal Button Photocell <sup>1</sup>

<sup>1</sup> Available only for Small & Medium

<sup>2</sup> Available only for Medium & Large

<sup>3</sup> Available only for Large