

Plug-in Dimmer with Z-Wave Technology

decora smart™



APPLICATIONS

When using a compatible Z-Wave enabled controller, you can schedule or dim your plug-in lamps from anywhere. Automate plug-in lamps and holiday lighting without any new wiring - simply plug in the device and enroll it to the hub. Features two-way status updating for immediate notification and precise automation scheduling. The new lighting control accessories are engineered to function with extremely sensitive, low-wattage light sources, such as a single LED bulb in a hallway or a strand of holiday lights, ensuring LEDs do not glow when off. Reduce energy consumption, provide dramatic scene transitions, and utilize the wireless affordable plug-in for table and floor lamps.

The Plug-In Dimmer with Z-Wave Technology (DZPD3) is ideal for any residential setting where remote dimming of LED/CFL (up to 100W) and incandescent (up to 300W) is

needed. Also allows users to remotely control free-standing lamps individually or as part of a scene or zone grouping using compatible Z-Wave controllers.

Z-WAVE PLUS CERTIFICATION

- Increased communication range
- Network Wide Inclusion
- Support for beaming and secure commands
- Over The Air (OTA) updates

FEATURES AND BENEFITS

- Transient surge protection to IEC Level 4
- ESD protection to IEC 1000 4-2 Level 4 to protect against damage
- Indoor use
- Green LED locator
- Z-Wave® Plus certified and compatible
- Compatible with vizia rf + systems
- Frequency: 908.42 MHz

PLUG-IN DIMMING MODULE

- Provides polarized 300W-120VAC NEMA 5-15R grounding receptacle
- Provides manual ON/OFF
- Provides ON/OFF scene and zone control compatibility
- 2-way status updates
- Protected memory maintains ON/OFF status of loads and during minor power fluctuations
- Button for manual control and dimming

Leviton Manufacturing Co., Inc. Global Headquarters

201 N. Service Rd. Melville, NY 11747-3138 Tech Line: 1-800-824-3005 Fax: 1-800-832-9538

Leviton Manufacturing Co., Inc. Energy Management, Controls and Automation

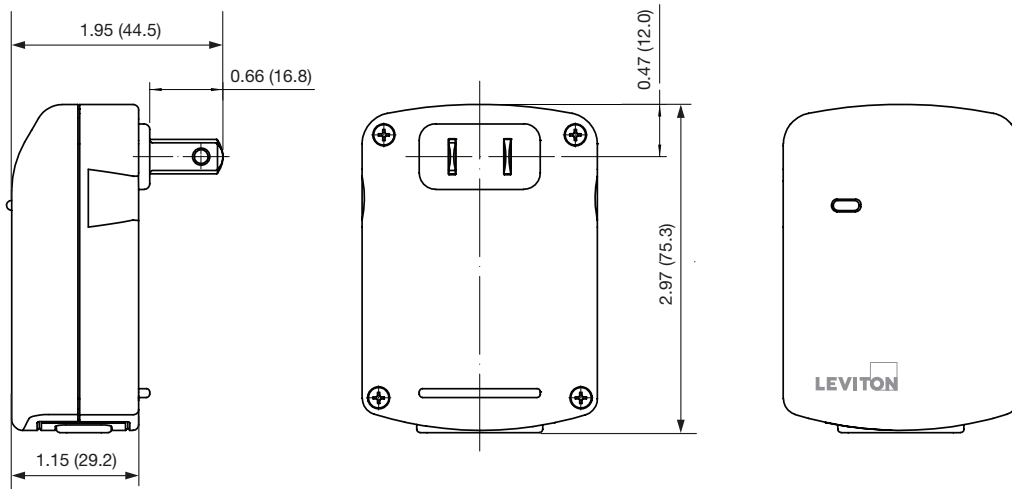
865 Fulton St., Suite 500, New Orleans, LA, 70130. Tel: 504-608-9001

Visit our Website at: www.leviton.com/decorasmart

©2019 Leviton Manufacturing Co., Inc. All rights reserved. Subject to change without notice.

DRAWING

DZPD3



RATINGS

- Incandescent - 300W - 120VAC, 60Hz
- LED/CFL - 100W - 120VAC, 60Hz

INSTALLATION CONSIDERATIONS

Designed for residential applications of up to 7,500 sq. ft.

AGENCY STANDARDS AND COMPLIANCE

- Complies with UL 1472
- CSA Certified (File #003413)
- NOM-ANCE Certified
- Complies with FCC Part 15, Class B
- Z-Wave® Plus Certified

WARRANTY INFORMATION

- Five-Year Limited Warranty

ORDERING INFORMATION

DESCRIPTION	CAT. NO.
Plug-in Dimmer with Z-Wave Technology - 120VAC 60Hz Incandescent, 300W, 2.5A LED/CFL; 100W	DZPD3-2BW

Leviton Manufacturing Co., Inc. Global Headquarters

201 N. Service Rd. Melville, NY 11747-3138 Tech Line: 1-800-824-3005 Fax: 1-800-832-9538

Leviton Manufacturing Co., Inc. Energy Management, Controls and Automation

865 Fulton St., Suite 500, New Orleans, LA, 70130. Tel: 504-608-9001

Visit our Website at: www.leviton.com/decorasmart

©2019 Leviton Manufacturing Co., Inc. All rights reserved. Subject to change without notice.

SAT-10053B
REV OCT 2019