

SPECIFICATION SHEET

PRODUCT # : CL-803-F

•Flexible Garden Light

• Aluminum & Steel

Fixture Specifications:

Head: Diecast aluminum.

Arm: Flexible steel black polyolefin shrink wrap arm, available in 12", 24" and 36" lengths.

Finish: Polyester UV powder coated. available in **BK-** Black

Lens: None.

Socket: Top grade bi-pin socket.

Lamp: 12V, MR-16, 50W max.
Available in LED (3.5W & 5W) or without lamp.
See the Lamp Guide below for more information.

Mounting: Standard injection molded spike with 1/2" NPT threaded female hub.

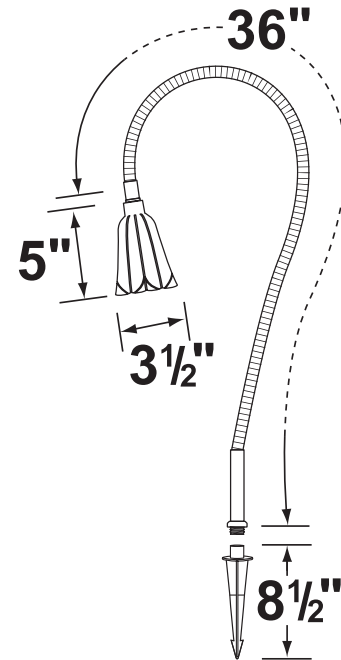
Wiring: Fixture is prewired with a 3ft direct burial cable. Wire connector sold separately. Universal connector (**CX-839**) and silicone filled wire nut (**CX-854**) are available from Corona Lighting.

Electrical Notes: A remote 12V transformer is required. Options are available from Corona Lighting. Voltage range for LED lamps are 9V-17V. Some assembly needed. Proper grease/lubricant is suggested on threaded parts during installation.

Warranty: Five (5) year warranty on fixture against manufacturer's defects.



LED
3.5W and 5W



AVAILABLE LED LAMPS (Corona LED lamps have a five (5) year limited warranty against manufacturer's defects)

LAMP NUMBER	WATTS	BEAM		COLOR & TEMP.	RATED HOURS	HALOGEN EQUIVALENT
		SPREAD	LUMEN			
L-ED16-3W-SP	3.5	15° Spot	270	2700K	50,000	25 Watt
L-ED16-3W-FL	3.5	45° Flood	270	2700K	50,000	25 Watt
L-ED16-3W-WF	3.5	60° Wide Flood	270	2700K	50,000	25 Watt
L-ED16-5W-SP	5	15° Spot	350	2700K	50,000	40 Watt
L-ED16-5W-FL	5	45° Flood	350	2700K	50,000	40 Watt
L-ED16-5W-WF	5	60° Wide Flood	350	2700K	50,000	40 Watt
L-ED16-COB5W-SP	5	15° Spot	450	2700K	50,000	50 Watt
L-ED16-COB5W-FL	5	38° Flood	450	2700K	50,000	50 Watt
L-ED16-COB5W-WF	5	60° Wide Flood	450	2700K	50,000	50 Watt
L-ED16-COB5W-SP3K	5	15° Spot	470	3000K	50,000	50 Watt
L-ED16-COB5W-FL3K	5	38° Flood	470	3000K	50,000	50 Watt
L-ED16-COB5W-WF3K	5	60° Wide Flood	470	3000K	50,000	50 Watt

■ Single color MR-16 LED available in AMBER, BLUE, GREEN, PURPLE, RED and VIOLET

JOB INFORMATION

TYPE: _____ DATE: _____

JOB NAME & ADDRESS: _____

PRODUCT #: _____

TOTAL QUANTITY: _____

LAMP TYPE & WATTAGE: _____

TRANSFORMER: _____

CONTRACTOR: _____

SPECIFIER: _____

• When ordering LED lamp with a fixture your part number should follow the format below:

• **CL** - **product #** - **Length** - **lamp** - **wattage** - **lamp angle**
CL - 803-F-BK - 12 - L-ED16 - 5W - FL

Example: CL-803-F-BK-12-L-ED16-5W-FL

• Corona Lighting reserves the right to make any change and/or improvement to the design and construction of this fixture without further notification.

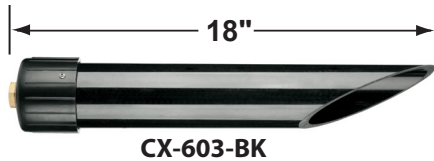
PRODUCT # : CL-803-F

•Flexible Garden Light

•Aluminum & Steel

Mounting Pedestals

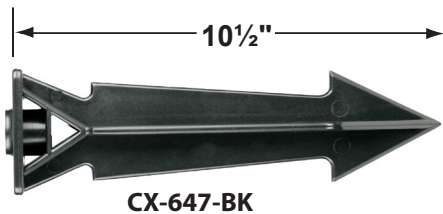
- CX-601-BK 1" PVC Mounting Pedestal, ½" NPT, **Black**
- CX-601-VG 1" PVC Mounting Pedestal, ½" NPT, **Verde Green**
- CX-603-BK 3" PVC Mounting Pedestal, ½" NPT Female Brass Hub on top, **Black**
- CX-603-VG 3" PVC Mounting Pedestal, ½" NPT Female Brass Hub on top, **Verde Green**



- CX-604-BK 1" PVC Adjustable Mounting Pedestal, ½" NPT, **Black**
- CX-621-BK 1" PVC Cap, ½" NPT, **Black**
- CX-621-VG 1" PVC Cap, ½" NPT, **Verde Green**
- CX-622-BK 2" PVC Cap, ½" NPT, **Black**
- CX-622-VG 2" PVC Cap, ½" NPT, **Verde Green**
- CX-624-BK 3" PVC Cap, ½" NPT Female Brass Hub, **Black**
- CX-624-VG 3" PVC Cap, ½" NPT Female Brass Hub, **Verde Green**

Ground Spikes

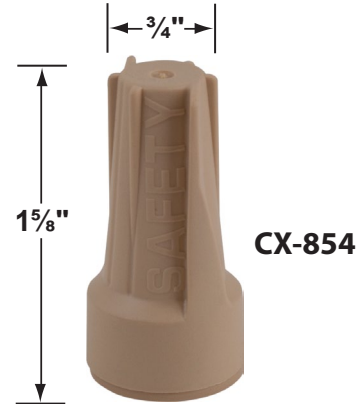
- CX-642-BK 8.5" ABS Spike, ½" NPT, **Black**
- CX-642-BZ 8.5" ABS Spike, ½" NPT, **Bronze**
- CX-643-BZ 8.5" ABS Spike, ½" NPT, **Bronze**



- CX-646-BK 8" ABS Spike, ½" NPT, **Black**
- CX-646-BR 8" ABS Spike, ½" NPT, **Natural Brass**
- CX-646-SS 8" ABS Spike, ½" NPT, **Stainless Steel**
- CX-647-BK 10.5" Heavy Duty ABS Spike, ½" NPT, **Black**

Cable Connectors

- CX-854 Direct Burial Silicone Filled Wire Nut, **Tan**
- CX-858 Speedy Cable Connector, Supply Cable up to 10-2, **Black**
- CX-839 Universal cable connector, Supply cable up to 8-2, one/Pack **Black**



Special Lenses & Honeycomb Louvers

- CX-238 MR-16 Snap-on holder, **Silver Plated**
- CX-239 MR-16 honeycomb louver, **Black**
- CX-240-AM MR-16 color lens, **Amber**
- CX-240-BL MR-16 color lens, **Blue**
- CX-240-GR MR-16 color lens, **Green**
- CX-240-RD MR-16 color lens, **Red**
- CX-240-YL MR-16 color lens, **Yellow**
- CX-241 MR-16 lens, **Linear Spread**
- CX-242 MR-16 lens, **Frosted**
- CX-243 MR-16 lens, **Prismatic**

•For MR-16 Lenses and Louvers, you will need the CX-238

