

SPECIFICATION SHEET

PRODUCT # : CL-533B-AB

• Directional Lights

• Cast Brass

Fixture Specifications:

Housing & Shroud: Corrosion Resistant Cast Brass.

Finish: **AB- Antique Bronze.** Natural toning process. AB finish will vary due to artistic process. Also available in **GM- Gun Metal** finish

Lens: Frosted and heat resistant tempered flat glass, supplied with extra clear glass lens, linear glass lens, and honey comb louver

Socket: Top grade fixed ceramic bi-pin socket.

Lamp: 12V T3, 35W max. Available in LED (2W & 2.5W) or without lamp. See the Lamp Guide below for more information.

Wiring: Fixture is prewired with a 5-ft 18-2 SPT2-W direct burial cord. Wire connector sold separately. Universal connector (**CX-839**) and silicone filled wire nut (**CX-854**) are available from Corona Lighting.

Gasket: Silicone gasket for water tight sealing

Knuckle: Adjustable cast brass knuckle with thumb screw and 1/2" NPT threaded male hub on bottom.

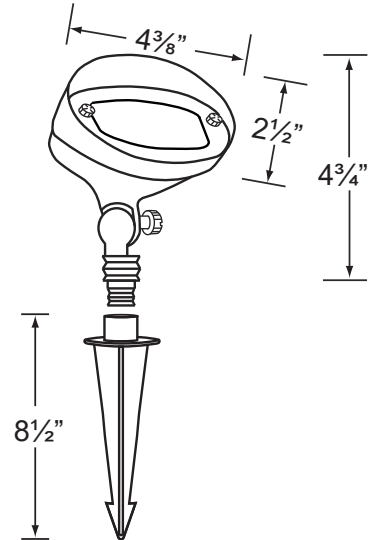
Mounting Spike: Standard injection molded spike with 1/2" NPT threaded female hub.

Electrical Notes: A remote 12V transformer is required. Options are available from Corona Lighting. Voltage range for LED lamps are 8V-21V. Proper grease/lubricant is suggested on threaded parts during installation process.

Warranty: Limited lifetime warranty on fixture housing against manufacturer's defects.



2W and 2.5W



AVAILABLE LED LAMPS (Corona LED lamps have a five (5) year limited warranty against manufacturer's defects)

LAMP NUMBER	WATTS	BEAM		COLOR & TEMP.	RATED HOURS	HALOGEN EQUIVALENT
		SPREAD	LUMEN			
L-EDT3-2W	2	360°	200	2700K	25,000	20 Watt
L-EDT3-2.5W	2.5	180°	240	2700K	25,000	35 Watt
L-EDT3-2W-3K	2	360°	210	3000K	25,000	20 Watt
L-EDT3-2.5W-3K	2.5	180°	250	3000K	25,000	35 Watt
L-EDT3-AM*	2	360°	170	2000K	25,000	20 Watt

* AM- Amber color

For more additional Lamps, and accessories visit Coronalighting.com

JOB INFORMATION

TYPE: _____ DATE: _____

JOB NAME & ADDRESS: _____

PRODUCT #:

TOTAL QUANTITY:

LAMP TYPE & WATTAGE:

TRANSFORMER:

CONTRACTOR:

SPECIFIER:

• When ordering LED lamp with a fixture your part number should follow the format below:

• **CL** - product # - **lamp** - wattage
CL - 533B-AB - L-EDT3 - 2W-3K

Example: CL-533B-AB-L-EDT3-2W-3K

• Corona Lighting reserves the right to make any change and/or improvement to the design and construction of this fixture without further notification.

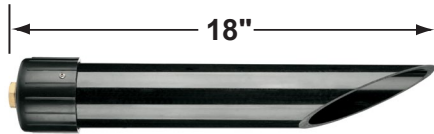
PRODUCT # : CL-533B-AB

•Directional Lights

•Cast Brass

Mounting Pedestals

- CX-601-BK 1" PVC Mounting Pedestal, 1/2" NPT, **Black**
- CX-601-VG 1" PVC Mounting Pedestal, 1/2" NPT, **Verde Green**
- CX-603-BK 3" PVC Mounting Pedestal, 1/2" NPT Female Brass Hub on top, **Black**
- CX-603-VG 3" PVC Mounting Pedestal, 1/2" NPT Female Brass Hub on top, **Verde Green**

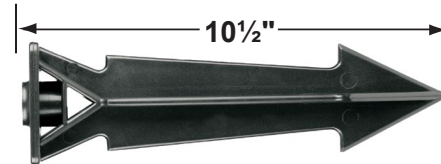


CX-603-BK

- CX-604-BK 1" PVC Adjustable Mounting Pedestal, 1/2" NPT, **Black**
- CX-621-BK 1" PVC Cap, 1/2" NPT, **Black**
- CX-621-VG 1" PVC Cap, 1/2" NPT, **Verde Green**
- CX-622-BK 2" PVC Cap, 1/2" NPT, **Black**
- CX-622-VG 2" PVC Cap, 1/2" NPT, **Verde Green**
- CX-624-BK 3" PVC Cap, 1/2" NPT Female Brass Hub, **Black**
- CX-624-VG 3" PVC Cap, 1/2" NPT Female Brass Hub, **Verde Green**

Ground Spikes

- CX-642-BK 8.5" ABS Spike, 1/2" NPT, **Black**
- CX-642-BZ 8.5" ABS Spike, 1/2" NPT, **Bronze**
- CX-643-BZ 8.5" ABS Spike, 1/2" NPT, **Bronze**



CX-647-BK

- CX-646-BK 8" ABS Spike, 1/2" NPT, **Black**
- CX-646-BR 8" ABS Spike, 1/2" NPT, **Natural Brass**
- CX-646-SS 8" ABS Spike, 1/2" NPT, **Stainless Steel**
- CX-647-BK 10.5" Heavy Duty ABS Spike, 1/2" NPT, **Black**

Mounting Risers

- CX-682B-AB 6" Brass Riser, 1/2 NPT Male/Female, **Antique Bronze**
- CX-683B-AB 12" Brass Riser, 1/2 NPT Male/Female, **Antique Bronze**
- CX-684B-AB 18" Brass Riser, 1/2 NPT Male/Female, **Antique Bronze**
- CX-685B-AB 24" Brass Riser, 1/2 NPT Male/Female, **Antique Bronze**



CX-682B-AB 6"



CX-683B-AB 12"



CX-684B-AB 18"



CX-685B-AB 24"

Mounting Canopies

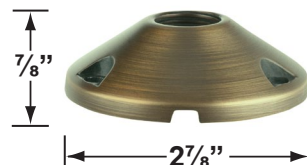
- CX-705B-AB Brass Flat Canopy, 1/2 NPT, **Antique Bronze**
- CX-709B-AB Brass Raised Canopy, 1/2 NPT, **Antique Bronze**
- CX-718B-AB 5" Brass Canopy, 3-Hole 1/2 NPT, **Antique Bronze**
- CX-719B-AB Brass Tree Mounting Bracket, 1/2" NPT, **Antique Bronze**
- CX-720-BR Brass Tree mount Canopy with 9" Rubber Strap stretches to 14, **Natural Brass**
- CX-721-BR Brass Tree mount Canopy with 15" Rubber Strap stretches to 22", **Natural Brass**
- CX-722-BR Brass Tree mount Canopy with 22" Rubber Strap stretches to 33", **Natural Brass**
- CX-723-BR Brass Tree mount Canopy with 31" Rubber Strap stretches to 45", **Natural Brass**
- CX-724-BR Brass Tree mount Canopy with 41" Rubber Strap stretches to 61", **Natural Brass**



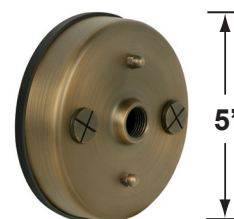
CX-719B-AB



CX-709B-AB



CX-705B-AB



CX-718B-AB



CX-722-BR

PRODUCT # : CL-533B-AB

•Directional Lights

•Cast Brass

Mounting Posts For Sign Light & Path Light Applications

- CX-678B-AB 24" Brass Single Head Post, **Antique Bronze**
- CX-679B-AB 24" Brass Double Head Post, **Antique Bronze**
- CX-690B-AB 18" Brass Single Head Post, **Antique Bronze**
- CX-693B-AB 18" Brass Double Head Post, **Antique Bronze**

•CX-718B-AB (Mounting Canopies pg 2) is required for sign light installation.

Cable Connectors

- CX-854 Direct Burial Silicone Filled Wire Nut, **Tan**
- CX-858 Speedy Cable Connector, Supply Cable up to 10-2, **Black**
- CX-839 Universal cable connector, Supply cable up to 8-2, one/Pack **Black**

